

CABLE-LOK™ FOR TENDERS/SPREADERS
CABLE-LOK™ FOR TENDERS/SPREADERS
CABLE-LOK™ FOR TENDERS/SPREADERS
CABLE-LOK™ FOR TENDERS/SPREADERS



AGRICULTURE DIVISION



DESIGNED TO ENDURE CORROSIVE PRODUCT

A009FL-0315

From seed to blended fertilizer to micronutrients, the Cable-Lok™ provides waterproof protection when it's crucial that loads stay dry. Its stainless steel and powder-coated components are designed to stand up to the most corrosive environments.

All of that stainless steel and powder coating come standard, adding durability and lasting performance by helping to reduce the corrosion problems that go hand in hand with hauling fertilizer. An ideal upgrade is our flexible easy-off tarp stop. It's also corrosion resistant, with just the right amount of give, even in subzero temperatures.

Key Features: No-Weld Install, Powder-Coated Easy-Off Tarp Stops w/Stainless Bodies, Stainless Bows/Brackets, Stainless End Caps, Stainless 1" Ridge Strap, Stainless Tele-scoping/Indexing Crank, Telescoping Nylon Crank Retainer, Spool w/Stainless Cable and Zinc-Plated Ratchets, Aluminum Roll Tube w/Channeled Tarp Attachment, Stainless Fixed Tube, 18-Oz. Vinyl Tarp.



For more information, contact:

www.shurco.com

CABLE-LOK™ BOX DETAILS | For Fertilizer Tenders and Spreaders

Cable-Lok™ tarps are custom made to order and are nonreturnable. The correct measurements are essential for proper tarp fit. Please provide all requested information or your order may be delayed.

Please do not use universal box sizes; always use the actual physical measurements. Box size and finished tarp size are not the same.

MAKE _____ MODEL _____ YEAR _____

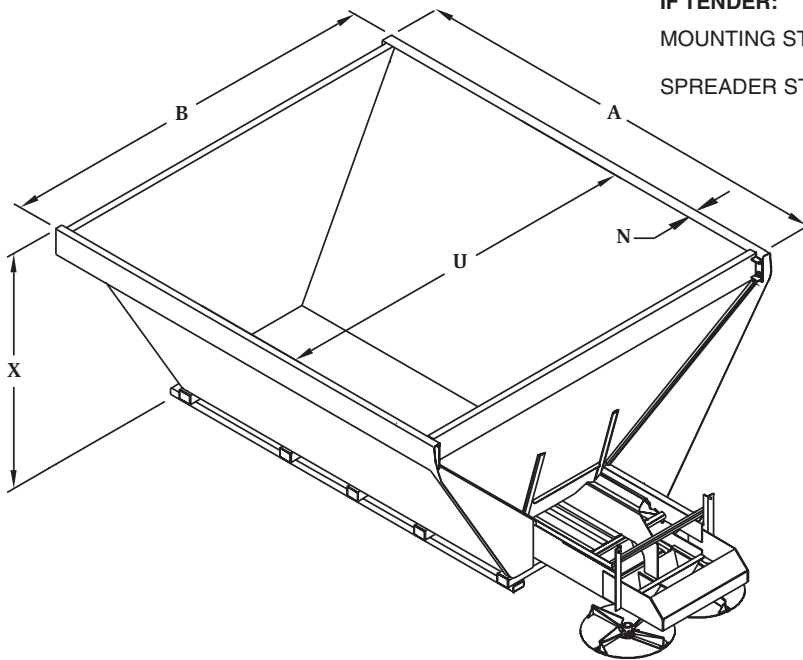
- A _____ UPPER BOX LENGTH
 B _____ UPPER BOX WIDTH
 N _____ TOP RAIL WIDTH
 U _____ INSIDE BOX WIDTH
 X _____ OUTSIDE BOX HEIGHT FROM GROUND
- LIP IN LIP OUT

IF SPREADER:

- GRANULAR BIN: INSIDE BOX OUTSIDE BOX
- SPREADER STYLE: SELF-PROPELLED AIR SYSTEM
 SPINNER PULL-TYPE SPINNER

IF TENDER:

- MOUNTING STYLE: TRUCK TENDER
- SPREADER STYLE: REAR
 SIDE-FOLD REAR
 REAR OVER BOX



REPLACEMENT TARP BOX DETAILS

TYPE OF TARP BEING REPLACED

- CABLE-LOK™ W/CHANNEL
 OTHER W/CHANNEL OTHER BRAND _____
 OTHER W/RIVETS No. Rivets _____ Outer Hole Distance _____

_____ FINISHED SEWN TARP LENGTH

_____ FINISHED SEWN TARP WIDTH

TYPE OF CAP MEASURED

- FACE MOUNT TOP MOUNT

CR _____ END CAP RISE

CD _____ END CAP DEPTH Front _____ Rear _____

_____ OUTSIDE END CAP TO END CAP LENGTH

_____ BOX WIDTH

_____ BOX LENGTH

