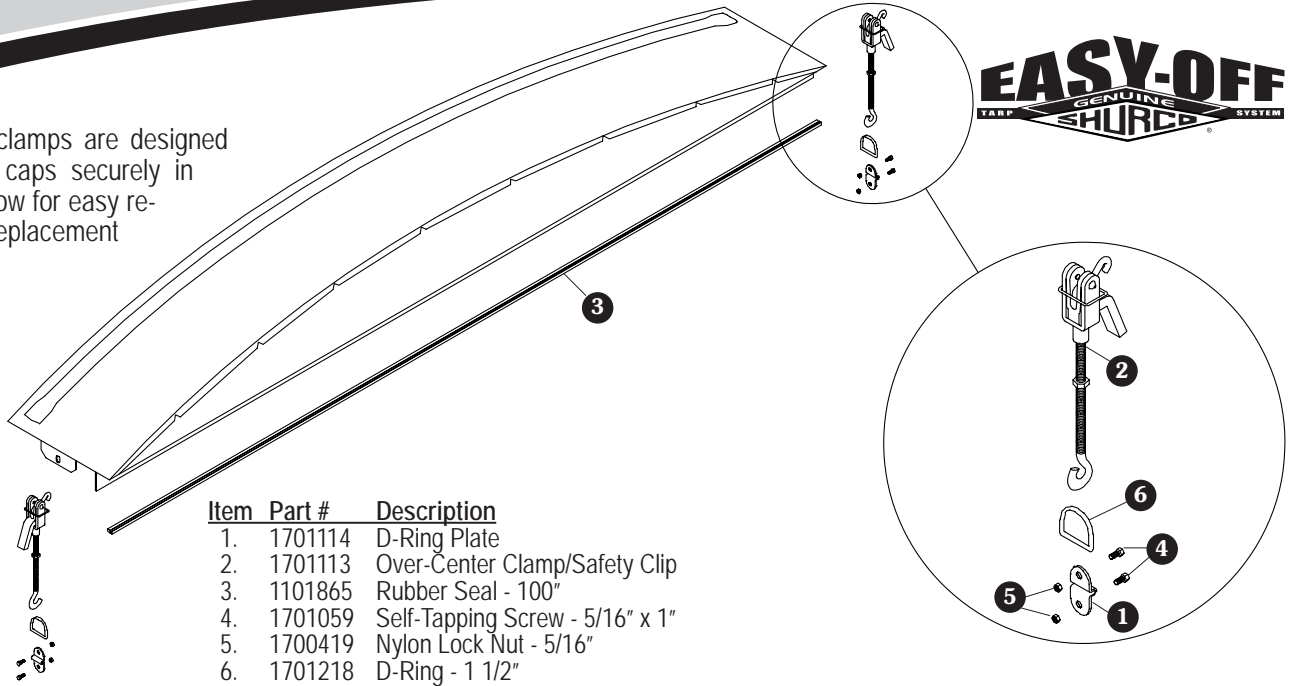


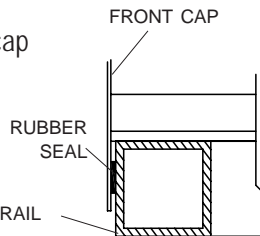
Over-center clamps are designed to hold end caps securely in place and allow for easy removal and replacement of caps.



Item	Part #	Description
1.	1701114	D-Ring Plate
2.	1701113	Over-Center Clamp/Safety Clip
3.	1101865	Rubber Seal - 100"
4.	1701059	Self-Tapping Screw - 5/16" x 1"
5.	1700419	Nylon Lock Nut - 5/16"
6.	1701218	D-Ring - 1 1/2"

STEP 1: Deburr rough edges on truck and clean area thoroughly before applying rubber seal.

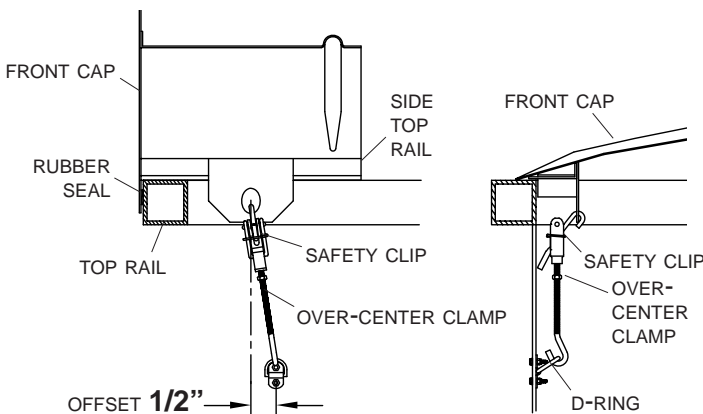
STEP 2: Apply rubber seal to front cap (front cap has 2" windshield).



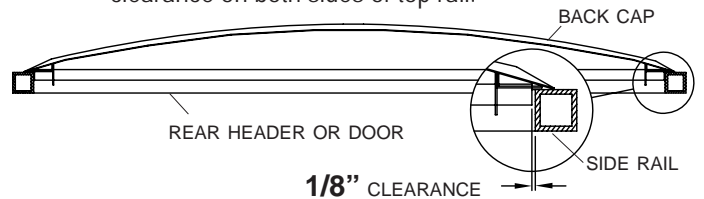
STEP 3: Place front cap on box.

NOTE: Do not apply rubber seal in temperatures below 60°F or above 100°F or adhesive may fail. Apply seal without stretching.

STEP 4: Locate clamps in area free from obstructions. Offset D-ring 1/2" from center of cap.

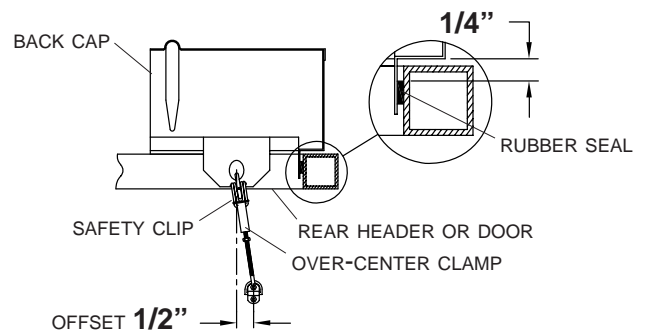


STEP 5: Place back cap on box. Notch inside drop to allow 1/8" clearance on both sides of top rail.



STEP 6: Remove cap. Apply rubber seal 1/4" down from flat portion of cap above drop.

STEP 7: Replace cap, locate over-center clamps in area free from obstructions and offset D-ring 1/2" from center of cap.



CAUTION

1. Close tarp before driving vehicle.
2. Safety clips MUST be in place while truck is in motion.