



TARPING SYSTEMS & ACCESSORIES

P/N 1106720 Rev. C

OWNER'S MANUAL



Turning Point™ Bow System

READ BEFORE INSTALLING

PO BOX 713 ■ 2309 SHUR-LOK STREET ■ YANKTON, SD 57078-0713
PHONE 1-800-4-SHUR-LOK (1-800-474-8756) ■ FAX 605-665-0501
www.shurco.com

SHOP ONLINE: www.shopshurco.com

SHIPPING. Orders are shipped F.O.B. from the Shur-Co®, LLC sites listed below. No full freight is allowed or prepaid shipment accepted unless quoted and approved in writing prior to acceptance of the order. All shipments are made by the most reasonable means in accordance with size and weight of order, unless specified routing instructions are furnished by the customer. Shipments are made daily via U.P.S. and common carrier. Claims for shortages must be made within 10 days. All claims for damages or loss in transit must be made with the carrier. No collect calls will be accepted. To ensure delivery of orders, we need your full street address and phone number. When you receive your shipment, examine it carefully. Be sure all cartons listed on the delivery sheet are accounted for. Large items may be packaged separately. If a carton is damaged, open it and inspect the contents before signing for delivery. If merchandise is damaged, describe damage on the delivery receipt. Failure on your part to document damaged or missing merchandise on the delivery receipt releases the carrier of all liability; repair or replacement will be the customer's responsibility.

WARRANTY. We warrant all new products are free of defects in materials and workmanship.* This warranty is effective if products are properly installed and used for the purpose for which they were intended and applies to the original buyer only. Except as set forth above or in any product-specific warranty documentation, we make no other warranties, express or implied, including but not limited to warranties of merchantability of fitness for a particular use.

Returns of a product for warranty must be accompanied by a Return Merchandise Authorization number (RMA#), obtained by calling Customer Service at 866-748-7435, and sent, with freight paid by us, to Shur-Co®, LLC, 2309 Shur-Lok St., PO Box 713, Yankton, SD 57078. All products returned without an RMA# will be refused. When we issue the RMA#, we will also issue a call tag to have UPS (or other freight company) pick up the product. C.O.D. returns not accepted. We will pay no storage fees for a warranty product return prior to pick by us or the freight company. If a warranty product return is scheduled to be picked up by us, we will pick up the product at our earliest convenience.

If a product returned is found, in our judgement, to be defective in material or workmanship, our obligation under this warranty is limited to the repair or replacement of the product, which will be made by us. Repair or replacement will be at our discretion, with replacements being made using current products performing in the equivalent function. Labor charges, other than those incurred at our factory, including, but not limited to, any labor to install a repaired or replacement product, are not covered under this warranty. All expenses associated with delivering defective products to our factory and delivering repaired or replacement products from our factory to the owner will be paid by us.

If the product returned is found, in our judgement, to be non-warrantable, the owner will be contacted to authorize repair work, purchase of a replacement product or return of the product, all of which will be at the owner's expense. Payment authorization must be received by us before any non-warrantable product is repaired, replaced or returned. All expenses associated with delivering the repaired non-warrantable product, a replacement product or the non-warrantable product from our factory to the owner will be paid by the owner.

In no event will we be liable for any damages of any kind to person, product or property, including but not limited to indirect, incidental, special, consequential or punitive damages, or damages for loss of profits or revenue, even if we have been advised of the possibility of such damages. There are no warranties for used products or products that have been repaired, altered, modified or subjected to misuse, negligence or accident. We will not repair or replace products that fail or malfunction due to ordinary wear and tear, except as expressly noted in a product-specific warranty. Use of non-Shur-Co®, LLC parts in conjunction with Shur-Co®, LLC products will void this product warranty.

*Certain products have specific warranties that differ from this warranty, for example motors and electronics. Product-specific warranty documentation is available for these items. In the event of a conflict between this warranty and a product-specific warranty, the product-specific warranty will govern.

RETURN POLICY. All sales final. See WARRANTY above for return details.

OTHER. All prices, product listings, sizes, weights and manufacturing details are subject to change without notice. No person is authorized to modify the foregoing conditions of sale whatsoever.

SHUR-CO®, LLC SERVICE AND DISTRIBUTION CENTERS

Corporate HQ and Outlet Store

SHUR-CO® of SOUTH DAKOTA
2309 Shur-Lok St., PO Box 713
Yankton, SD 57078-0713
Ph 800.474.8756 | Fax 605.665.0501

ShurTite™ Service Centers

SHUR-CO® of CANADA
490 Elgin St., Unit #1
Brantford, Ontario N3S 7P8
Ph 800.265.0823 | Fax 519.751.3997

SHUR-CO® of SIOUX FALLS
47184 258th St., Suite B
Sioux Falls, SD 57107
Ph 844.573.9322 | Fax 605.543.5469

SHUR-CO® of COLORADO
10220 Brighton Rd., Unit #1
Henderson, CO 80640
Ph 866.355.9173 | Fax 303.289.2298

SHUR-CO® of FLORIDA
3353 SE Gran Park Way
Stuart, FL 34997
Ph 800.327.8287 | Fax 772.287.0431

SHUR-CO® of ILLINOIS
3993 E. Mueller Ave.
Decatur, IL 62526
Ph 866.356.0246 | Fax 217.877.8270

SHUR-CO® of IOWA
3839 Midway Blvd.
Ft. Dodge, IA 50501
Ph 866.356.0245 | Fax 515.576.5578

SHUR-CO® of MICHIGAN
5100 Lakeshore Dr.
Lexington, MI 48450
Ph 800.327.8287 | Fax 772.287.0431

SHUR-CO® of NORTH DAKOTA
1746 4th Ave. NW, Unit A
West Fargo, ND 58078
Ph 877.868.4488 | Fax 701.277.1283

SHUR-CO® of OHIO
1100 N. Freedom, St. Rt. 88 & 14
Ravenna, OH 44266
Ph 866.356.0242 | Fax 330.297.5599

SHUR-CO® of OKLAHOMA
1604 East US Hwy 66
El Reno, OK 73036
Ph 866.356.0243 | Fax 405.262.3842

SHUR-CO® of TEXAS
34505 I-10 West, S. Frontage Rd.
Brookshire, TX 77423
Ph 866.689.0039 | Fax 281.934.3311


SHUR-CO® UK, Ltd.
Unit 41 Rochester Airport Estates
Laker Rd., Rochester, Kent ME1 3QX
Ph +44 (0)1795.473499
Fax +44 (0)871.272.8278

For more information, log on to our website:

www.shurco.com

MESSAGE TO OWNERS

Thank you for buying this tarping system from Shur-Co® We appreciate your confidence in our products. Please read and thoroughly understand this manual before installing and/or operating this system.

Pay particular attention to important safety and operating instructions, as well as warnings and cautions. The hazard symbol  is used to alert users to potentially hazardous conditions and is followed by caution, warning or danger messages.

Failure to READ AND FOLLOW INSTRUCTIONS could result in failure of your tarping system and/or personal injury. Your trailer requirements may, however, call for minor variations to these instructions.

Please inspect your tarping system periodically. Repair or replace worn or damaged parts to your system.

The full list of complete owner's manuals can be found on Shur-Co's website. Please go to: <http://www.shurco.com>

QUESTIONS? CALL OUR HELP LINE:

1-866-748-7435

MON - FRI 8 AM - 5 PM CENTRAL TIME

SAFETY

We at Shur-Co® are concerned with your safety and the safety of all those operating this system. Therefore, we have provided safety decals at various locations on your tarping system. Keep decals as clean as possible at all times. Replace any decal that has become worn or damaged, painted over or otherwise difficult to read. Replacement decals are available through Shur-Co® dealers.

! SAFETY INSTRUCTIONS

1. **Always wear safety glasses during installation.**
2. **Keep body and clothing clear of moving parts.**
3. **Do not operate under potentially dangerous obstacles.**
4. **Return bows to secure position after operation.**
5. **Secure latch on rear bow rest before raising trailer to prevent bows from contacting undesired objects.**
6. **Use only OSHA-approved ladders or scaffolding during installation process.**
7. **Close bows fully before raising trailer.**

RUST PREVENTION

To prevent rust, paint all exposed metal, such as weld seams and/or metal exposed by grinding or cutting, with corrosion-resistant paint.

TABLE OF CONTENTS

Hardware Identification..... 1
 Bow Pivot Brackets..... 2
 Bow Stop Brackets 3
 Bows & Bow Rests 4
 Pivoting Ridgepole..... 5
 Rope Return & Box Hooks 6
 Replacement Parts..... 7

TOOLS REQUIRED

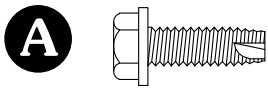
1. Tape Measure
2. Hammer
3. Steel Welder
4. Grinder
5. Hacksaw (metal cutting saw)
6. Center Punch or Transfer Punch
7. 3/8" Drill
8. 5/16" Drill Bit
9. 3/8" Drill Bit
10. 1/2" Wrench
11. 9/16" Wrench
12. Ratchet
13. 1/2" Deep Socket
14. 9/16" Deep Socket
15. Air or Electric Impact Driver
16. 3/8" Impact Socket
17. 9/16" Impact Socket

PARTS INSPECTION

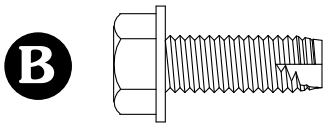
Inspect all parts in your Turning Point™ Bow kit upon arrival. Please inspect your tarping system regularly, and repair or replace parts when continued use could damage your system.

OPERATION

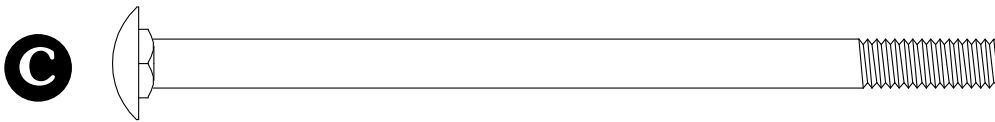
1. Roll tarp aside.
2. Release rope from box hooks.
3. Check for overhead for obstructions. Bows will raise about 12" above closed position.
4. Pull rope rearward and tie to box hooks, restricting return of bows.
5. Load trailer.
6. Untie rope, release rope to allow bows to return to closed position.
7. Leave slack in rope and wrap excess rope around box hooks. Store pull rope on box hooks when not in use.



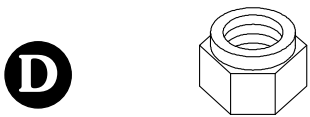
1700403 Self-Tapping Screw - 1/4" x 3/4"



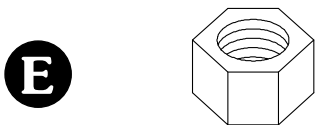
1700400 Self-Tapping Screw - 3/8" x 1"



1701216 Carriage Bolt - 5/16" x 5 1/2"



1700419 Nylon Lock Nut - 5/16"



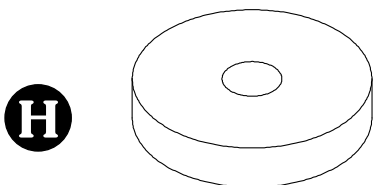
1700407 Hex Nut - 3/8"



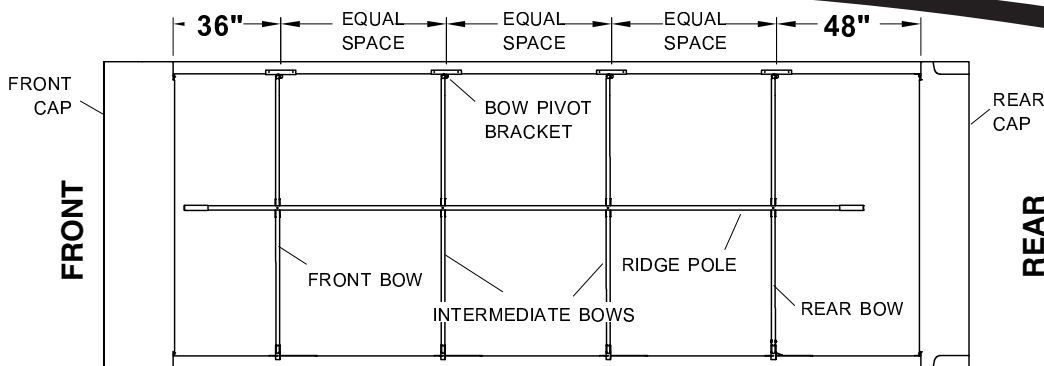
1700427 Flat Washer - 1/4"



1700434 Lock Washer - 3/8"



1701215 Washer - 1/4" x 1 1/4"



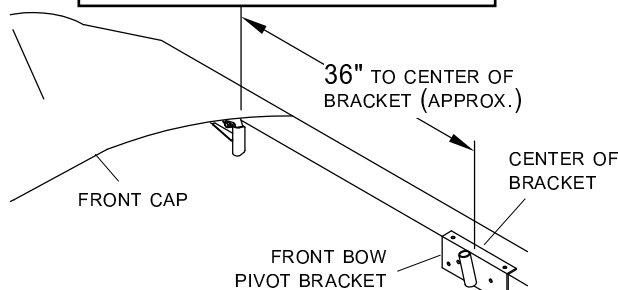
REAR The Turning Point™ bow system allows bows to open to side of trailer, so trailer can be loaded and unloaded without damaging bows. Operator can easily rotate bows to side of trailer while standing on ground.

STEP 1: Install front and rear caps per Shur-Lok® owner's manual before installing Turning Point™ bow system.

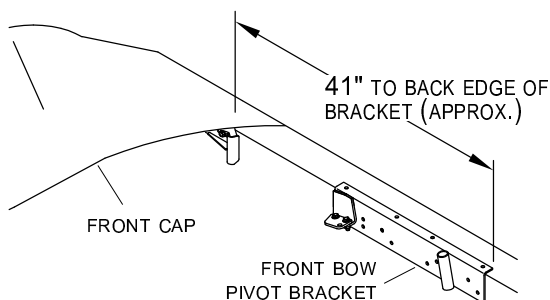
STEP 2: Locate FRONT bow pivot bracket on passenger side of trailer, 36" from front cap. Mark and drill 5/16" holes.

NOTE: If top rail has planks, top of bracket must not extend over plank. Additional bracketry may be required.

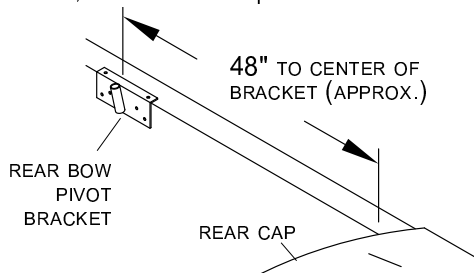
MANUAL TURNING POINT™ BOW



ELECTRIC TURNING POINT™ BOW

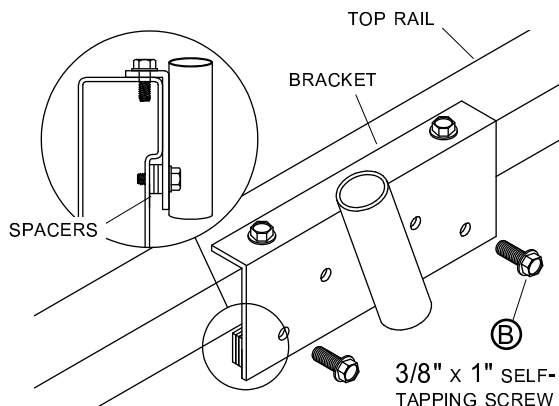


STEP 3: Locate REAR bow pivot bracket on passenger side of trailer, 48" from rear cap. Mark and drill 5/16" holes.



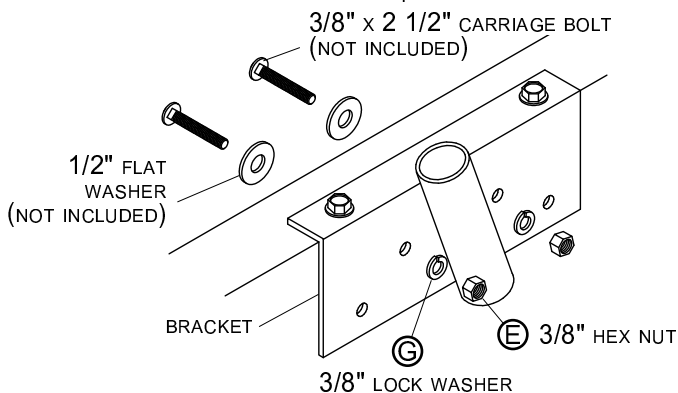
STEP 4: Equally space remaining bow pivot brackets. Mark and drill 5/16" holes.

STEP 5: **A) Steel top rails.** Mount bow pivot bracket with (4) four 3/8" x 1" self-tapping screws through top of bracket and through upper or lower hole pattern on side of bracket.



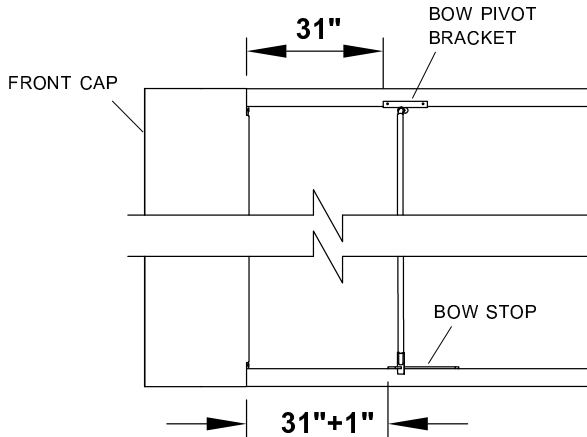
TIP - If installing spacers, align center of spacers with holes in bracket and predrill holes. Tape works well to keep spacers from slipping while drilling holes.

B) Rails w/planks. Mount bow pivot brackets with 3/8" x 1" self-tapping screws and 3/8" x 2 1/2" carriage bolts, lock washers and nuts as shown. Secure 1/2" flat washers to outside of plank to minimize twist.



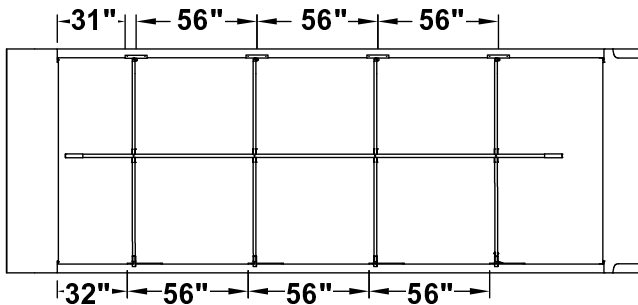
CAUTION
Mount pivot bow brackets to planks securely because they must withstand considerable stress.

STEP 6: Locate bow stops across from pivot brackets. Measure distance from front edge of pivot bracket to inside edge of front cap. Add 1" to measurement to get distance from cap to front edge of bow stop bracket. Mark location on box.

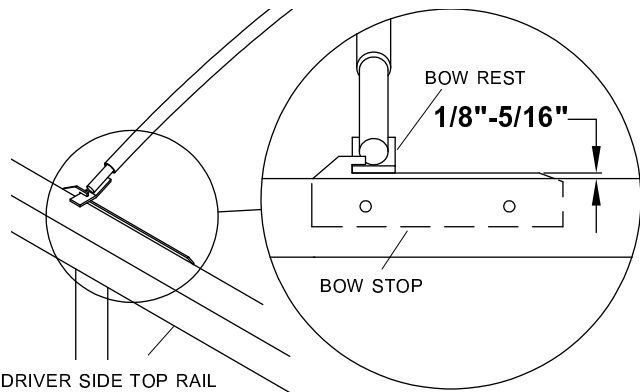


STEP 7: Space remaining bow stops to correspond with pivot brackets. Mark bow stop locations.

EXAMPLE:



STEP 8: Position bow stops at marked locations as shown with top surface of bow stops 1/8" to 5/16" above top rail. Locate bow stop w/catch at rear bow.

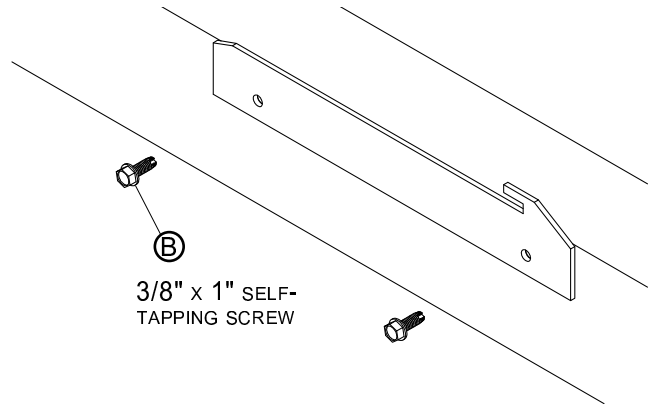


NOTE: If obstructions prevent locating bow stop w/catch at rear bow, it may be mounted on the next bow.

STEEL/ALUMINUM RAILS

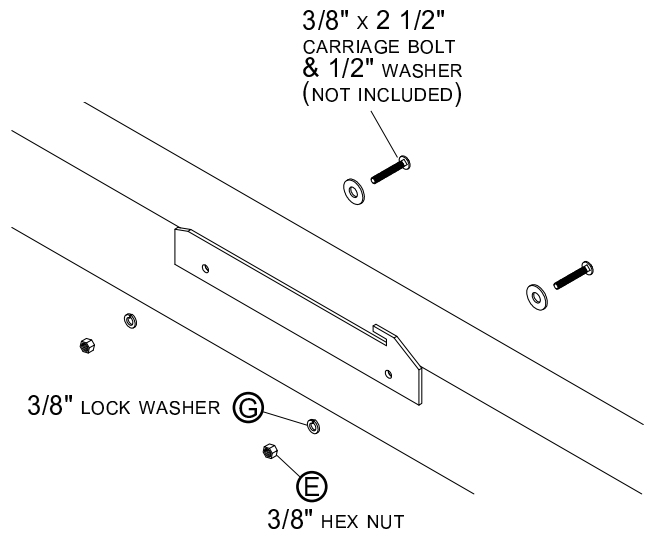
STEP 9A: Mark and drill 5/16" holes and secure with 3/8" x 1" self-tapping screws.

NOTE: Drill 5/16" holes for 3/8" x 1" self-tapping screws and drill 3/8" holes for 3/8" x 2 1/2" carriage bolts.

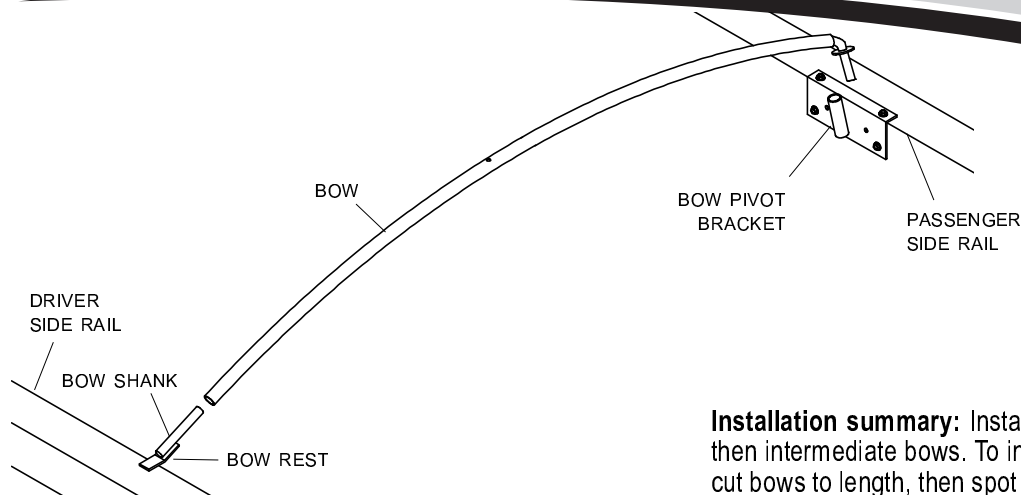


RAILS W/PLANKS

STEP 9B: Mark and drill 3/8" holes and secure with 3/8" x 2 1/2" carriage bolts, 1/2" flat washers, 3/8" lock washers and 3/8" nuts.



STEP 10: Fasten bracket through drilled holes as shown above.

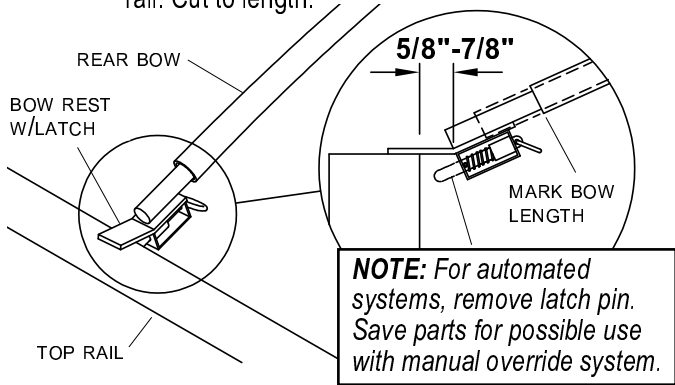


Installation summary: Install rear bow first, then front bow, then intermediate bows. To install, align bow rests, mark and cut bows to length, then spot weld shanks to bows.

STEP 11: Grease or lubricate bow pivot brackets and insert bows into brackets. See caution note below.

CAUTION
DO NOT lubricate if you intend to haul fertilizers or hazardous material. Explosive chemical reaction could occur.

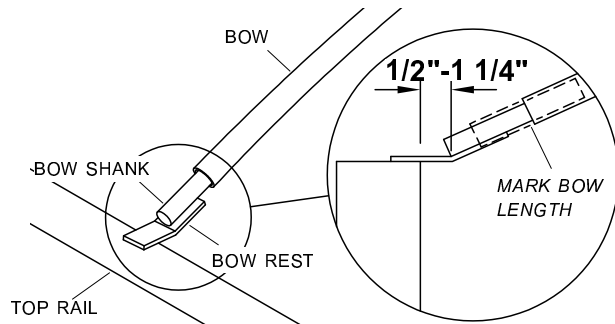
STEP 12: Determine bow length by aligning new bow rest provided in kit with bow and bow stop on top of side rail. Cut to length.



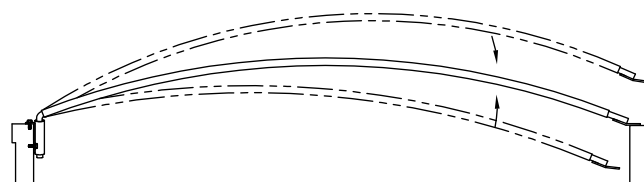
NOTE: For automated systems, remove latch pin. Save parts for possible use with manual override system.

NOTE: If obstructions prevent locating bow rest on rear bow, it may be mounted on next bow.

STEP 13: Determine bow length by aligning bow rest with bow and bow stop on top of side rail. Cut to length.

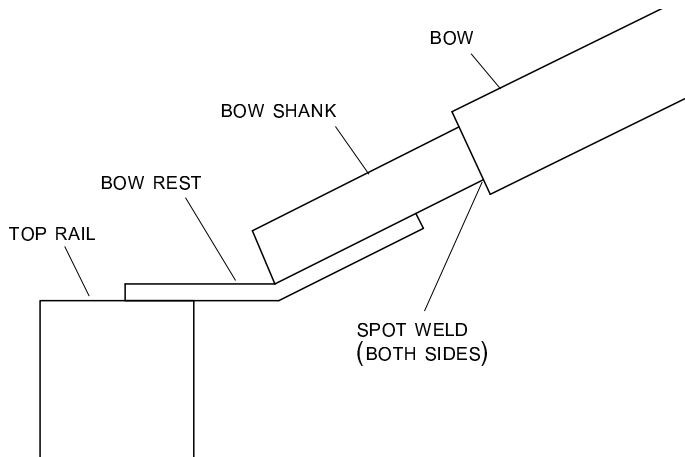


STEP 14: Adjust bow arch as needed so bow rest smoothly slides into bow stop. Adjust bow to desired arch by pulling up or down on bow.



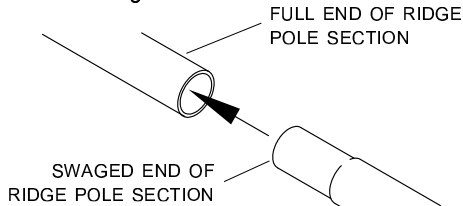
NOTE: Top rail fluctuation may affect position of bow rest on bow stop and top rail.

STEP 15: Weld bow rests to bows with 1/2" weld on each side of bow. De-burr sharp edges created by welding. Touch up with corrosion-resistant paint.

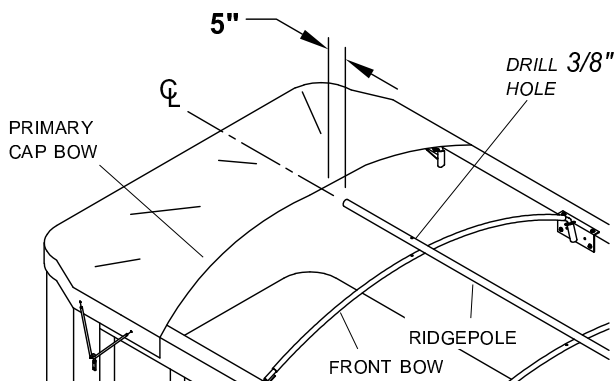


NOTE: Install ridgepole in the following manner so bows will open to fullest extent. Bows may set at a slight angle across truck when closed.

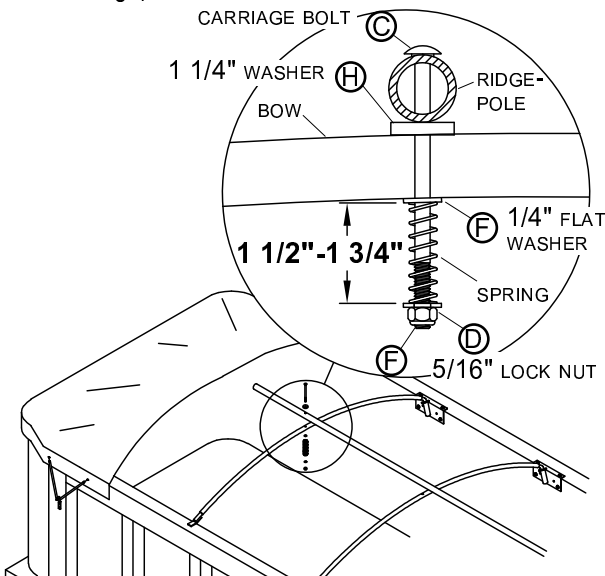
STEP 16: For longer boxes where two ridgepole sections are required, insert swaged end of first ridgepole section into full end of second pole section. Align sections, weld and grind smooth.



STEP 17: Center ridgepole across bows, 5" from primary cap bow. Mark and drill 3/8" hole in ridgepole at front bow only.



STEP 18: Fasten ridgepole to front bow with 5/16" x 5 1/2" carriage bolt, washer, spring, flat washers and lock nut. Hammer bolt head lightly to seat carriage bolt into ridgepole.

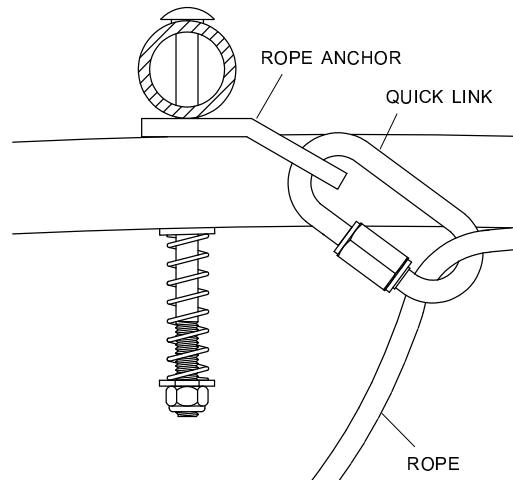


STEP 19: With bows closed, center ridgepole over hole in second bow. Using hole in bow as guide, drill 3/8" hole through ridge pole. Fasten ridgepole to second bow in same manner as front bow (see step 18). Repeat for remaining bows.

NOTE: See step 20 for additional information concerning latching bow.

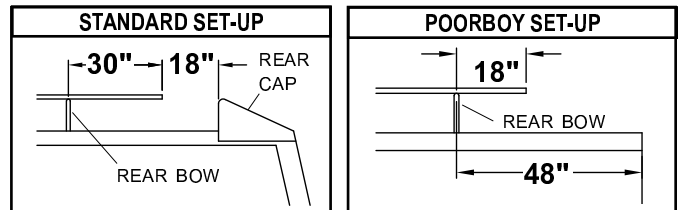
STEP 20: Fasten rear (latching) bow to ridgepole with rope anchor and quick link instead of nylon washer.

NOTE: If bow rest with latch has been installed on another bow, fasten that bow to ridgepole with rope anchor and quick link.

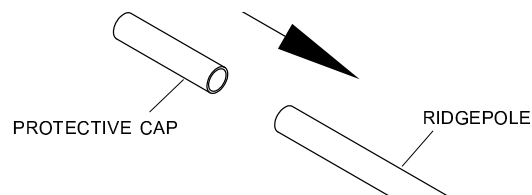


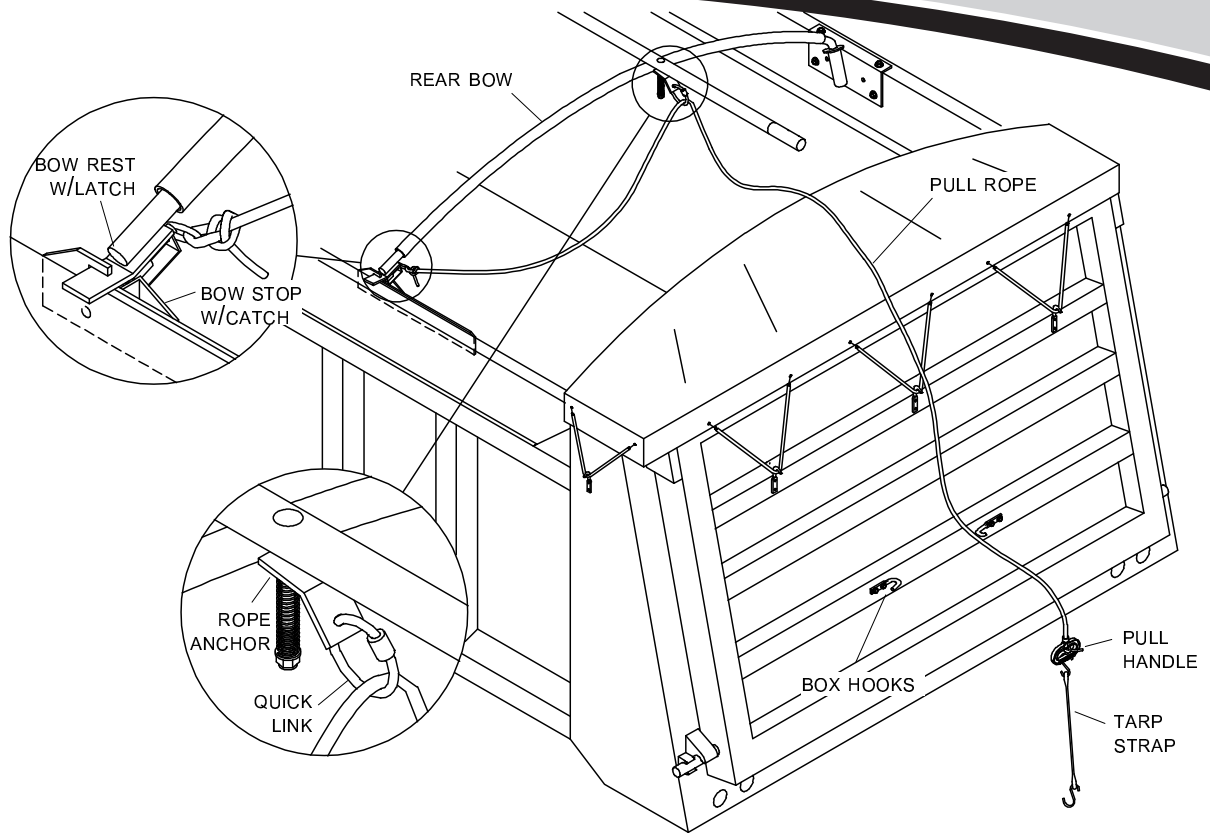
STEP 21: Standard tarp. Cut ridgepole to stop 30" past rear bow, 18" from bow in cap.

Poorboy tail tarp. Extend ridgepole past rear bow 18" to allow flap to slope toward tailgate.

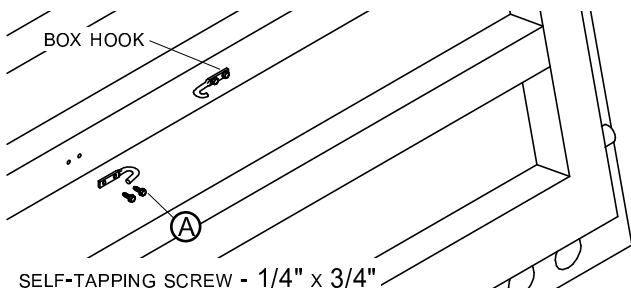


STEP 22: Install protective caps over ends of ridgepole.





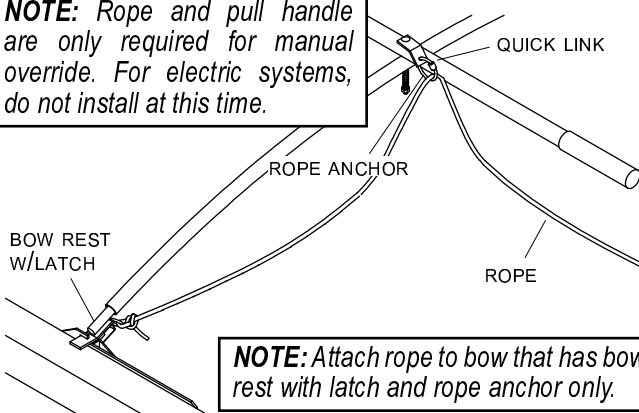
STEP 23: Install box hooks on rear of trailer, opposite each other, with 1/4" x 3/4" self-tapping screws.



SELF-TAPPING SCREW - 1/4" x 3/4"

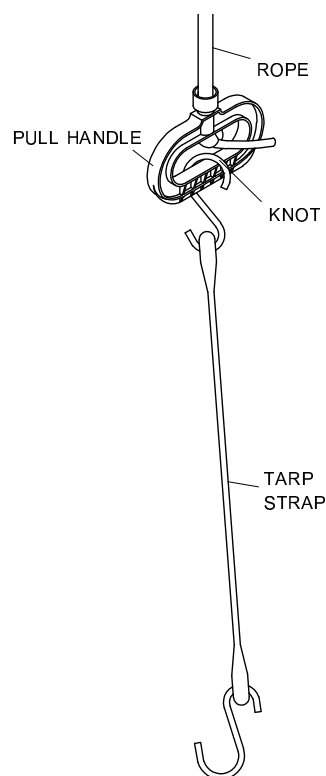
STEP 24: Insert rope through quick link and tie rope securely to bow rest with latch.

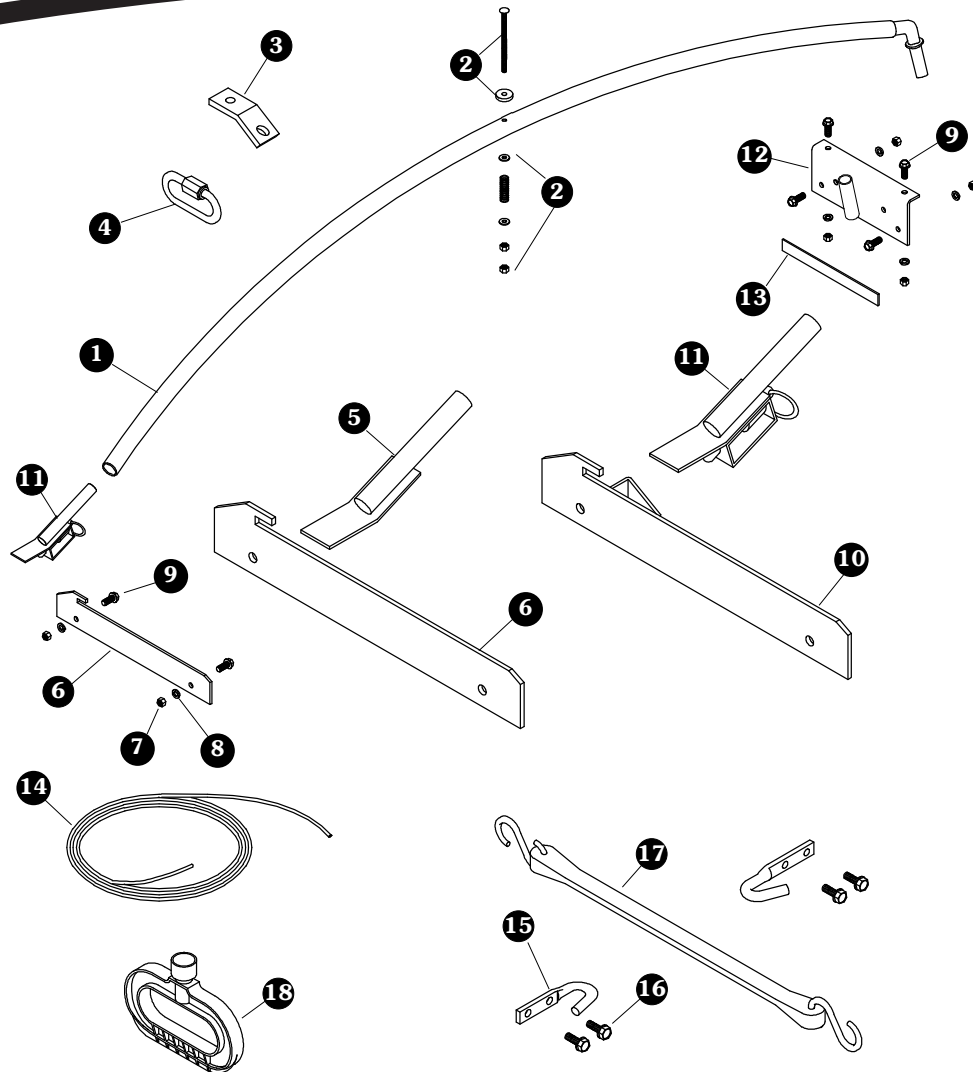
NOTE: Rope and pull handle are only required for manual override. For electric systems, do not install at this time.



NOTE: Attach rope to bow that has bow rest with latch and rope anchor only.

STEP 25: Insert rope through pull handle and tie knot. Hook tarp strap to pull handle.





Part #	Description	Item	Part #	Description
1105346	Turning Point™ Low-Rise Bow Kit - 3 Bows	1.	1105337	Turning Point™ Bow - Low-Rise
1105347	Turning Point™ Low-Rise Bow Kit - 4 Bows		1105331	Turning Point™ Bow - High-Rise
1105348	Turning Point™ Low-Rise Bow Kit - 5 Bows	2.	1110368	Bow Attachment Spring Assembly
1105349	Turning Point™ Low-Rise Bow Kit - 6 Bows	3.	1105325	Pull Rope Anchor
1105350	Turning Point™ Low-Rise Bow Kit - 7 Bows	4.	1701219	Quick Link - 5/16"
1105341	Turning Point™ High-Rise Bow Kit - 3 Bows	5.	1105333	Bow Rest - Low-Rise
1105342	Turning Point™ High-Rise Bow Kit - 4 Bows		1105327	Bow Rest - High-Rise
1105343	Turning Point™ High-Rise Bow Kit - 5 Bows	6.	1105314	Bow Stop
1105344	Turning Point™ High-Rise Bow Kit - 6 Bows	7.	1700407	Hex Nut - 3/8"
1105345	Turning Point™ High-Rise Bow Kit - 7 Bows	8.	1700434	Lock Washer - 3/8"
1105339	Pull Rope Assembly	9.	1700400	Self-Tapping Screw - 3/8" x 1"
		10.	1105320	Turning Point™ Bow Stop w/Catch
		11.	1105338	Bow Rest/Latch - Low-Rise
			1105322	Bow Rest/Latch - High-Rise
		12.	1105317	Bow Pivot Bracket/Spacers
		13.	1107006	Pivot Bracket Spacer
		14.	1100469	Rope - 32'
		15.	1700682	Box Hook - 5/16" Holes
		16.	1700403	Self-Tapping Screw - 1/4" x 3/4"
		17.	1700649	Rubber Strap - 15'
		18.	1106929	Pull Handle

MORE QUALITY PRODUCTS FROM SHUR-CO®

- **Genuine Replacement Tarps**
- **Genuine Replacement Parts**

- **Agriculture Products**
 - Value Series Shur-Lok®
 - Super Duty Shur-Lok®
 - Shur-Lok® Junior
 - Premium Belt 'n Ratchet
 - Cable-Lok™
 - Turning Point™ Bow

- **SMARTrailer™ Accessories for Agriculture Products**
 - SMART2™ Remote
 - SMART1 +™ Remote
 - 4500 Series HD Electric
 - AutoTrap™ Hopper Opener
 - ProTrap® Hopper Opener
 - LiteALL™ Work Lights
 - Cable-Lok™ Electric Upgrade
 - Electric Turning Point™ Bow
 - Value Series Electric
 - Solar Power Pack

- **Flatbed Products**
 - ShurTite™ Retractable Tarps
 - Stock Lumber & Steel Tarps
 - Steel Tarps

- **Custom Products**
 - Fitted Truck Covers
 - Flat Utility Tarps
 - Bean Drill Covers
 - Shur-Lok® Tarp Cords

- **Construction Products**
 - Super Duty Shur-Lok®
 - Shur-Trak II™
 - Cover-Pro II®
 - Turning Point™ Bow
 - IronSide™ Side-Dump System
 - Arm-Matic™
 - DuraPull™
 - Econo-Pull™
 - Turbo Tarp2 DONOVAN BRAND
 - 2000 Series DONOVAN BRAND
 - 5000 Series DONOVAN BRAND
 - Hammer DONOVAN BRAND
 - Bullet DONOVAN BRAND
 - Flash DONOVAN BRAND
 - Long Arm DONOVAN BRAND

- **SMARTrailer™ Accessories for Construction Products**
 - 4500 Series HD Electric w/Gate Flex™
 - Shur-Trak II™ Electric Upgrade
 - Cover-Pro II® Electric Upgrade
 - Electric Turning Point™ Bow
 - Solar Power Pack

- **Waste Products DONOVAN BRAND**
 - The Ox™
 - Quick-Flip III
 - Sidewinder
 - Sidewinder 350
 - HyTower SL
 - HyTower DL
 - Double-Flip

TARPING SYSTEMS & ACCESSORIES

