



TARPING SYSTEMS & ACCESSORIES

P/N 1105257 Rev. E

OWNER'S MANUAL



Cover-Up™ for Dump Bodies

READ BEFORE INSTALLING

PO BOX 713 ■ 2309 SHUR-LOK STREET ■ YANKTON, SD 57078-0713
PHONE 1-800-4-SHUR-LOK (1-800-474-8756) ■ FAX 605-665-0501
www.shurco.com

SHOP ONLINE: www.shopshurco.com

SHIPPING. Orders are shipped F.O.B. from the Shur-Co®, LLC sites listed below. No full freight is allowed or prepaid shipment accepted unless quoted and approved in writing prior to acceptance of the order. All shipments are made by the most reasonable means in accordance with size and weight of order, unless specified routing instructions are furnished by the customer. Shipments are made daily via U.P.S. and common carrier. Claims for shortages must be made within 10 days. All claims for damages or loss in transit must be made with the carrier. No collect calls will be accepted. To ensure delivery of orders, we need your full street address and phone number. When you receive your shipment, examine it carefully. Be sure all cartons listed on the delivery sheet are accounted for. Large items may be packaged separately. If a carton is damaged, open it and inspect the contents before signing for delivery. If merchandise is damaged, describe damage on the delivery receipt. Failure on your part to document damaged or missing merchandise on the delivery receipt releases the carrier of all liability; repair or replacement will be the customer's responsibility.

WARRANTY. We warrant all new products are free of defects in materials and workmanship.* This warranty is effective if products are properly installed and used for the purpose for which they were intended and applies to the original buyer only. Except as set forth above or in any product-specific warranty documentation, we make no other warranties, express or implied, including but not limited to warranties of merchantability of fitness for a particular use.

Returns of a product for warranty must be accompanied by a Return Merchandise Authorization number (RMA#), obtained by calling Customer Service at 866-748-7435, and sent, with freight paid by us, to Shur-Co®, LLC, 2309 Shur-Lok St., PO Box 713, Yankton, SD 57078. All products returned without an RMA# will be refused. When we issue the RMA#, we will also issue a call tag to have UPS (or other freight company) pick up the product. C.O.D. returns not accepted. We will pay no storage fees for a warranty product return prior to pick by us or the freight company. If a warranty product return is scheduled to be picked up by us, we will pick up the product at our earliest convenience.

If a product returned is found, in our judgement, to be defective in material or workmanship, our obligation under this warranty is limited to the repair or replacement of the product, which will be made by us. Repair or replacement will be at our discretion, with replacements being made using current products performing in the equivalent function. Labor charges, other than those incurred at our factory, including, but not limited to, any labor to install a repaired or replacement product, are not covered under this warranty. All expenses associated with delivering defective products to our factory and delivering repaired or replacement products from our factory to the owner will be paid by us.

If the product returned is found, in our judgement, to be non-warrantable, the owner will be contacted to authorize repair work, purchase of a replacement product or return of the product, all of which will be at the owner's expense. Payment authorization must be received by us before any non-warrantable product is repaired, replaced or returned. All expenses associated with delivering the repaired non-warrantable product, a replacement product or the non-warrantable product from our factory to the owner will be paid by the owner.

In no event will we be liable for any damages of any kind to person, product or property, including but not limited to indirect, incidental, special, consequential or punitive damages, or damages for loss of profits or revenue, even if we have been advised of the possibility of such damages. There are no warranties for used products or products that have been repaired, altered, modified or subjected to misuse, negligence or accident. We will not repair or replace products that fail or malfunction due to ordinary wear and tear, except as expressly noted in a product-specific warranty. Use of non-Shur-Co®, LLC parts in conjunction with Shur-Co®, LLC products will void this product warranty.

*Certain products have specific warranties that differ from this warranty, for example motors and electronics. Product-specific warranty documentation is available for these items. In the event of a conflict between this warranty and a product-specific warranty, the product-specific warranty will govern.

RETURN POLICY. All sales final. See WARRANTY above for return details.

OTHER. All prices, product listings, sizes, weights and manufacturing details are subject to change without notice. No person is authorized to modify the foregoing conditions of sale whatsoever.

SHUR-CO®, LLC SERVICE AND DISTRIBUTION CENTERS

Corporate HQ and Outlet Store

SHUR-CO® of SOUTH DAKOTA
2309 Shur-Lok St., PO Box 713
Yankton, SD 57078-0713
Ph 800.474.8756 | Fax 605.665.0501

ShurTite™ Service Centers

SHUR-CO® of CANADA
490 Elgin St., Unit #1
Brantford, Ontario N3S 7P8
Ph 800.265.0823 | Fax 519.751.3997

SHUR-CO® of SIOUX FALLS
47184 258th St., Suite B
Sioux Falls, SD 57107
Ph 844.573.9322 | Fax 605.543.5469

SHUR-CO® of COLORADO
10220 Brighton Rd., Unit #1
Henderson, CO 80640
Ph 866.355.9173 | Fax 303.289.2298

SHUR-CO® of FLORIDA
3353 SE Gran Park Way
Stuart, FL 34997
Ph 800.327.8287 | Fax 772.287.0431

SHUR-CO® of ILLINOIS
3993 E. Mueller Ave.
Decatur, IL 62526
Ph 866.356.0246 | Fax 217.877.8270

SHUR-CO® of IOWA
3839 Midway Blvd.
Ft. Dodge, IA 50501
Ph 866.356.0245 | Fax 515.576.5578

SHUR-CO® of MICHIGAN
5100 Lakeshore Dr.
Lexington, MI 48450
Ph 800.327.8287 | Fax 772.287.0431

SHUR-CO® of NORTH DAKOTA
1746 4th Ave. NW
West Fargo, ND 58078
Ph 877.868.4488 | Fax 701.277.1283

SHUR-CO® of OHIO
1100 N. Freedom, St. Rt. 88 & 14
Ravenna, OH 44266
Ph 866.356.0242 | Fax 330.297.5599


SHUR-CO® of TEXAS
34505 I-10 West, S. Frontage Rd.
Brookshire, TX 77423
Ph 866.689.0039 | Fax 281.934.3311

SHUR-CO® UK, Ltd.
Unit 41 Rochester Airport Estates
Laker Rd., Rochester, Kent ME1 3QX
Ph +44 (0)1795.473499
Fax +44 (0)871.272.8278

For more information, log on to our website:
www.shurco.com

MESSAGE TO OWNERS

Thank you for buying this tarping system from Shur-Co®. We appreciate your confidence in our products. Please read and thoroughly understand this manual before installing and/or operating this system.

Pay particular attention to important safety and operating instructions, as well as warnings and cautions. The hazard symbol  is used to alert users to potentially hazardous conditions and is followed by caution, warning or danger messages.

Failure to READ AND FOLLOW INSTRUCTIONS could result in failure of your tarping system and/or personal injury. Your trailer requirements may, however, call for minor variations to these instructions.

Please inspect your tarping system periodically. Repair or replace worn or damaged parts to your system.

QUESTIONS? CALL OUR HELP LINE:

1-866-748-7435

MON-FRI 8 AM-5 PM CENTRAL TIME

SAFETY

We at Shur-Co® are concerned with your safety and the safety of all those operating this system. Therefore, we have provided safety decals at various locations on your tarping system. Keep decals as clean as possible at all times. Replace any decal that has become worn or damaged, painted over or otherwise difficult to read. Replacement decals are available through Shur-Co® dealers.

SAFETY INSTRUCTIONS

1. Always wear safety glasses during installation.
2. Keep body and clothing clear of moving parts.
3. Do not operate under potentially dangerous obstacles.
4. Use only OSHA-approved ladders or scaffolding during installation process.



CAUTION

Inspect Cover-Up™ System periodically. Replace damaged or worn parts to prevent personal injury or system failure.

TABLE OF CONTENTS

Box Preparation..... 1

Hardware Identification..... 1

Roll Tube Assembly..... 2

Replacement Parts..... 3-4

Tarp & Optional Windshield Installation..... 5

System Securement & Operation..... 6

Crank Installation..... 7

Crank Relocator Installation..... 8-9

Operation & Notes 10

TOOLS REQUIRED

1. Steel Welder
2. Hammer
3. #3 Phillips Screw Driver Bit
4. 1/2" Wrench
5. 5/16" Drill Bit
6. 3/16" Drill Bit (for Phillips Sheet Metal Screws)
7. 1/4" Drill Bit
8. Retaining Ring Pliers
9. Punch
10. 1/8" Allen Key (for Bearings)
11. 5/32" Allen Key (for Crank Sprocket)
12. 3/16" Allen Key (for Sprocket)
13. Metal Saw
14. Air or Electric Impact Wrench
15. Drill

RUST PREVENTION

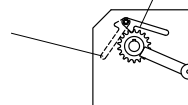
To prevent rust, paint all exposed metal such as weld seams and/or metal exposed by grinding or cutting, with corrosion-resistant paint.



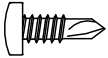



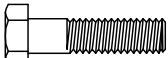


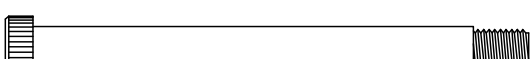

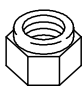
CAUTION

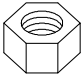
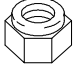


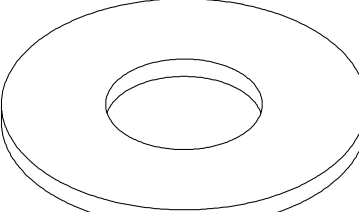
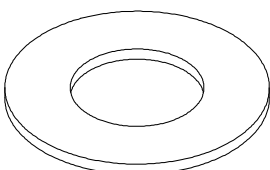
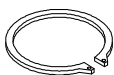
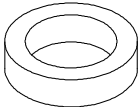
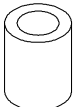
LOCKED POSITION - USE WHEN FULLY OPENED OR CLOSED

FREEWHEELING POSITION - USE TO CLOSE TARP



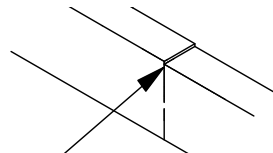
Grasp Crank Handle Firmly BEFORE Releasing Toggle. Rotate Slowly.

- A**  1700398 - Self-Drilling Screw - 1/4" x 3/4"
- B**  1700381 - Cap Screw - 1/4" x 1"
- C**  1701045 - Cap Screw - 5/16" x 3/4"
- D**  1701059 - Self-Tapping Screw - 5/16" x 1"
- E**  1701208 - Cap Screw - 5/16" x 1 1/4"
- F**  1701468 - Cap Screw - 5/16" x 1 3/4"
- G**  1700400 - Self-Tapping Screw - 3/8" x 1"
- H**  1701199 - Shoulder Bolt - 3/8" x 4"
- J**  1700474 - Nylon Truck Rivet - 1/4" x 3/4"
- K**  1700419 - Nylon Lock Nut - 5/16"

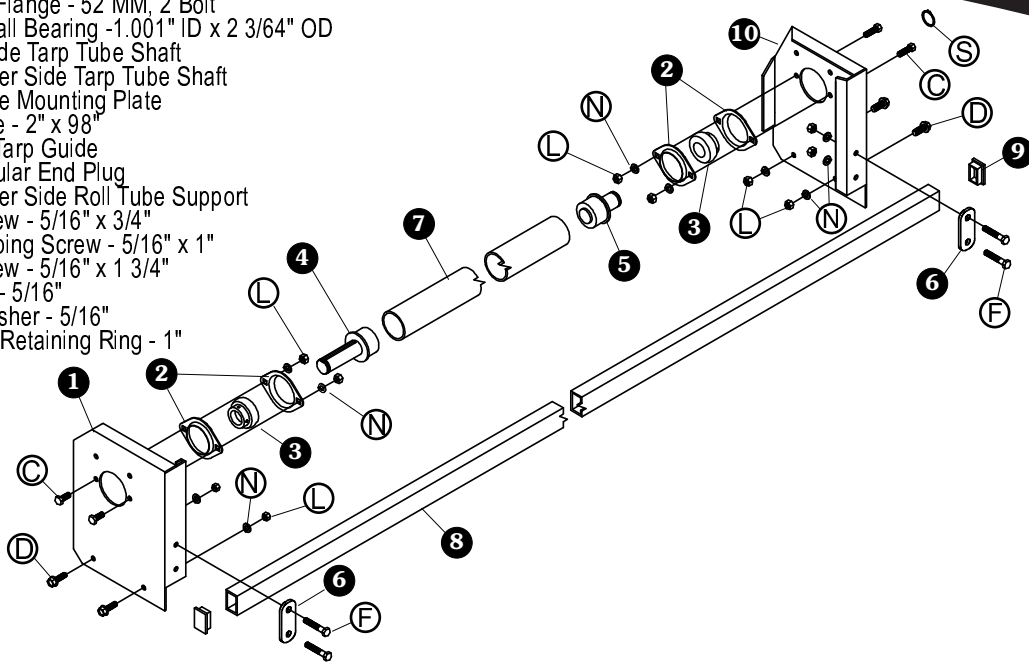
- L**  1700411 - Hex Nut - 5/16"
- M**  1701543 - Nylon Lock Nut - 1/4"
- N**  1700433 - Lock Washer - 5/16"
- P**  1700427 - Flat Washer - 1/4"
- Q**  1701209 - Flat Washer - 1 1/8"
- R**  1702733 - Flat Washer - 2"
- S**  1701060 - External Retaining Ring - 1"
- T**  1701197 - Toggle Spacer
- U**  1701196 - Sleeve Bearing

BOX PREPARATION

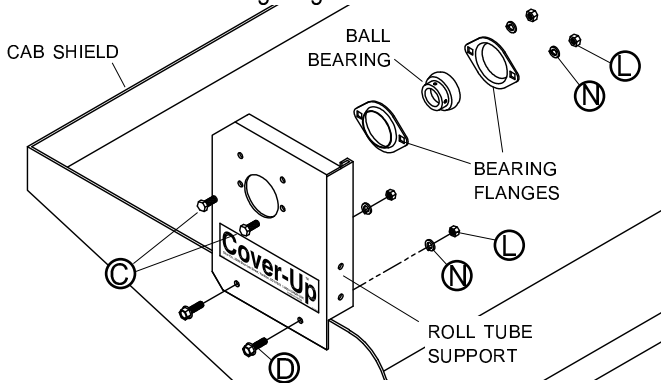
Prepare truck box before installing Cover-Up™ System. Remove or grind away sharp edges or points of interference that could damage tarp. For best seal add side planks (if required) to obtain a level top rail.



| Item | Part # | Description |
|------|---------|---|
| 1. | 1105237 | Driver Side Roll Tube Support |
| 2. | 1701054 | Bearing Flange - 52 MM, 2 Bolt |
| 3. | 1702594 | Radial Ball Bearing -1.001" ID x 2 3/64" OD |
| 4. | 1106187 | Driver Side Tarp Tube Shaft |
| 5. | 1106189 | Passenger Side Tarp Tube Shaft |
| 6. | 1125786 | Tarp Tube Mounting Plate |
| 7. | 1106176 | Roll Tube - 2" x 98" |
| 8. | 1105238 | Tubular Tarp Guide |
| 9. | 1701207 | Rectangular End Plug |
| 10. | 1105236 | Passenger Side Roll Tube Support |
| C. | 1701045 | Cap Screw - 5/16" x 3/4" |
| D. | 1701059 | Self-Tapping Screw - 5/16" x 1" |
| F. | 1701468 | Cap Screw - 5/16" x 1 3/4" |
| L. | 1700411 | Hex Nut - 5/16" |
| N. | 1700433 | Lock Washer - 5/16" |
| S. | 1701060 | External Retaining Ring - 1" |



STEP 1: Roll tube supports. Assemble ball bearing into bearing flanges. Fasten flange assemblies on inside of roll tube supports with screws **C**, washers **N** and nuts **L**. Finger tighten.

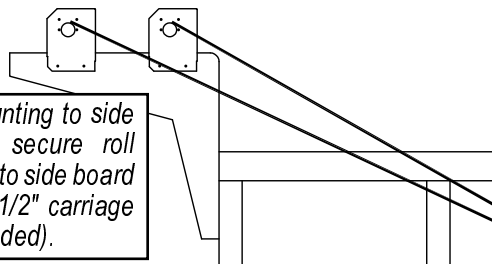


STEP 2: Locate and drill 1/4" holes and mount roll tube supports to front end of box with screws **D**, washers **N** and nuts **L**.

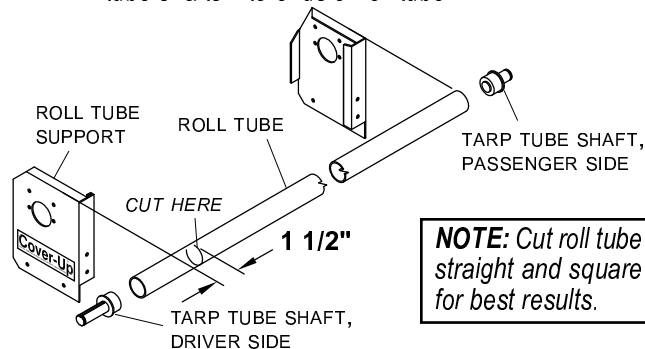
NOTE: Bracket location must allow tarp to operate freely. If bracket is mounted too low, cab shield interferes with tarp roll.

Bolt to steel framework on box or SEE NOTE.

NOTE: If mounting to side boards only, secure roll tube brackets to side board with 3/8" x 2 1/2" carriage bolt (not included).

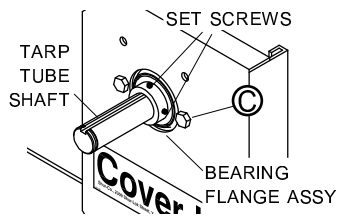


STEP 3: Cut roll tube 1 1/2" shorter than distance between outside edges of roll tube supports. Seam weld tarp tube shafts into ends of roll tube.

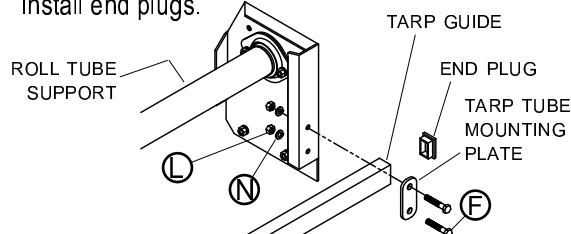


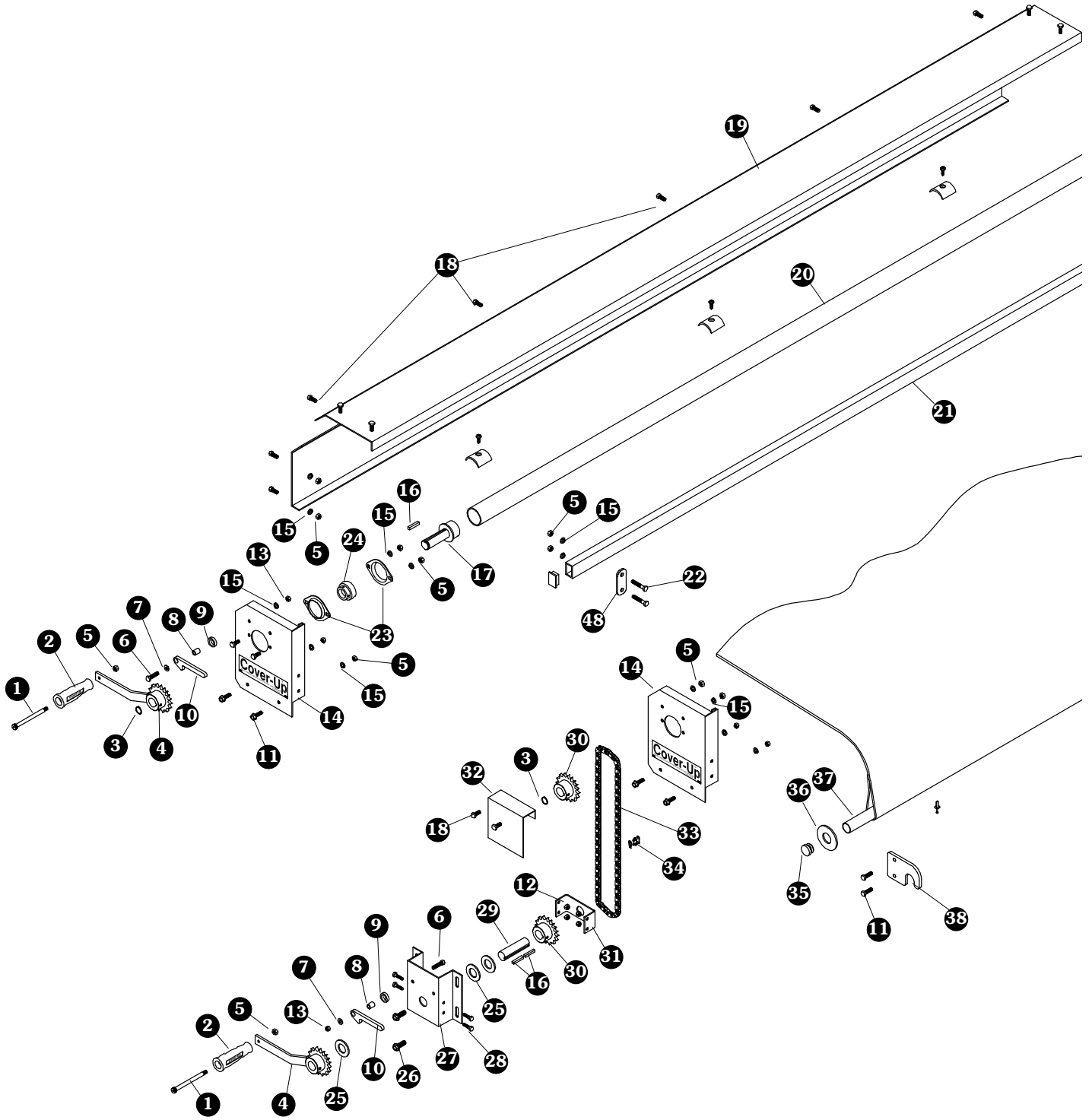
NOTE: Cut roll tube straight and square for best results.

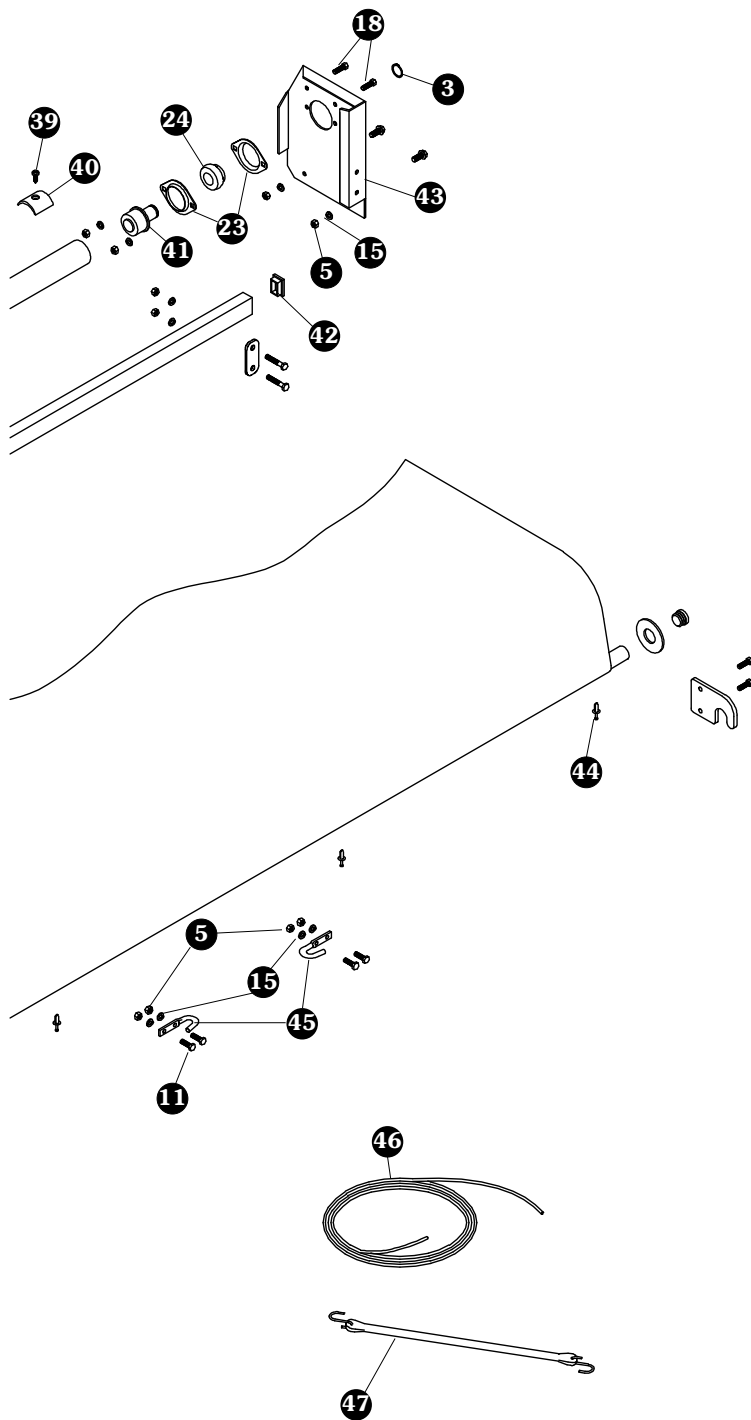
STEP 4: Insert tarp tube shaft into bearing flange assembly and tighten ball bearing set screws. Tighten the bearing flange screws **C**.



STEP 5: Tarp guide. Cut tarp guide to fit flush with outside edges of roll tube supports. Secure with tarp tube mounting plate, screws **F**, nuts **L** and washers **N**. Install end plugs.

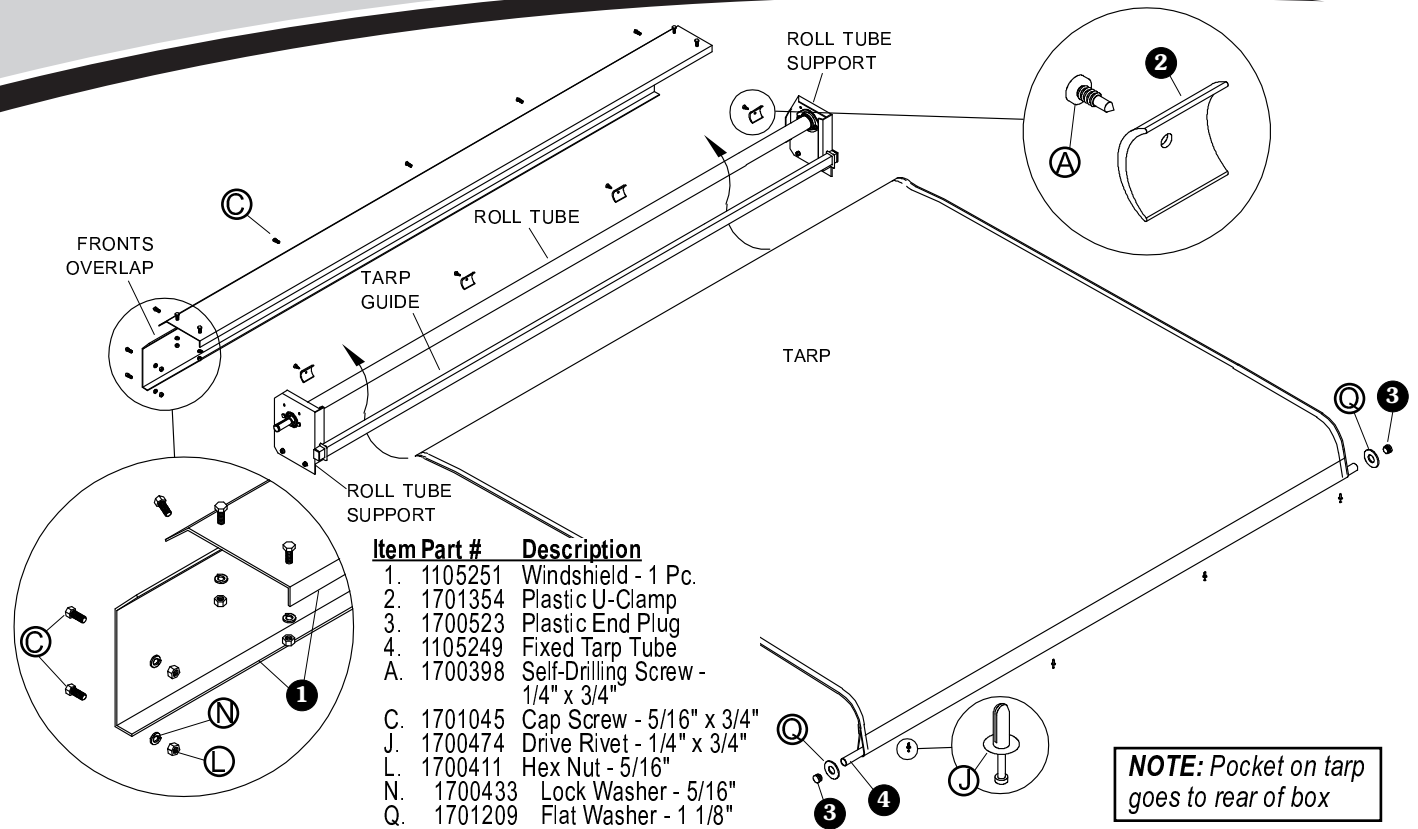






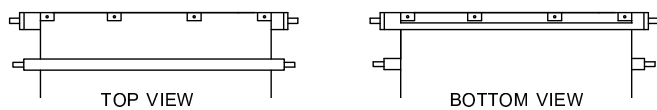
| Item | Part # | Description |
|-------|---------|--|
| 1. | 1701199 | Shoulder Bolt - 3/8" x 4" |
| 2. | 1701353 | Plastic Handle |
| 3. | 1701060 | External Retaining Ring - 1" |
| 4. | 1105239 | Crank Weldment |
| 5. | 1700411 | Hex Nut - 5/16" |
| 6. | 1701208 | Cap Screw - 5/16" x 1 1/4" |
| 7. | 1700427 | Flat Washer - 1/4" |
| 8. | 1701196 | Sleeve Bearing |
| 9. | 1701197 | Toggle Spacer |
| 10. | 1701194 | Toggle |
| 11. | 1701059 | Self-Tapping Screw - 5/16" x 1" |
| * 12. | 1701543 | Nylon Lock Nut - 1/4" |
| 13. | 1700419 | Nylon Lock Nut - 5/16" |
| 14. | 1105237 | Driver Side Roll Tube Support |
| 15. | 1700433 | Lock Washer - 5/16" |
| * 16. | 1701056 | Square Key - 1/4" x 1 3/8" |
| 17. | 1106187 | Driver Side Tarp Tube Shaft |
| 18. | 1701045 | Cap Screw - 5/16" x 3/4" |
| * 19. | 1105251 | Windshield - 1 Pc. |
| 20. | 1106176 | Roll Tube - 2" x 98" |
| 21. | 1105238 | Tubular Tarp Guide |
| 22. | 1701468 | Cap Screw - 5/16" x 1 3/4" |
| 23. | 1701054 | Bearing Flange - 52 MM, 2 Bolt |
| 24. | 1702594 | Radial Ball Bearing -1.001" x 2 3/64" OD |
| * 25. | 1702733 | Flat Washer - 2" |
| * 26. | 1700400 | Self-Tapping Screw - 3/8" x 1" |
| * 27. | 1111749 | Crank Relocator Bracket |
| * 28. | 1700381 | Cap Screw - 1/4" x 1" |
| * 29. | 1701220 | Crank Relocator Shaft - 1" x 3 5/8" |
| * 30. | 1106619 | Sprocket - 18 Tooth |
| * 31. | 1111670 | Relocator Brace |
| * 32. | 1106708 | Upper Chain Guard |
| * 33. | 1109179 | Roller Chain/Link - 14' |
| * 34. | 1701057 | Chain Connector Link |
| 35. | 1700523 | Plastic End Plug |
| 36. | 1701209 | Flat Washer - 1 1/8" |
| 37. | 1105249 | Fixed Tarp Tube - 1 1/8" x 102" |
| 38. | 1701201 | Gate Hook |
| 39. | 1700398 | Self-Drilling Screw - 1/4" x 3/4" |
| 40. | 1701354 | Plastic U-Clamp |
| 41. | 1106189 | Passenger Side Tarp Tube Shaft |
| 42. | 1701207 | Rectangular End Plug |
| 43. | 1105236 | Passenger Side Roll Tube Support |
| 44. | 1700474 | Drive Rivet - 1/4" x 3/4" |
| 45. | 1700682 | Box Hook w/5/16" Holes |
| 46. | 1100469 | Rope - 32' |
| 47. | 1700649 | Rubber Strap - 15" |
| 48. | 1125786 | Tarp Tube Mounting Bracket |

* Windshield and crank relocator parts are available for Cover-Up™ system and sold separately.



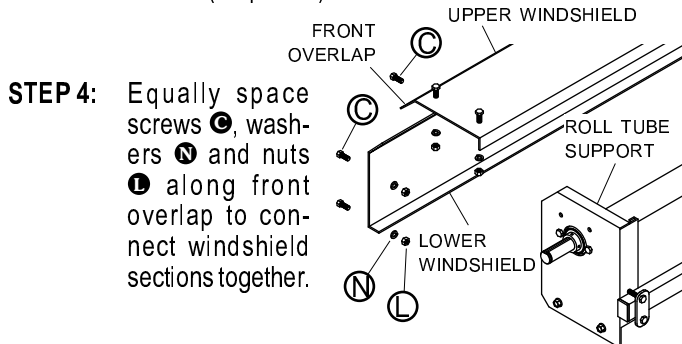
Measure and compare current tarp width to width of tarp ordered. If widths do not match, STOP installation process and call Shur-Co® for further instructions.

STEP 1: Tarp installation. Center and square tarp on roll tube. Fasten tarp to roll tube with four U-clamps and screws **A**. Start at center and work toward edges, pulling tarp tight. Feed tarp under tarp guide.



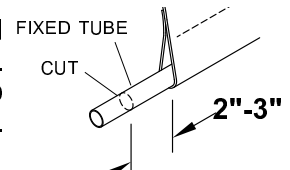
STEP 2: Windshield installation. Cut windshield to fit flush with outside edges of roll tube supports, clamp in place.

STEP 3: Drill 1/4" holes and fasten lower, then upper windshield to roll tube supports with screws **C**, washers **N** and nuts **L** (10 places).

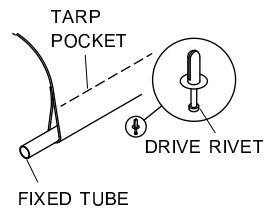


STEP 4: Equally space screws **C**, washers **N** and nuts **L** along front overlap to connect windshield sections together.

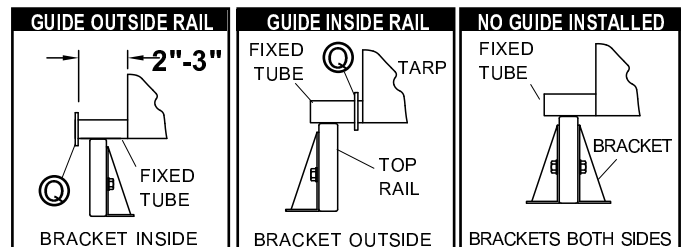
STEP 5: Fixed tube. Guide fixed tube into pocket on tarp. Cut tube to extend 2" to 3" on each side of tarp. Remove all sharp edges.



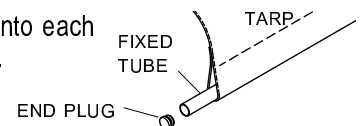
STEP 6: Center fixed tube in pocket. Drill four 1/4" holes, evenly spaced, through tarp into fixed tube. Secure tarp to fixed tube with drive rivets.

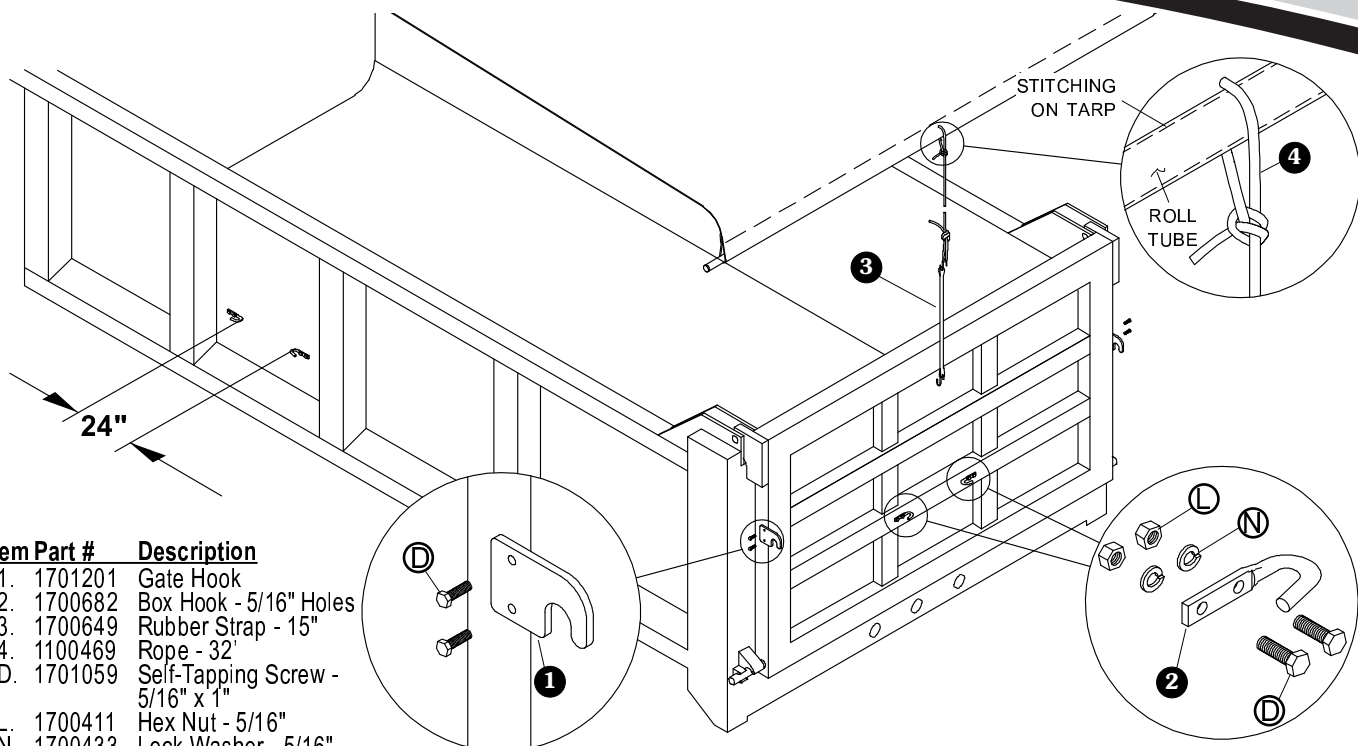


STEP 7: Rear tarp guide (optional). Weld flat washer **Q** onto each end of fixed tube. Depending on rail configuration, guide can ride inside or outside top rail.



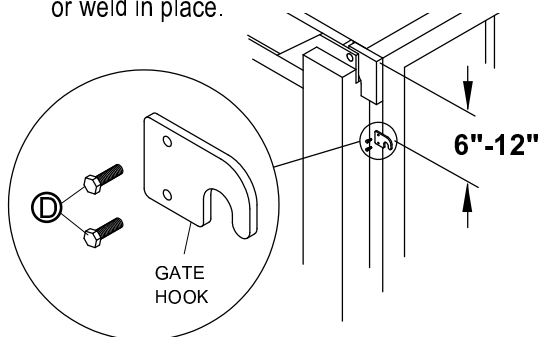
STEP 8: Install end plug into each end of fixed tube.



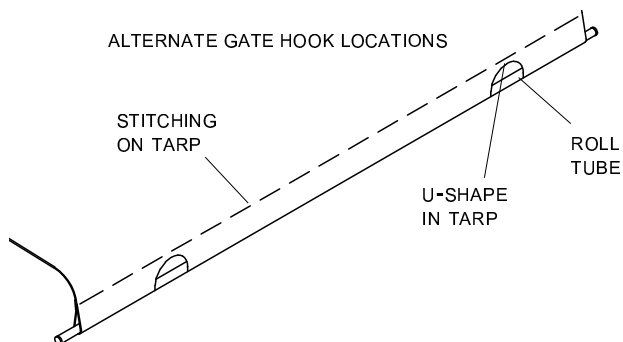


| Item Part # | Description |
|-------------|---------------------------------|
| 1. 1701201 | Gate Hook |
| 2. 1700682 | Box Hook - 5/16" Holes |
| 3. 1700649 | Rubber Strap - 15" |
| 4. 1100469 | Rope - 32' |
| D. 1701059 | Self-Tapping Screw - 5/16" x 1" |
| L. 1700411 | Hex Nut - 5/16" |
| N. 1700433 | Lock Washer - 5/16" |

STEP 1: Rear gate hooks. Position gate hooks 6" to 12" from top of tailgate on outside edges of tarp. Mark hole locations. Drill 1/4" holes and secure with screws **D** or weld in place.



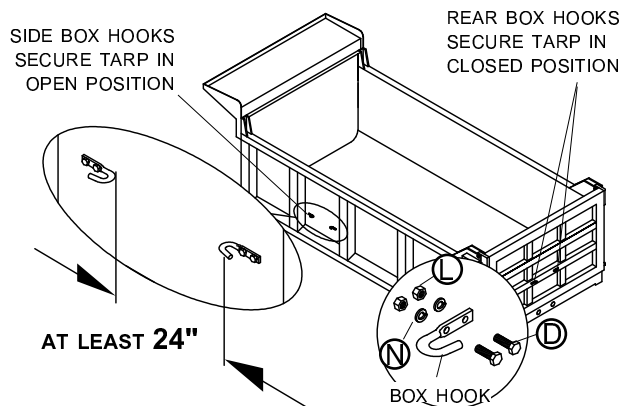
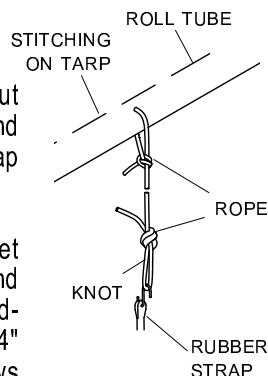
NOTE: If gate hooks cannot be installed outside the tarp's path, cut U shapes in the tarp to fit gate hooks. **DO NOT** cut stitching on tarp.

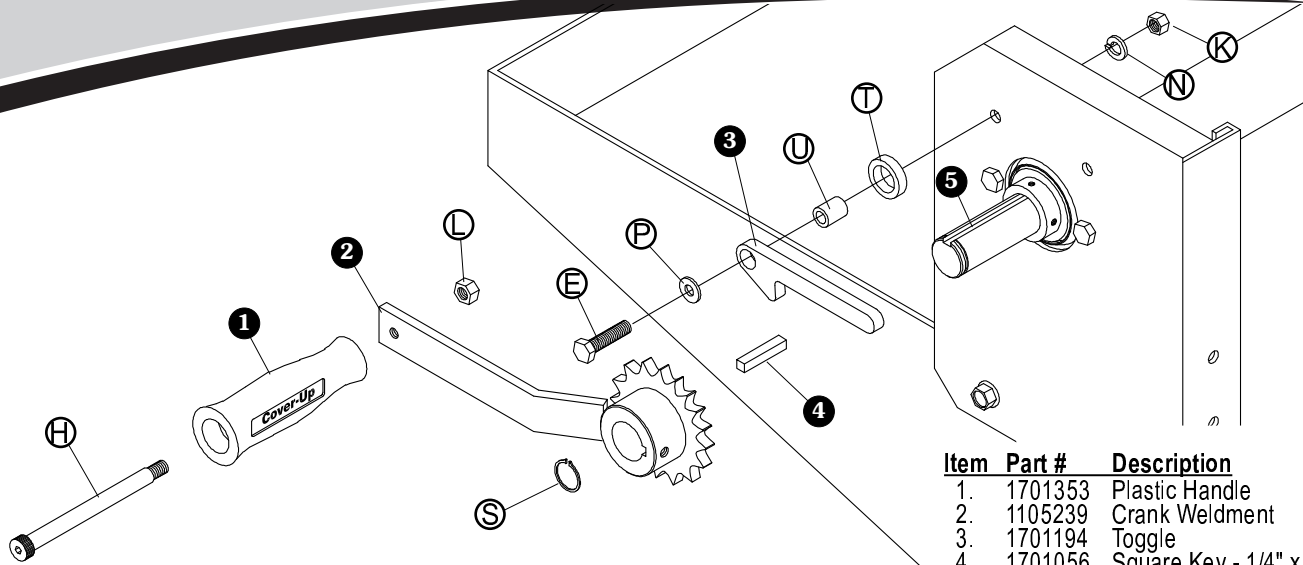


STEP 2: Rope return. Cut a small hole in center of tarp just above roll tube. Wrap rope around roll tube, tie knot.

STEP 3: Cut rope so end is about 24" above ground. Knot end of rope, hook rubber strap through knot.

STEP 4: Box hooks. Position set of box hooks on rear and side of trailer. Recommended spacing is at least 24" apart. Secure with screws **D**, washers **N** and nuts **L**.

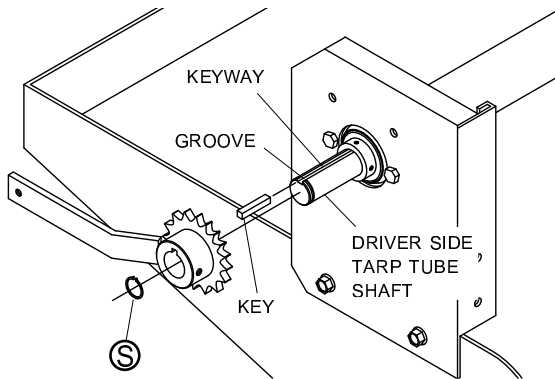




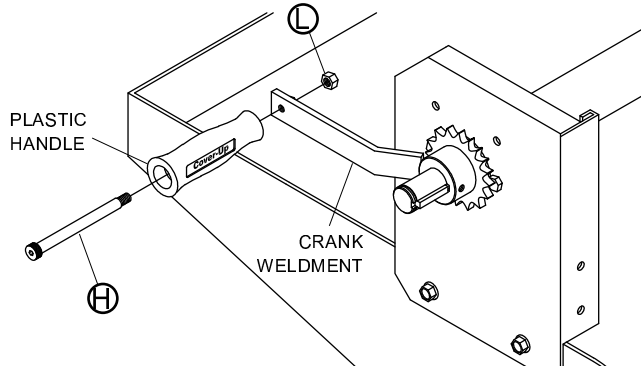
| Item | Part # | Description |
|------|---------|------------------------------|
| 1. | 1701353 | Plastic Handle |
| 2. | 1105239 | Crank Weldment |
| 3. | 1701194 | Toggle |
| 4. | 1701056 | Square Key - 1/4" x 1 3/8" |
| 5. | 1106187 | Driver Side Tarp Tube Shaft |
| E. | 1701208 | Cap Screw - 5/16" x 1 1/4" |
| H. | 1701199 | Shoulder Bolt - 3/8" x 1" |
| K. | 1700419 | Nylon Lock Nut - 5/16" |
| L. | 1700411 | Hex Nut - 5/16" |
| N. | 1700433 | Lock Washer - 5/16" |
| P. | 1700427 | Flat Washer - 1/4" |
| S. | 1701060 | External Retaining Ring - 1" |
| T. | 1701197 | Toggle Spacer |
| U. | 1701196 | Sleeve Bearing |

NOTE: For crank relocater installation instructions, go to next page.

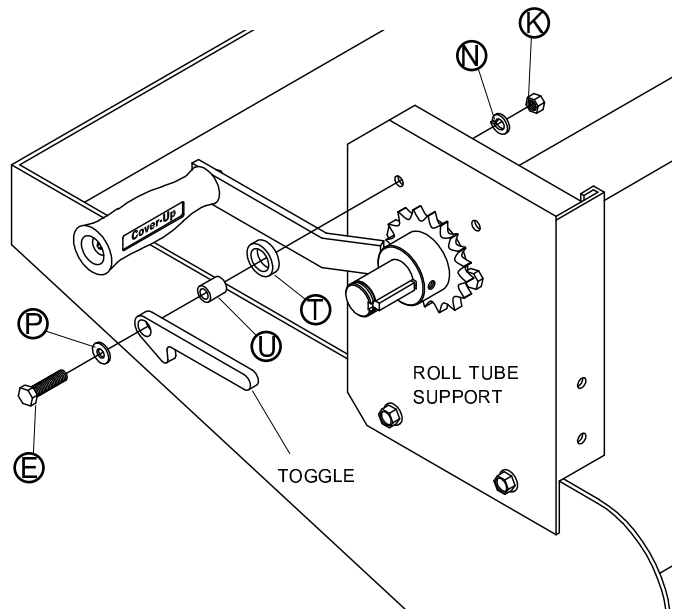
STEP 1: Insert key into keyway on driver side tarp tube shaft. Slide crank weldment on shaft and clip snap ring **S** into groove.



STEP 2: Secure plastic handle to crank weldment with screw **H** and nut **L**.

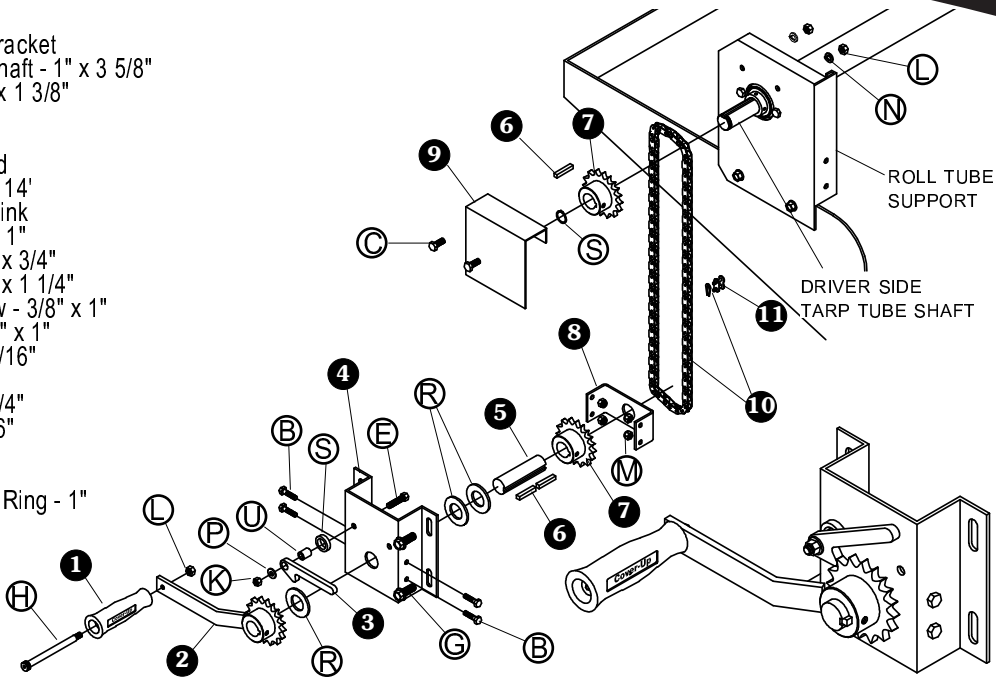


STEP 3: Assemble washer **P**, toggle, sleeve bearing **U** and toggle spacer **T** to roll tube support. Secure with screw **E**, washer **N** and nut **K**. Do not overtighten sleeve bearing and toggle spacer.



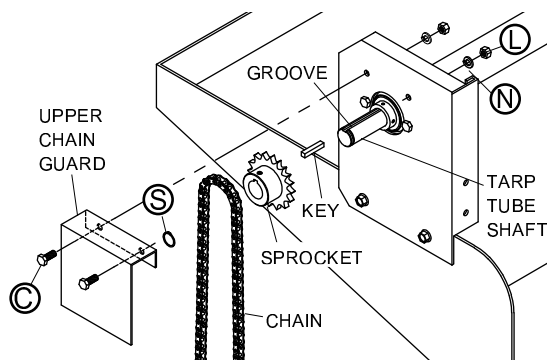
NOTE: Do not overtighten sleeve bearings.

| Item | Part # | Description |
|------|---------|-------------------------------------|
| 1. | 1701353 | Plastic Handle |
| 2. | 1105239 | Crank Weldment |
| 3. | 1701194 | Toggle |
| 4. | 1111749 | Crank Relocator Bracket |
| 5. | 1701220 | Crank Relocator Shaft - 1" x 3 5/8" |
| 6. | 1701056 | Square Key - 1/4" x 1 3/8" |
| 7. | 1106619 | Sprocket, 18 Tooth |
| 8. | 1111670 | Relocator Brace |
| 9. | 1106708 | Upper Chain Guard |
| 10. | 1109179 | Roller Chain/Link - 14' |
| 11. | 1701057 | Chain Connector Link |
| B. | 1700381 | Cap Screw - 1/4" x 1" |
| C. | 1701045 | Cap Screw - 5/16" x 3/4" |
| E. | 1701208 | Cap Screw - 5/16" x 1 1/4" |
| G. | 1700400 | Self-Tapping Screw - 3/8" x 1" |
| H. | 1701199 | Shoulder Bolt - 3/8" x 1" |
| K. | 1700419 | Nylon Lock Nut - 5/16" |
| L. | 1700411 | Hex Nut - 5/16" |
| M. | 1701543 | Nylon Lock Nut - 1/4" |
| N. | 1700433 | Lock Washer - 5/16" |
| P. | 1700427 | Flat Washer - 1/4" |
| R. | 1702733 | Flat Washer - 2" |
| S. | 1701060 | External Retaining Ring - 1" |
| T. | 1701197 | Toggle Spacer |
| U. | 1701196 | Sleeve Bearing |



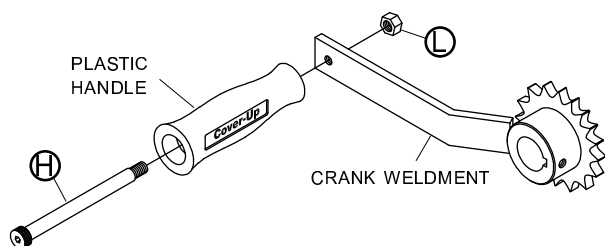
ASSEMBLED CRANK

STEP 1: Insert 1/4" key into keyway on driver side tarp tube shaft. Slide sprocket onto shaft. Fasten snap ring **S** into stub shaft groove.

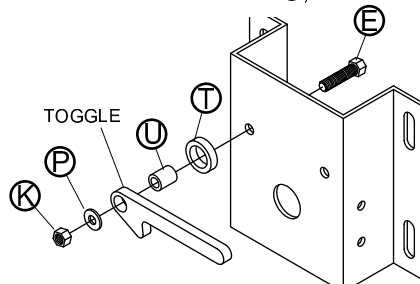


STEP 2: Lay chain over sprocket. Secure upper chain guard to driver side roll tube support with screws **C**, washers **N** and nuts **L**.

STEP 3: Secure plastic handle to crank weldment with screw **H** and nut **L**.

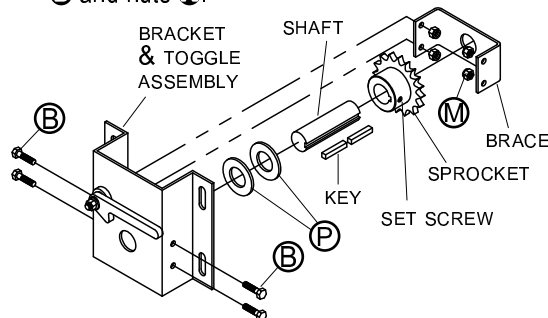


STEP 4: Assemble toggle spacer **T** and bearing to crank relocator bracket. Secure with screw **B**, washer **P** and nut **K**.



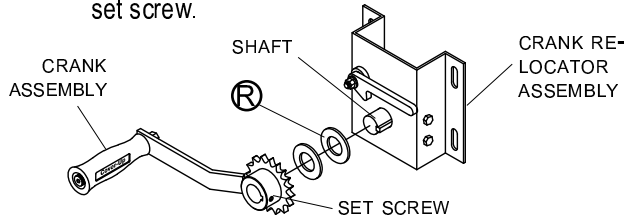
NOTE: Do not overtighten bearings.

STEP 5: Insert 1/4" key into keyway on shaft. Slide sprocket and washers **P** (2) onto shaft and place into brace. Secure bracket/toggle assembly to brace with screws **B** and nuts **M**.

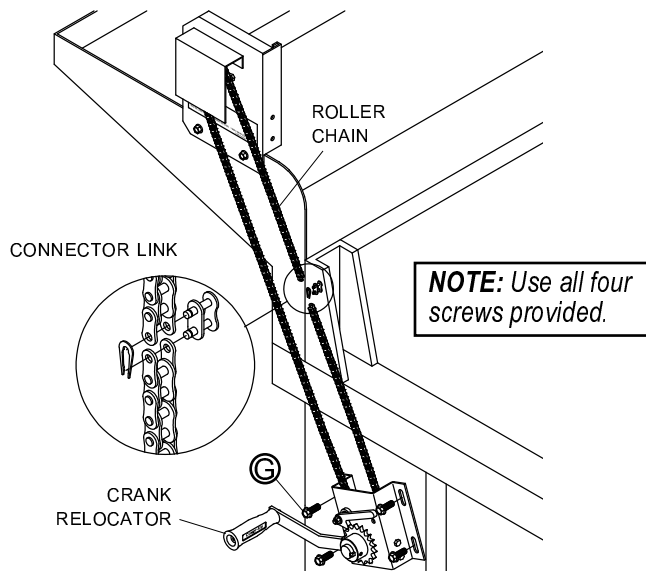


NOTE: Tighten set screw on sprocket after chain installation and final adjustments.

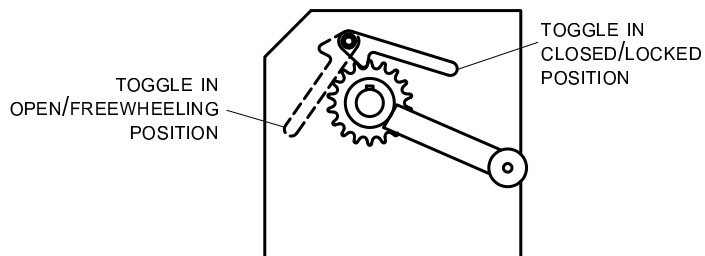
STEP 6: Secure washer **1** and crank assembly to shaft with set screw.



STEP 7: Locate crank relocator assembly on box, keeping sprockets in line and away from obstacles. Mark hole locations. Drill 5/16" holes and fasten to box with screws **G**. Finger tighten.



STEP 8: Install roller chain and connector link. Adjust chain tension so that each side of chain can be deflected about 1". Tighten all sprocket set screws (3) and screws **G** after all final adjustments have been made.

**CLOSE TARP:**

- Release toggle, remove rope from box hooks on side of box.
- Pull rope and tarp straight back until fixed tube is below gate hooks.
- Back-roll crank to set tarp tension, lock with toggle.
- Wind rope around rear box hooks.
- To remove slack from rope, stretch tarp strap and secure.

OPEN TARP:

- Unwind rope from rear box hooks.
- Release fixed tube from gate hooks.
- Crank tarp forward until tight and set toggle.
- Wind rope around box hooks on side of trailer.
- To remove slack from rope, stretch tarp strap and secure.

**CAUTION**

Grasp crank handle firmly before releasing toggle. Rotate slowly.

NOTES

1. Solid vinyl tarps require drain holes in order to prevent rain water from pooling. Press heated rod ($\varnothing 1/4''-1/2''$) through center of closed tarp to create drain hole with sealed edges.
2. Finished length of tarp may be longer than box length at time of order. Excess material will wrap around roll tube.
3. To reduce wind whip and extend tarp life, keep tension applied to tarp while driving vehicle.
4. Store tarp retracted inside cover when not in use to keep rain or snow from collecting on cover.

MORE QUALITY PRODUCTS FROM SHUR-CO®

- **Genuine Replacement Tarps**
- **Genuine Replacement Parts**

- **Agriculture Products**
 - Value Series Shur-Lok®
 - Super Duty Shur-Lok®
 - Shur-Lok® Junior
 - Premium Belt 'n Ratchet
 - Cable-Lok™
 - Turning Point™ Bow

- **SMARTrailer™ Accessories for Agriculture Products**
 - SMART2™ Remote
 - SMART1 +™ Remote
 - 4500 Series HD Electric
 - AutoTrap™ Hopper Opener
 - ProTrap® Hopper Opener
 - LiteALL™ Work Lights
 - Cable-Lok™ Electric Upgrade
 - Electric Turning Point™ Bow
 - Value Series Electric
 - Solar Power Pack

- **Flatbed Products**
 - ShurTite™ Retractable Tarps
 - Stock Lumber & Steel Tarps
 - Steel Tarps

- **Custom Products**
 - Fitted Truck Covers
 - Flat Utility Tarps
 - Bean Drill Covers
 - Shur-Lok® Tarp Cords

- **Construction Products**
 - Super Duty Shur-Lok®
 - Shur-Trak II™
 - Cover-Pro II®
 - Turning Point™ Bow
 - IronSide™ Side-Dump System
 - Arm-Matic™
 - DuraPull™
 - Econo-Pull™
 - Turbo Tarp2™
 - 2000 Series
 - 5000 Series
 - Hammer™
 - Bullet™
 - Flash™
 - Long Arm™

- **SMARTrailer™ Accessories for Construction Products**
 - 4500 Series HD Electric w/Gate Flex™
 - Shur-Trak II™ Electric Upgrade
 - Cover-Pro II® Electric Upgrade
 - Electric Turning Point™ Bow
 - Solar Power Pack

- **Waste Products**
 - The Ox™
 - Quick-Flip III™
 - Sidewinder™
 - Sidewinder™ 350
 - HyTower™ SL
 - HyTower™ DL
 - Double-Flip™

TARPING SYSTEMS & ACCESSORIES

