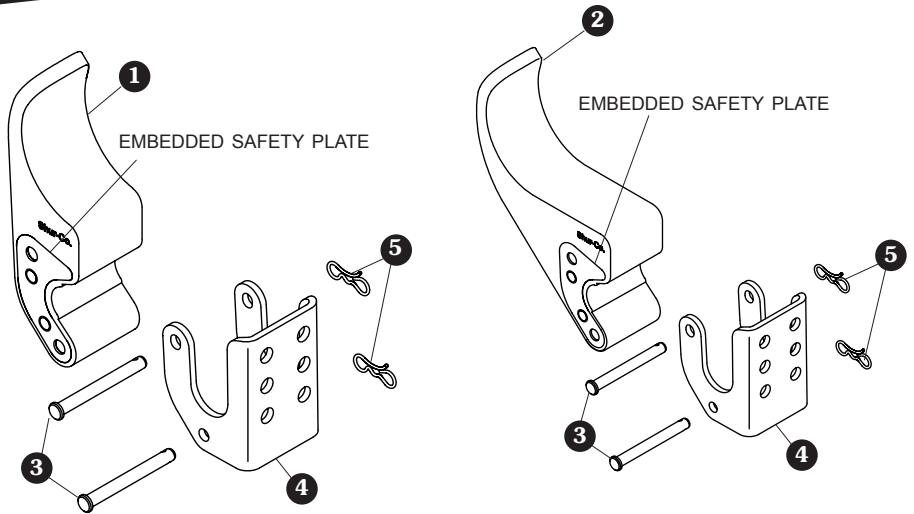


Item	Part #	Description
1.	1115216	Easy-Off Flexible Tarp Stop Upright w/Plate
2.	1115217	Easy-Off Flexible Tarp Stop Upright - 6" Offset w/Plate
3.	1703604	Clevis Pin - 5/16" x 2 7/8"
4.	1100833	Easy-Off Tarp Stop Body
5.	1704380	Bowtie Cotter Pins



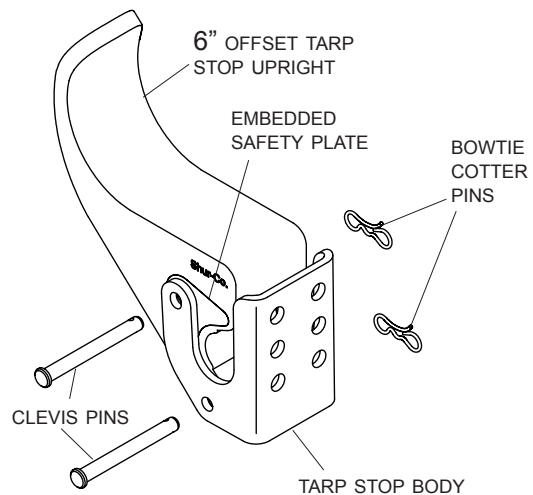
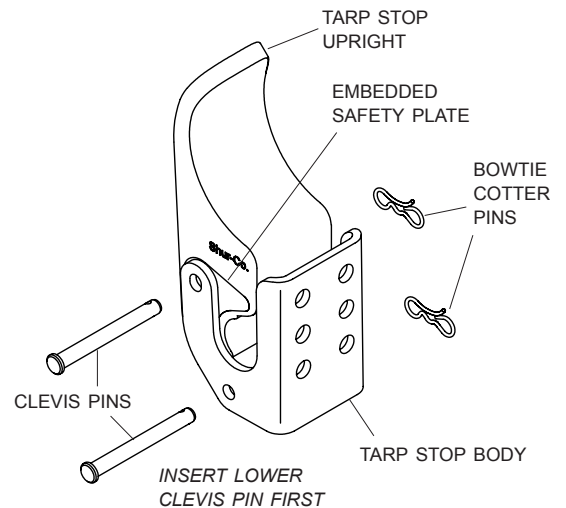
- Impact and abrasion resistant.
- Flexible uprights interchangeable with cast aluminum uprights.
- Maintain flexibility within a wide range of weather conditions.
- A safety plate is embedded on one side of the flexible upright.

STEP 1: Remove tarp stop upright from existing easy-off tarp stop assembly.

STEP 2: Locate and align flexible tarp stop upright with safety plate into tarp stop body.

STEP 3: Insert clevis pins (lower pin first) through tarp stop body, flexible tarp stop upright and second hole in tarp stop body. Secure with bowtie cotter pins.*

*See Owner's Manual to install Easy-Off Flexible Tarp Stop assembly on trailer.



WARNING

Inspect Easy-Off Flexible Tarp Stop Upright w/Plate before installing. A safety plate must be embedded into one side of the tarp stop. Installing the tarp stop without a safety plate could result in death or serious injury.