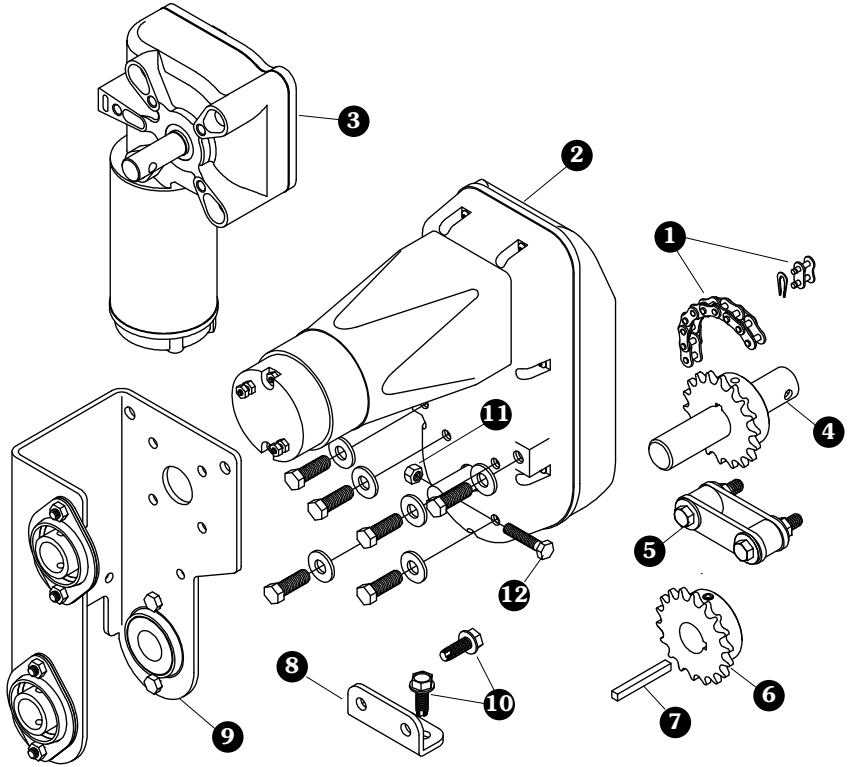
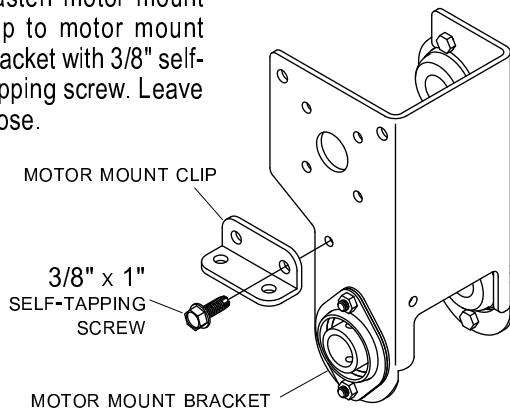


**NOTE:** If your truck configuration will not allow motor and bracket to be installed as shown, rotate motor bracket 180° (motor pointing down) and move bracket horizontally along shaft to where it fits best. Notch front cover and bolt clip to back side.

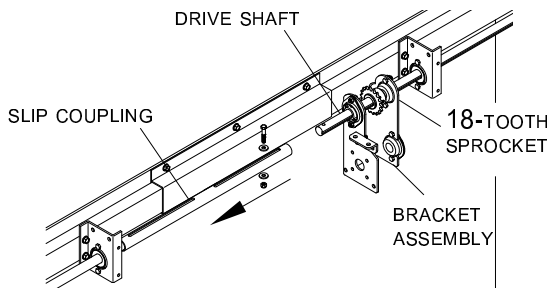
Item	Part #	Description
1.	1115383	Roller Chain Assembly - 21 1/2"
2.	1701498	Super Duty Electric Motor
3.	1121307	Durabuilt Electric Motor
4.	1115892	Countershaft Weldment
5.	1115037	Chain Tightener Assembly
6.	1106619	Sprocket, - 18 Tooth
7.	1701056	Square Key - 1/4" x 1 3/8"
8.	1115369	Motor Mount Clip
9.	1115382	Undercover Motor Mount Bracket Assembly
10.	1700400	Self-Tapping Screw - 3/8" x 1"
11.	1702492	Top Lock Nut - 5/16"
12.	1703487	Cap Screw - 5/16" x 1 1/2"



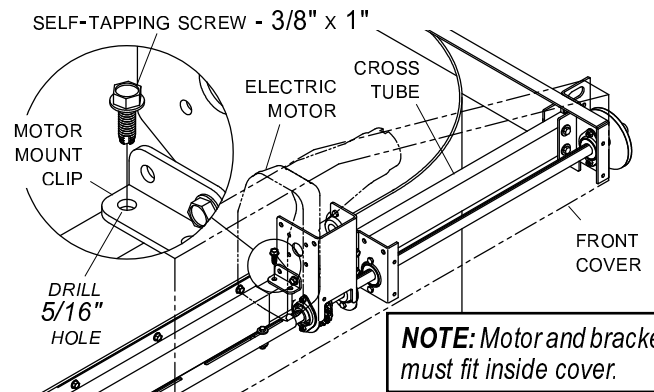
**STEP 1:** Fasten motor mount clip to motor mount bracket with 3/8" self-tapping screw. Leave loose.



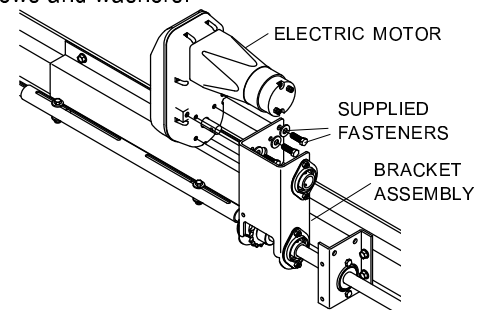
**STEP 2:** Remove fasteners and slide slip coupling toward passenger side of box. Slide bracket assembly over drive shaft, placing 18-tooth sprocket inside bracket. Replace slip coupling and secure fasteners.



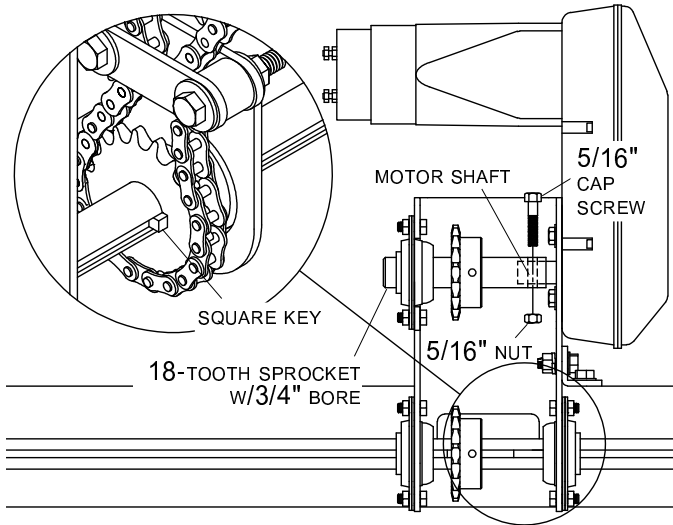
**STEP 3:** Locate bracket where motor and bracket will fit inside front cover. Align clip on cross tube, mark and drill 5/16" hole and fasten with 3/8" self-tapping screw. Tighten screws on clip.



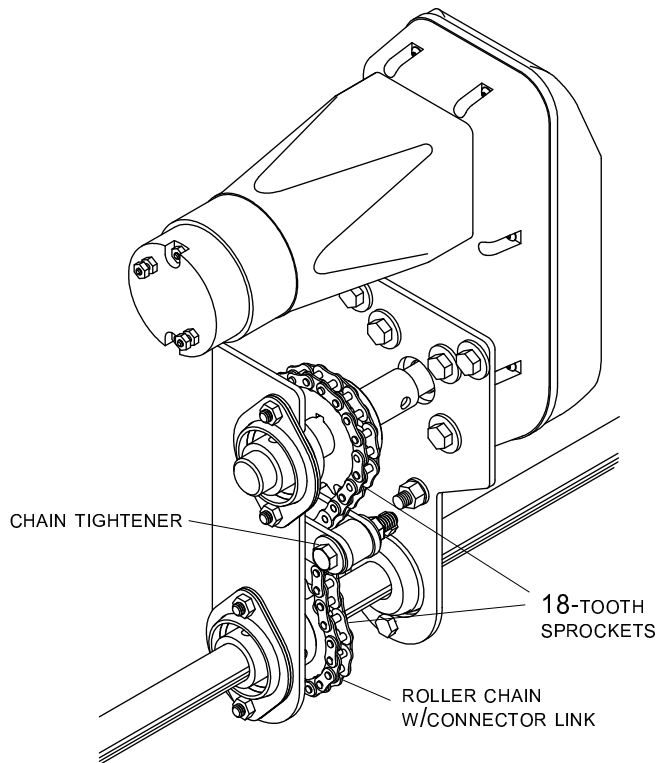
**STEP 4:** Install electric motor on bracket assembly with supplied screws and washers.



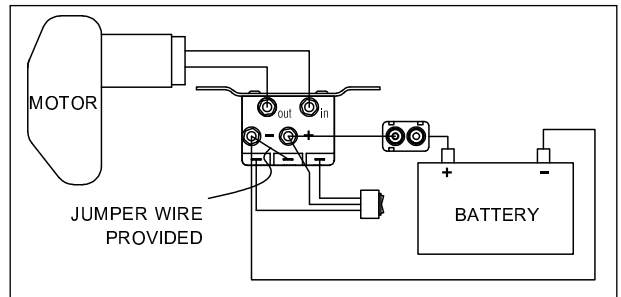
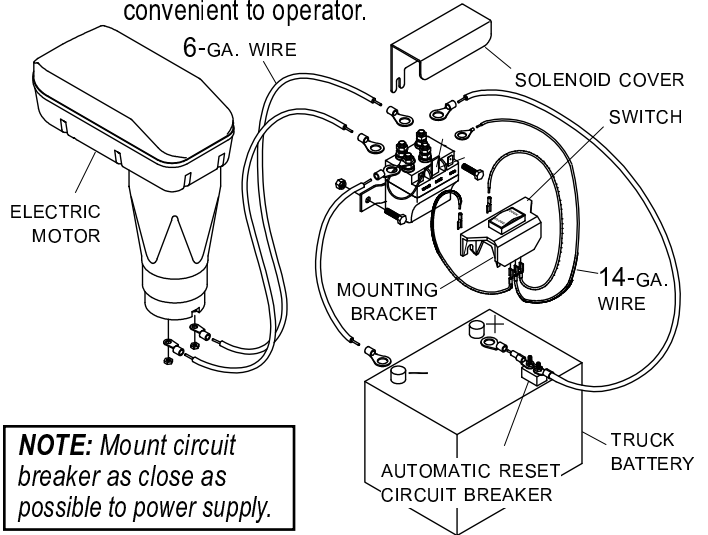
**STEP 5:** Fasten countershaft weldment to motor shaft with 5/16" cap screw and nut. Align sprockets vertically. Insert square key into groove in lower sprocket and tighten set screw.



**STEP 6:** Thread roller chain through chain tightener and around both sprockets. Install connector link.



**STEP 7:** Run 6-ga. wires from motor to solenoid and from solenoid to power supply as shown in diagram. Run 14-ga. wires from solenoid to switch. Locate switch in an area convenient to operator.



### WIRING TIPS

- Pick up power at battery or terminal block. Use 6-ga. wire or larger, especially for ground wire.
- Do not place wiring in areas where wire could be pinched or cut during operation. Be sure to loop extra wire at hinge area on dump bodies.
- If switch is running system backwards, reverse wires at motor to reverse system operation.
- Momentary contact switch must be held open or closed to operate system.

### DUAL POLE CONDUCTOR

