



TARPING SYSTEMS & ACCESSORIES

P/N 1113376 Rev. B

# OWNER'S MANUAL



## Belly Dumps, Dump Bodies & Pups

*READ BEFORE INSTALLING*

PO BOX 713 ■ 2309 SHUR-LOK STREET ■ YANKTON, SD 57078-0713  
PHONE 1-800-4-SHUR-LOK (1-800-474-8756) ■ FAX 605-665-0501  
[www.shurco.com](http://www.shurco.com)

SHOP ONLINE: [www.shopshurco.com](http://www.shopshurco.com)

**SHIPPING.** Orders are shipped F.O.B. from the Shur-Co®, LLC sites listed below. No full freight is allowed or prepaid shipment accepted unless quoted and approved in writing prior to acceptance of the order. All shipments are made by the most reasonable means in accordance with size and weight of order, unless specified routing instructions are furnished by the customer. Shipments are made daily via U.P.S. and common carrier. Claims for shortages must be made within 10 days. All claims for damages or loss in transit must be made with the carrier. No collect calls will be accepted. To ensure delivery of orders, we need your full street address and phone number. When you receive your shipment, examine it carefully. Be sure all cartons listed on the delivery sheet are accounted for. Large items may be packaged separately. If a carton is damaged, open it and inspect the contents before signing for delivery. If merchandise is damaged, describe damage on the delivery receipt. Failure on your part to document damaged or missing merchandise on the delivery receipt releases the carrier of all liability; repair or replacement will be the customer's responsibility.

**WARRANTY.** We warrant all new products are free of defects in materials and workmanship.\* This warranty is effective if products are properly installed and used for the purpose for which they were intended and applies to the original buyer only. Except as set forth above or in any product-specific warranty documentation, we make no other warranties, express or implied, including but not limited to warranties of merchantability of fitness for a particular use.

Returns of a product for warranty must be accompanied by a Return Merchandise Authorization number (RMA#), obtained by calling Customer Service at 866-748-7435, and sent, with freight paid by us, to Shur-Co®, LLC, 2309 Shur-Lok St., PO Box 713, Yankton, SD 57078. All products returned without an RMA# will be refused. When we issue the RMA#, we will also issue a call tag to have UPS (or other freight company) pick up the product. C.O.D. returns not accepted. We will pay no storage fees for a warranty product return prior to pick by us or the freight company. If a warranty product return is scheduled to be picked up by us, we will pick up the product at our earliest convenience.

If a product returned is found, in our judgement, to be defective in material or workmanship, our obligation under this warranty is limited to the repair or replacement of the product, which will be made by us. Repair or replacement will be at our discretion, with replacements being made using current products performing in the equivalent function. Labor charges, other than those incurred at our factory, including, but not limited to, any labor to install a repaired or replacement product, are not covered under this warranty. All expenses associated with delivering defective products to our factory and delivering repaired or replacement products from our factory to the owner will be paid by us.

If the product returned is found, in our judgement, to be non-warrantable, the owner will be contacted to authorize repair work, purchase of a replacement product or return of the product, all of which will be at the owner's expense. Payment authorization must be received by us before any non-warrantable product is repaired, replaced or returned. All expenses associated with delivering the repaired non-warrantable product, a replacement product or the non-warrantable product from our factory to the owner will be paid by the owner.

In no event will we be liable for any damages of any kind to person, product or property, including but not limited to indirect, incidental, special, consequential or punitive damages, or damages for loss of profits or revenue, even if we have been advised of the possibility of such damages. There are no warranties for used products or products that have been repaired, altered, modified or subjected to misuse, negligence or accident. We will not repair or replace products that fail or malfunction due to ordinary wear and tear, except as expressly noted in a product-specific warranty. Use of non-Shur-Co®, LLC parts in conjunction with Shur-Co®, LLC products will void this product warranty.

\*Certain products have specific warranties that differ from this warranty, for example motors and electronics. Product-specific warranty documentation is available for these items. In the event of a conflict between this warranty and a product-specific warranty, the product-specific warranty will govern.

**RETURN POLICY.** All sales final. See WARRANTY above for return details.

**OTHER.** All prices, product listings, sizes, weights and manufacturing details are subject to change without notice. No person is authorized to modify the foregoing conditions of sale whatsoever.

**SHUR-CO®, LLC SERVICE AND DISTRIBUTION CENTERS**

*Corporate HQ and Outlet Store*

**SHUR-CO® of SOUTH DAKOTA**  
2309 Shur-Lok St., PO Box 713  
Yankton, SD 57078-0713  
Ph 800.474.8756 | Fax 605.665.0501

*ShurTite™ Service Centers*

**SHUR-CO® of CANADA**  
490 Elgin St., Unit #1  
Brantford, Ontario N3S 7P8  
Ph 800.265.0823 | Fax 519.751.3997

**SHUR-CO® of SIOUX FALLS**  
47184 258th St., Suite B  
Sioux Falls, SD 57107  
Ph 844.573.9322 | Fax 605.543.5469

**SHUR-CO® of COLORADO**  
10220 Brighton Rd., Unit #1  
Henderson, CO 80640  
Ph 866.355.9173 | Fax 303.289.2298

**SHUR-CO® of FLORIDA**  
3353 SE Gran Park Way  
Stuart, FL 34997  
Ph 800.327.8287 | Fax 772.287.0431

**SHUR-CO® of ILLINOIS**  
3993 E. Mueller Ave.  
Decatur, IL 62526  
Ph 866.356.0246 | Fax 217.877.8270

**SHUR-CO® of IOWA**  
3839 Midway Blvd.  
Ft. Dodge, IA 50501  
Ph 866.356.0245 | Fax 515.576.5578

**SHUR-CO® of MICHIGAN**  
5100 Lakeshore Dr.  
Lexington, MI 48450  
Ph 800.327.8287 | Fax 772.287.0431

**SHUR-CO® of NORTH DAKOTA**  
1746 4th Ave. NW, Unit A  
West Fargo, ND 58078  
Ph 877.868.4488 | Fax 701.277.1283

**SHUR-CO® of OHIO**  
1100 N. Freedom, St. Rt. 88 & 14  
Ravenna, OH 44266  
Ph 866.356.0242 | Fax 330.297.5599

**SHUR-CO® of OKLAHOMA**  
1604 East US Hwy 66  
El Reno, OK 73036  
Ph 866.356.0243 | Fax 405.262.3842


**SHUR-CO® of TEXAS**  
34505 I-10 West, S. Frontage Rd.  
Brookshire, TX 77423  
Ph 866.689.0039 | Fax 281.934.3311

**SHUR-CO® UK, Ltd.**  
Unit 41 Rochester Airport Estates  
Laker Rd., Rochester, Kent ME1 3QX  
Ph +44 (0)1795.473499  
Fax +44 (0)871.272.8278

For more information, log on to our website:  
**www.shurco.com**

**MESSAGE TO OWNERS**

Thank you for buying this tarping system from Shur-Co® We appreciate your confidence in our products. Please read and thoroughly understand this manual before installing and/or operating this system.

Pay particular attention to important safety and operating instructions, as well as warnings and cautions. The hazard symbol  is used to alert users to potentially hazardous conditions and is followed by caution, warning or danger messages.

Failure to READ AND FOLLOW INSTRUCTIONS could result in failure of your tarping system and/or personal injury. Your trailer requirements may, however, call for minor variations to these instructions.

Please inspect your tarping system periodically. Repair or replace worn or damaged parts to your system.

QUESTIONS? CALL OUR HELP LINE:

**1-866-748-7435**

MON-FRI 8 AM-5 PM CENTRAL TIME

**SAFETY**

We at Shur-Co® are concerned with your safety and the safety of all those operating this system. Therefore, we have provided safety decals at various locations on your tarping system. Keep decals as clean as possible at all times. Replace any decal that has become worn or damaged, painted over or otherwise difficult to read. Replacement decals are available through Shur-Co® dealers.

**SAFETY INSTRUCTIONS**

- 1. Always wear safety glasses during installation.**
- 2. Keep body and clothing clear of moving parts.**
- 3. Do not operate under potentially dangerous obstacles.**
- 4. Always check for overhead obstructions before cranking.**

**RUST PREVENTION**

To prevent rust, paint all exposed metal such as weld seams and/or metal exposed by grinding or cutting, with corrosion-resistant paint.

**TABLE OF CONTENTS**

- Hardware Identification..... 1
- Operation..... 1
- Maintenance..... 1
- Front Drive Assembly ..... 2
- Replacement Parts ..... 3-4
- Windshield Installation..... 5
- Arm Assembly..... 5-7
- Crank Installation..... 8
- Final Adjustments ..... 8

**TOOLS REQUIRED**

- 1. Steel Welder
- 2. Hammer
- 3. #3 Phillips Screw Driver Bit
- 4. 5/16" Nut Driver Bit
- 5. 9/16" Wrench
- 6. 1/2" Wrench
- 7. 3/4" Wrench
- 8. 11/32" Drill Bit
- 9. 3/16" Drill Bit (for Phillips Sheet Metal Screws)
- 10. 5/16" Drill Bit (for 3/8" Self-Threading Bolts)
- 11. Retaining Ring Pliers
- 12. Punch
- 13. 1/8" Allen Key (for Bearings)
- 14. 5/32" Allen Key (for Crank Sprocket)
- 15. 3/16" Allen Key (for Sprocket)
- 16. Metal Saw
- 17. Air or Electric Impact Wrench w/9/16" Socket
- 18. Drill



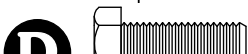
**A** 1701471 Self-Drilling Screw - #12 x 1"



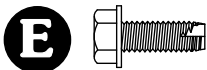
**B** 1700398 Self-Drilling Screw - 1/4" x 3/4"



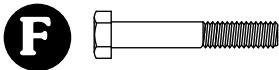
**C** 1701045 Cap Screw - 5/16" x 3/4"



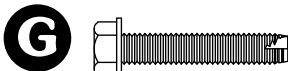
**D** 1702075 Cap Screw - 1/2" x 1 1/2"



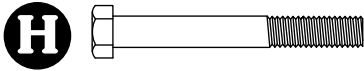
**E** 1700400 Self-Tapping Screw - 3/8" x 1"



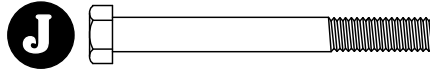
**F** 1701420 Cap Screw - 5/16" x 2"



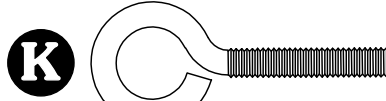
**G** 1701544 Self-Tapping Screw - 3/8" x 2"



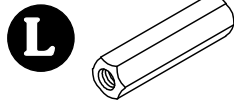
**H** 1700371 Cap Screw - 3/8" x 3"



**J** 1703048 Cap Screw - 3/8" x 3 1/2"



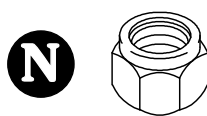
**K** 1701598 Eyebolt - 5/16" x 2"



**L** 1703049 Coupling Nut - 1/4" x 1 3/4"



**M** 1702114 Flat Washer - 1/2"



**N** 1702115 Nylon Lock Nut - 1/2"



**P** 1700418 Centerlock Nut - 3/8"



**R** 1700419 Nylon Lock Nut - 5/16"



**S** 1700407 Hex Nut - 3/8"



**T** 1700408 Hex Nut - 1/4"



**U** 1700434 Lock Washer - 3/8"



**V** 1701543 Nylon Lock Nut - 1/4"



**W** 1700429 Flat Washer - 3/8"



**X** 1700427 Flat Washer - 1/4"



**Y** 1703052 Nylon Washer - 3/4"



**Z** 1702890 Flat Washer - 1 1/4"

**OPERATION & MAINTENANCE**

**Close tarp.** Turn handle clockwise to close tarp. As tarp closes, Duo-Latches on tarp tube will snap onto Duo-Catches on box. Turn handle counter-clockwise to apply tension to tarp. If tarp re-opens, crank clockwise again until Duo-Latches snap onto Duo-Catches.

**NOTE:** To reduce wind whip and extend tarp life, keep tension applied to tarp when driving vehicle.

Lubricate drive chain with medium-weight oil.

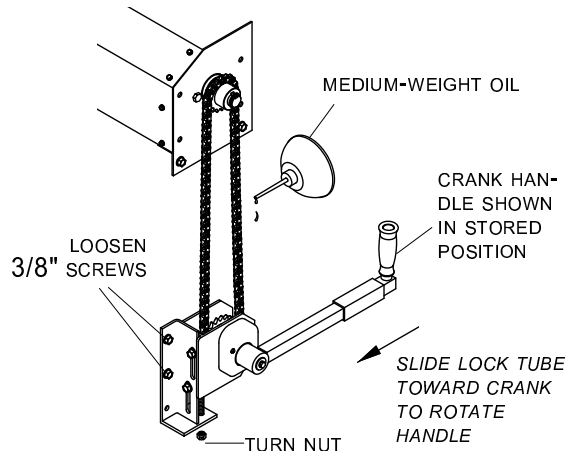
To adjust tension on chain, first loosen 3/8" screws on side of mounting bracket, then turn nut below mounting bracket. When chain tension is such that each side may be deflected about 1", tighten 3/8" screws.

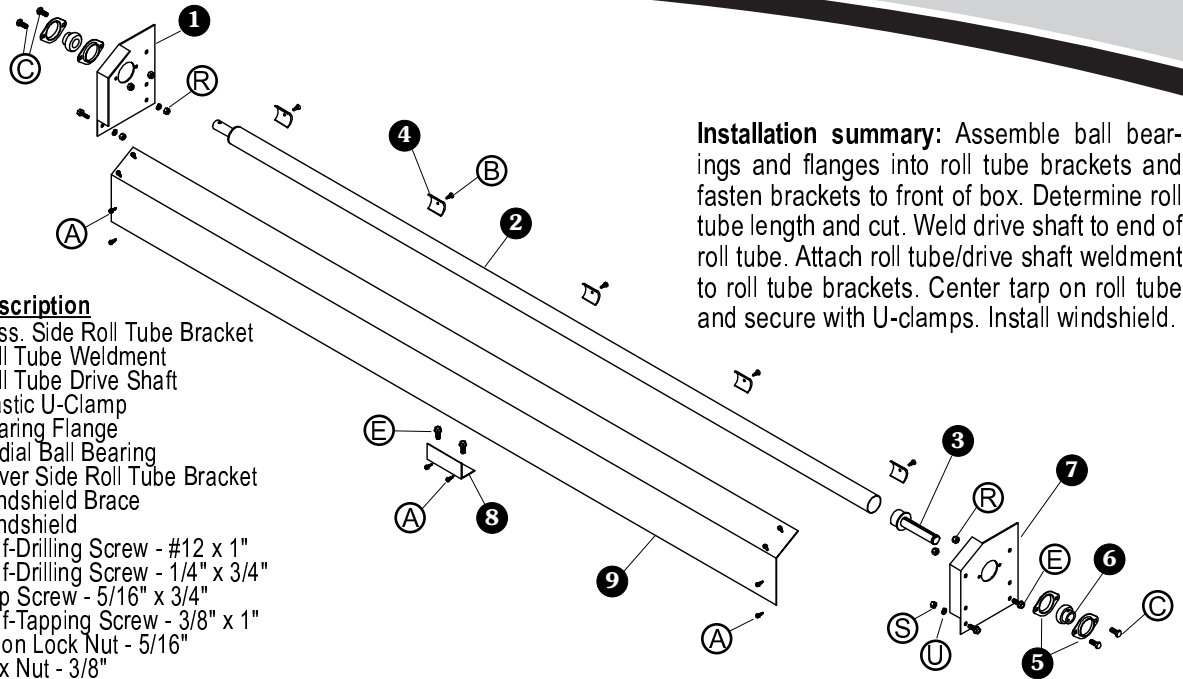
To increase side clearance on truck when crank is not in use, store crank handle as shown. To rotate handle, slide lock tube toward crank to release handle and rotate handle a quarter turn.

**CAUTION**  
Inspect Arm System periodically. Replace damaged or worn parts to prevent personal injury or system failure.

**Open Tarp.** To release tarp, pull latch handle. Turn handle counter-clockwise to open.

**NOTE:** To keep rain or snow from collecting on cover when in storage, retract tarp inside housing.

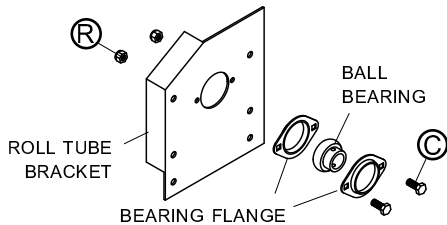




**Installation summary:** Assemble ball bearings and flanges into roll tube brackets and fasten brackets to front of box. Determine roll tube length and cut. Weld drive shaft to end of roll tube. Attach roll tube/drive shaft weldment to roll tube brackets. Center tarp on roll tube and secure with U-clamps. Install windshield.

Item	Part #	Description
1.	1113171	Pass. Side Roll Tube Bracket
2.	1113798	Roll Tube Weldment
3.	1112892	Roll Tube Drive Shaft
4.	1701354	Plastic U-Clamp
5.	1701054	Bearing Flange
6.	1702594	Radial Ball Bearing
7.	1113172	Driver Side Roll Tube Bracket
8.	1113835	Windshield Brace
9.	1113175	Windshield
A	1701471	Self-Drilling Screw - #12 x 1"
B	1700398	Self-Drilling Screw - 1/4" x 3/4"
C	1701045	Cap Screw - 5/16" x 3/4"
E	1700400	Self-Tapping Screw - 3/8" x 1"
R	1700419	Nylon Lock Nut - 5/16"
S	1700407	Hex Nut - 3/8"
U	1700434	Lock Washer - 3/8"

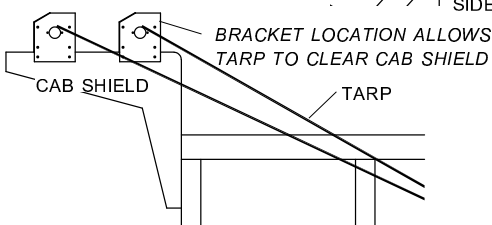
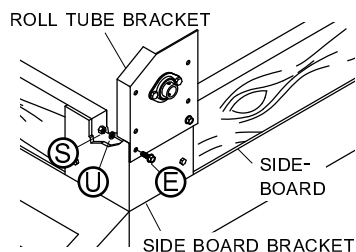
**STEP 1: Roll tube support brackets.** Assemble ball bearing into bearing flange. Attach to outside of roll tube brackets with screws **C** and nuts **R**. Finger tighten.



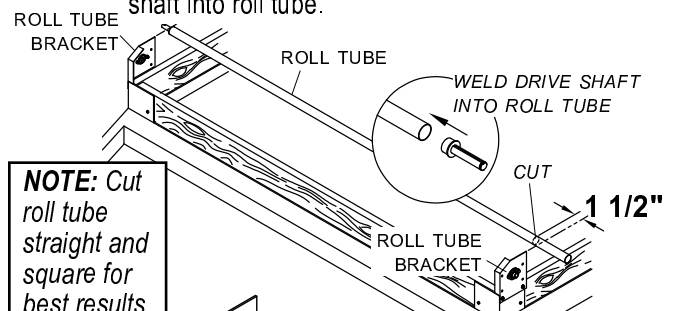
**NOTE:** Bracket location must allow tarp to open and close freely. If bracket is mounted too low, cab shield will interfere with tarp when tarp is rolled up.

**STEP 2:** Locate and drill 5/16" holes. Mount roll tube brackets to front end of box with screws **E**, washers **U** and nuts **S**. Bolt to steel framework on box or side boards.

**NOTE:** If mounting to side-boards only, secure roll tube brackets to side board with 3/8" x 2 1/2" carriage bolt (not included).

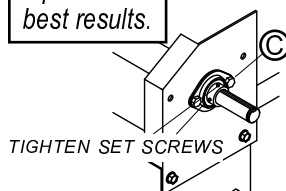


**STEP 3:** Cut roll tube 1 1/2" shorter than the distance between the outside edges of roll tube brackets. Weld drive shaft into roll tube.

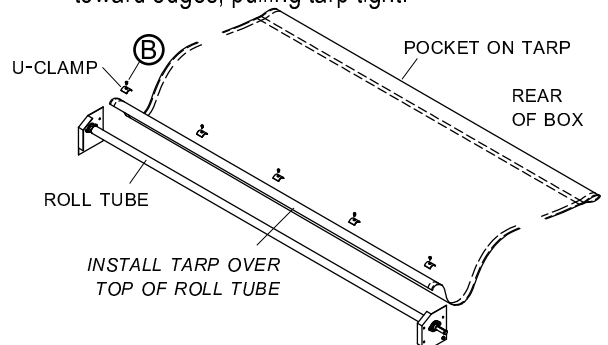


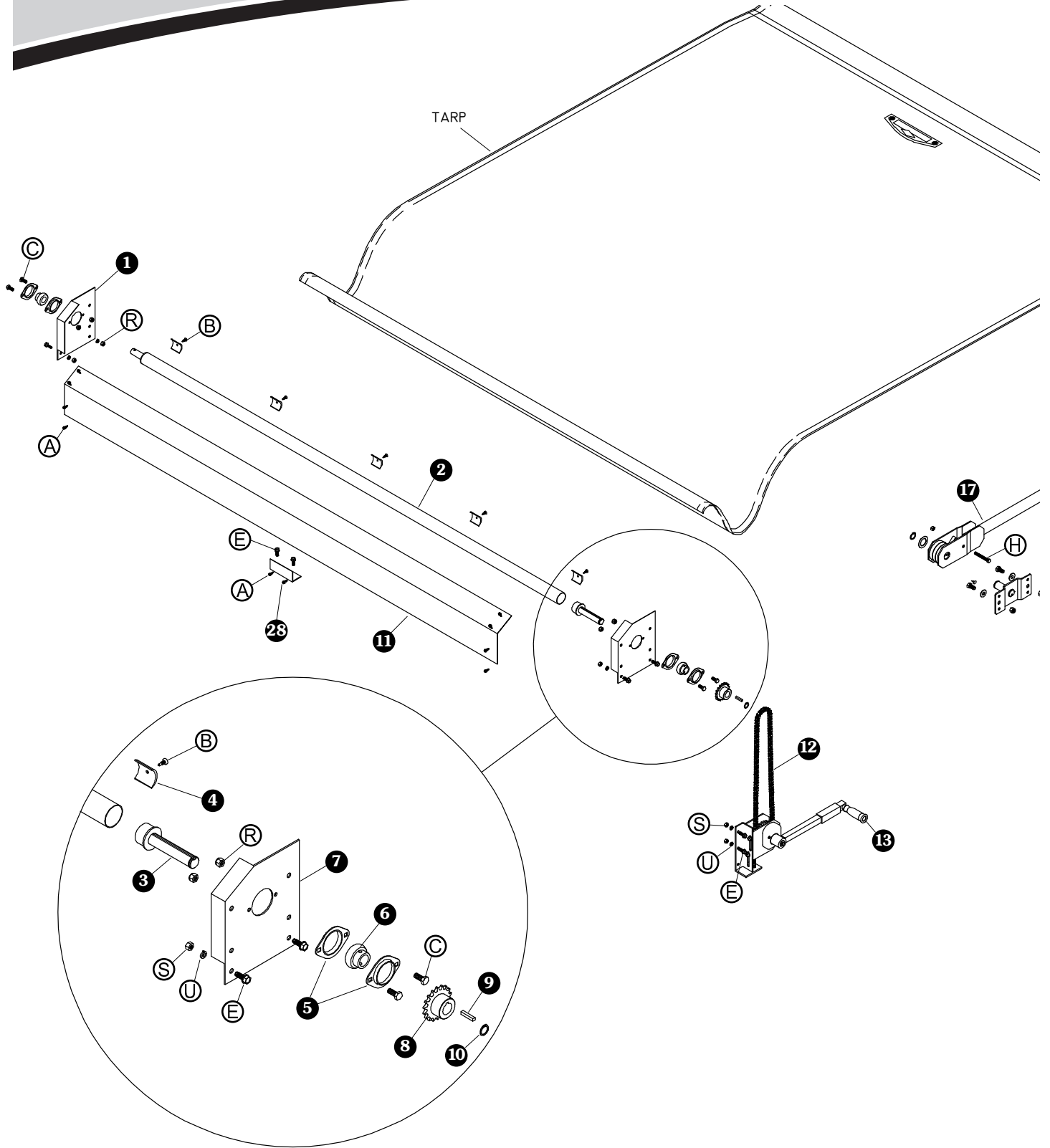
**NOTE:** Cut roll tube straight and square for best results.

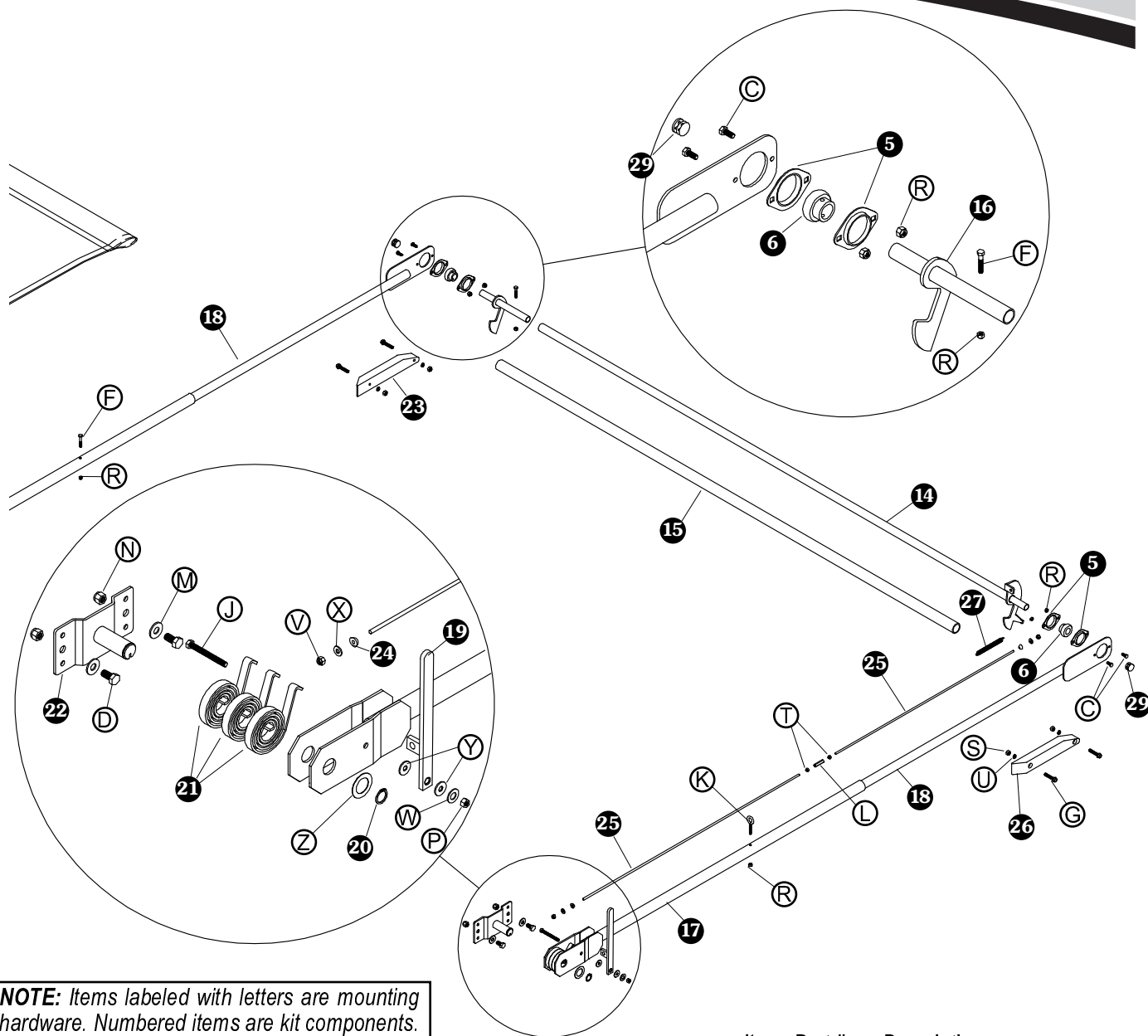
**STEP 4:** Insert roll tube into brackets and tighten ball bearing set screws on both ends. Tighten screws **C**.



**STEP 5: Tarp installation.** Center and square tarp on roll tube with tarp pocket at rear of box. Fasten tarp to roll tube with U-clamps and screws **B**. Start at center and work toward edges, pulling tarp tight.



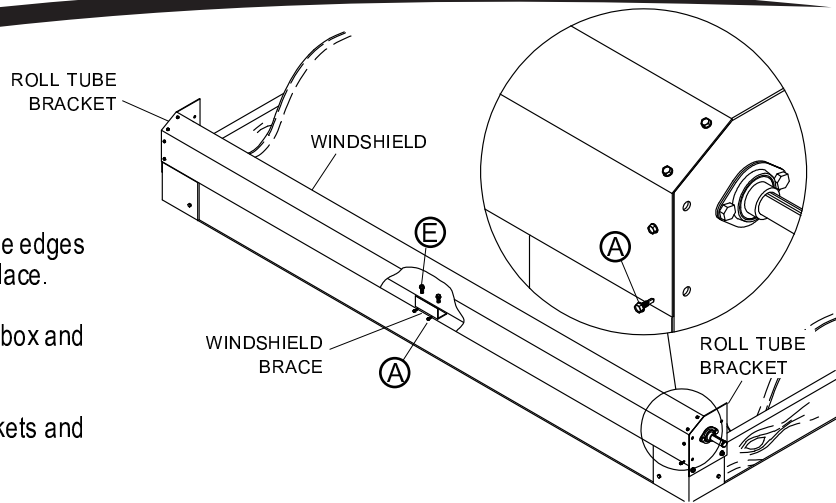




**NOTE:** Items labeled with letters are mounting hardware. Numbered items are kit components.

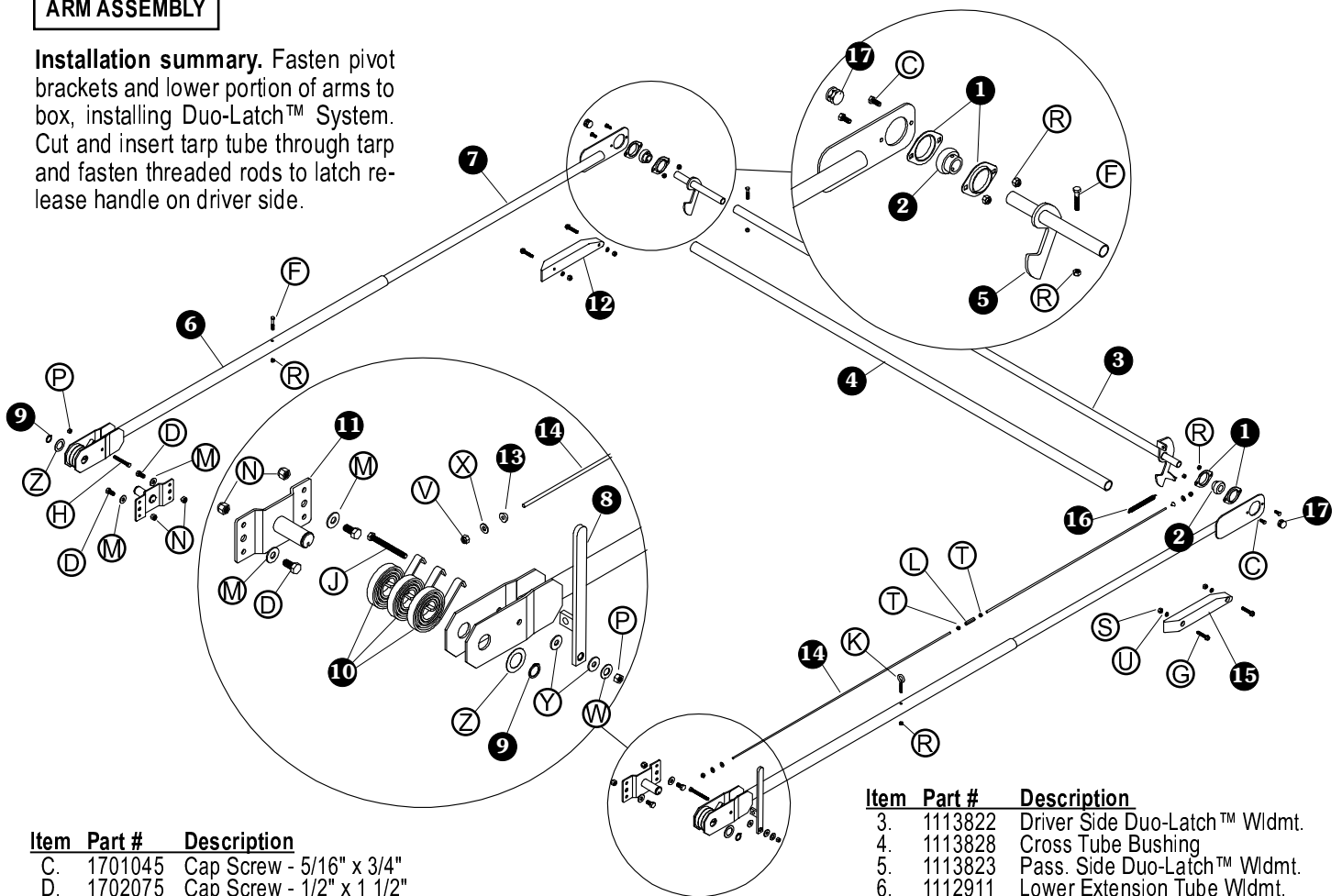
Item	Part #	Description	Item	Part #	Description	Item	Part #	Description
A	1701471	Self-Drilling Screw - #12 x 1"	U	1700434	Lock Washer - 3/8"	12.	1109179	Roller Chain/Link - 14'
B	1700398	Self-Drilling Screw - 1/4" x 3/4"	V	1701543	Nylon Lock Nut - 1/4"	13.	1114064	Chain Drive Crank Arm Kit
C	1701045	Cap Screw - 5/16" x 3/4"	W	1700429	Flat Washer - 3/8"	14.	1113822	Driver Side Duo-Latch™ Wldmt.
D	1702075	Cap Screw - 1/2" x 1 1/2"	X	1700427	Flat Washer - 1/4"	15.	1113828	Cross Tube Bushing
E	1700400	Self-Tapping Screw - 3/8" x 1"	Y	1703052	Nylon Washer - 3/4"	16.	1113823	Pass. Side Duo-Latch™ Wldmt.
F	1701420	Cap Screw - 5/16" x 2"	Z	1702890	Flat Washer - 1 1/4"	17.	1112911	Lower Extension Tube Wldmt.
G	1701544	Self-Tapping Screw - 3/8" x 2"	1.	1113171	Pass. Side Roll Tube Bracket	18.	1113830	Upper Extension Tube Wldmt.
H	1700371	Cap Screw - 3/8" x 3"	2.	1113798	Roll Tube Weldment	19.	1113819	Latch Release Handle
J	1703048	Cap Screw - 3/8" x 3 1/2"	3.	1112892	Roll Tube Drive Shaft	20.	1702888	External Retaining Ring - 1 1/4"
K	1701598	Eyebolt Anchor - 5/16" x 2"	4.	1701354	Plastic U-Clamp	21.	1111027	Spiral Torsion Spring
L	1703049	Coupling Nut - 1/4" x 1 3/4"	5.	1701054	Bearing Flange	22.	1113173	Pivot Bracket Weldment
M	1702114	Flat Washer - 1/2"	6.	1702594	Radial Ball Bearing	23.	1113825	Passenger Side Duo-Catch
N	1702115	Nylon Lock Nut - 1/2"	7.	1113172	Driver Side Roll Tube Bracket	24.	1113826	Spherical Bushing
P	1700418	Centerlock Nut - 3/8"	8.	1106619	Sprocket - 18-Tooth	25.	1703046	Threaded Rod - 1/4" x 72"
R	1700419	Nylon Lock Nut - 5/16"	9.	1701056	Key - 1/4" x 1/4" x 1 3/8"	26.	1113824	Driver Side Duo-Catch
S	1700407	Hex Nut - 3/8"	10.	1701060	External Retaining Ring - 1"	27.	1703045	Extension Spring - 9/16" x 6"
T	1700408	Hex Nut - 1/4"	11.	1113175	Windshield	28.	1113835	Windshield Brace
						29.	1701595	End Plug - 1"

- STEP 6: Windshield installation.**  
Cut windshield to fit flush with outside edges of roll tube brackets and clamp in place.
- STEP 7:** Center windshield brace on front of box and secure with screws **B**.
- STEP 8:** Fasten windshield to roll tube brackets and then to brace with screws **A**.



**ARM ASSEMBLY**

**Installation summary.** Fasten pivot brackets and lower portion of arms to box, installing Duo-Latch™ System. Cut and insert tarp tube through tarp and fasten threaded rods to latch release handle on driver side.



Item	Part #	Description
C.	1701045	Cap Screw - 5/16" x 3/4"
D.	1702075	Cap Screw - 1/2" x 1 1/2"
F.	1701420	Cap Screw - 5/16" x 2"
G.	1701544	Self-Tapping Screw - 3/8" x 2"
H.	1700371	Cap Screw - 3/8" x 3"
J.	1703048	Cap Screw - 3/8" x 3 1/2"
K.	1701598	Eyebolt Anchor - 5/16" x 2"
L.	1703049	Coupling Nut - 1/4" x 1 3/4"
M.	1702114	Flat Washer - 1/2"
N.	1702115	Nylon Lock Nut - 1/2"
P.	1700418	Centerlock Nut - 3/8"
R.	1700419	Nylon Lock Nut - 5/16"
S.	1700407	Hex Nut - 3/8"

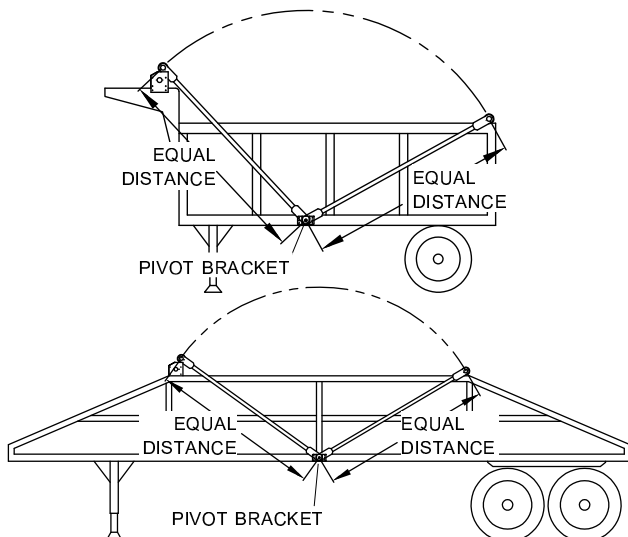
Item	Part #	Description
T.	1700408	Hex Nut - 1/4"
U.	1700434	Lock Washer - 3/8"
V.	1701543	Nylon Lock Nut - 1/4"
W.	1700429	Flat Washer - 3/8"
X.	1700427	Flat Washer - 1/4"
Y.	1703052	Nylon Washer - 3/4"
Z.	1702890	Flat Washer - 1 1/4"
1.	1701054	Bearing Flange
2.	1702594	Radial Ball Bearing

Item	Part #	Description
3.	1113822	Driver Side Duo-Latch™ Wldmt.
4.	1113828	Cross Tube Bushing
5.	1113823	Pass. Side Duo-Latch™ Wldmt.
6.	1112911	Lower Extension Tube Wldmt.
7.	1113830	Upper Extension Tube Wldmt.
8.	1113819	Latch Release Handle
9.	1702888	External Retaining Ring - 1 1/4"
10.	1111027	Spiral Torsion Spring
11.	1113173	Pivot Bracket Weldment
12.	1113825	Passenger Side Duo-Catch
13.	1113826	Spherical Bushing
14.	1703046	Threaded Rod - 1/4" x 72"
15.	1113824	Driver Side Duo-Catch
16.	1703045	Extension Spring - 9/16" x 6"
17.	1701595	End Plug - 1"

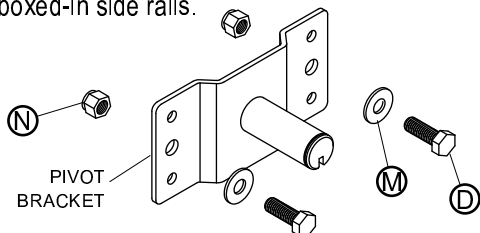


**STEP 9: Locate pivot brackets.** Locate brackets an equal distance between front and rear of trailer where arm will rest on box when in open and closed positions. Mark locations.

**NOTE:** Cross tube may rest on top of or behind roll tube brackets when tarp is open. Behind allows more room to load over arms while on top allows more loading area in box.

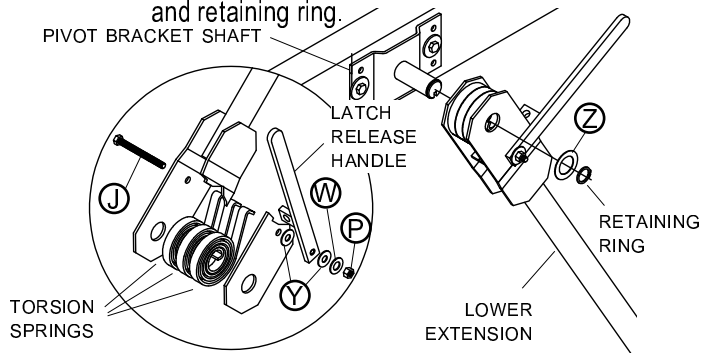


**STEP 10:** Drill holes and fasten pivot brackets with screws **G**, washers **H** and nuts **I**. **Option:** Use four 3/8" self-tapping screws for blind holes, enclosed side rails or boxed-in side rails.



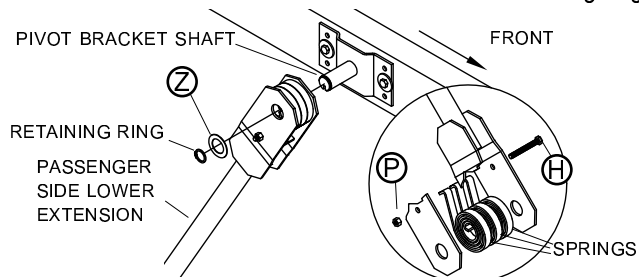
**NOTE:** Tapered, wedged or sloped trailers may require additional bracketry to offset and square arms with trailer.

**STEP 11: Lower extension and springs - driver side.** Insert screw **J** through holes in extension. Slide lower extension onto pivot bracket shaft while adding springs. Make sure ears on spring are above screw **J**. Install one washer **K**, latch release handle, second washer **L**, washer **M** and nut **N**. Secure arm with washer **O** and retaining ring.

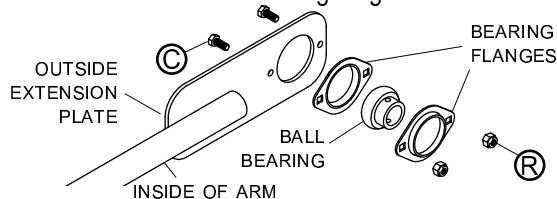


**STEP 12: Passenger side.**

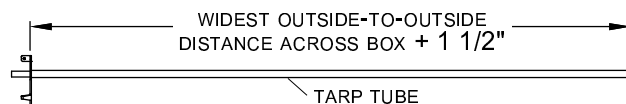
Insert screw **P** through holes on extension and secure with nut **Q** as shown. Slide lower extension onto pivot bracket shaft while adding springs. Make sure ears on spring are above screw **P**. Secure with washer **R** and retaining ring.



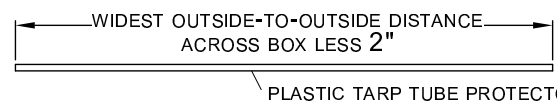
**STEP 13: Upper extension.** Assemble ball bearings into bearing flanges. Attach to inside of extension plates with screw **C** and nut **D**. Finger tighten.



**STEP 14: Duo-latches.** Cut tarp tube 1 1/2" longer than widest outside-to-outside distance across box.

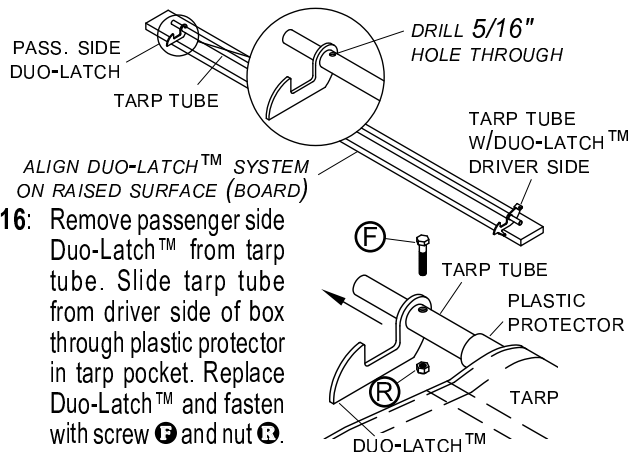


Cut plastic tarp tube protector 2" less than distance across outside of box. Insert protector into rear pocket on tarp.

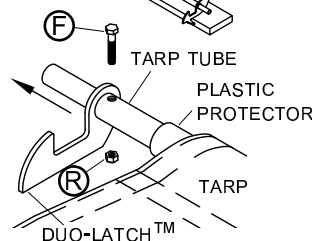


**STEP 15:** Insert passenger side Duo-Latch™ into tarp tube. Align Duo-Latches by laying assembly on a raised, flat surface. Hold firmly and drill 5/16" hole through tubes.

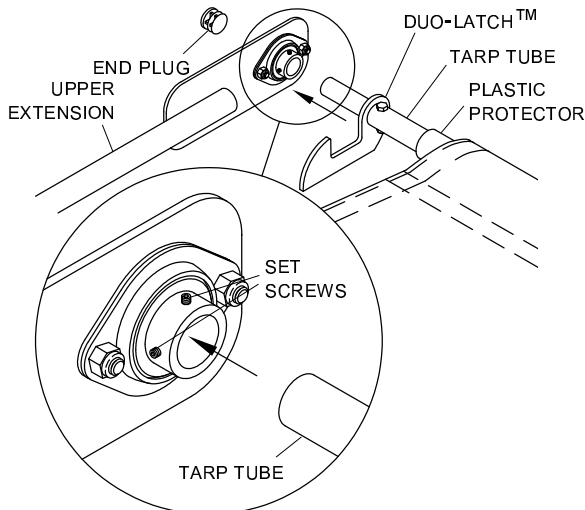
**NOTE:** Duo-Latches must be aligned or system will not latch.



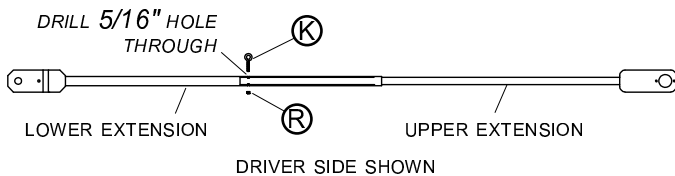
**STEP 16:** Remove passenger side Duo-Latch™ from tarp tube. Slide tarp tube from driver side of box through plastic protector in tarp pocket. Replace Duo-Latch™ and fasten with screw **F** and nut **G**.



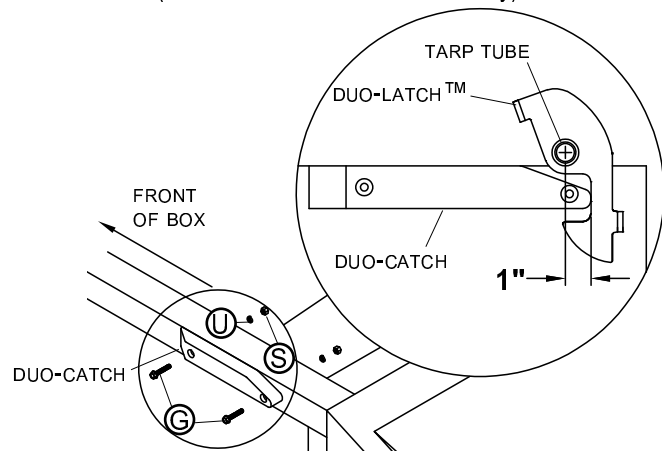
**STEP 17:** Insert tarp tube into bearing assembly and tighten set screws and bearing flange screws. Insert end plug. Repeat on opposite side.



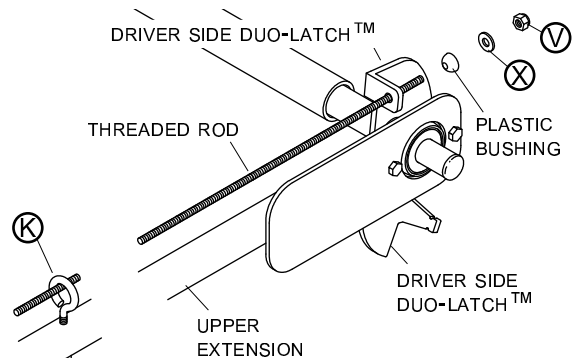
**STEP 18:** Insert upper extension tubes into lower extension tubes as shown. Rest tarp tube/arm assembly on top of box with tarp tube resting on previously marked location at rear of box (see step 9). Adjust arm lengths; driver and passenger side arms must be equal in length. Drill 5/16" holes through both tubes. Fasten driver side with screw (K) and nut (R). Fasten passenger side with screw (F) and nut (B).



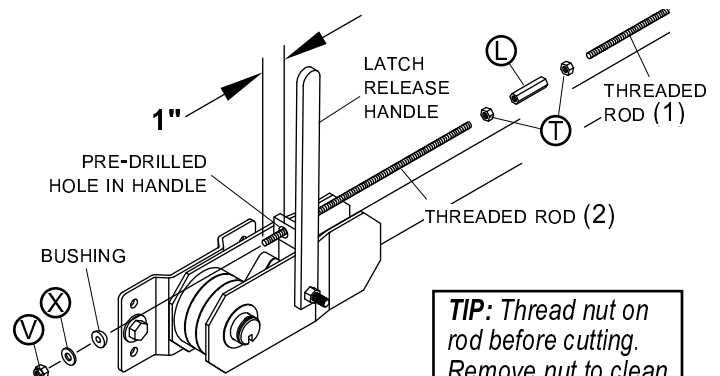
**STEP 19: Duo-catches.** Locate Duo-Catch flush with top of box, 1" behind point where tarp tube rests at rear of box. Mark and drill 3/8" holes (enclosed side rails 5/16" holes). Fasten with screws (G), washers (U) and nuts (S) (enclosed side rails screw (G) only).



**STEP 20: Threaded rod.** Slide threaded rod through eyebolt (K) and pre-drilled hole in driver side Duo-Latch™. Secure rod to latch with bushing, washer (X) and nut (V).

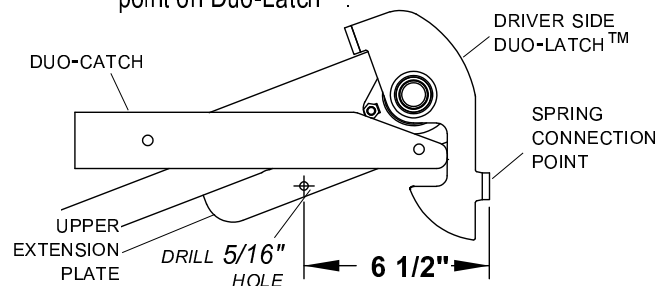


**STEP 21:** Fasten threaded rod (2) to threaded rod (1) with coupling nut (L) and nuts (T). Cut second threaded rod to extend 1" past pre-drilled hole in latch release handle. Insert end through pre-drilled hole in latch release handle and fasten with bushing, washer (X) and nut (V).

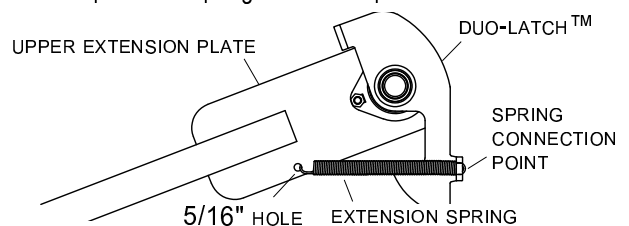


**TIP:** Thread nut on rod before cutting. Remove nut to clean threads after cutting.

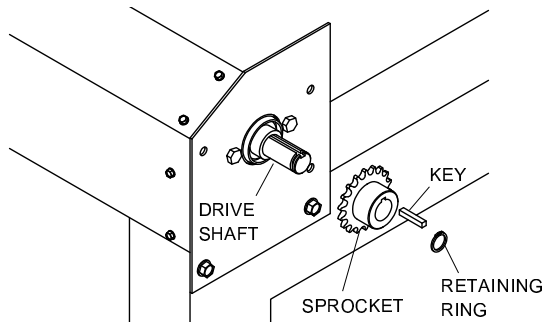
**STEP 22: Spring.** Press driver side Duo-Latch™ against Duo-Catch located on box. Locate and drill 5/16" hole in upper extension plate 6 1/2" from spring connection point on Duo-Latch™.



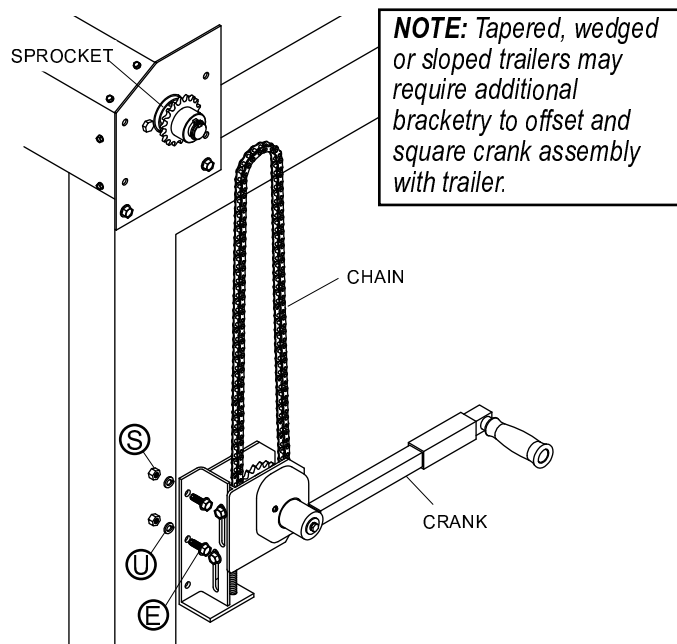
**STEP 23:** Attach ends of extension spring to hole in upper extension plate and spring connection point on Duo-Latch™.



**STEP 24:** Assemble sprocket, key and retaining ring to roll tube/ drive shaft weldment.



**STEP 25:** Mount crank in line with sprocket. Attach and adjust chain top to bottom.

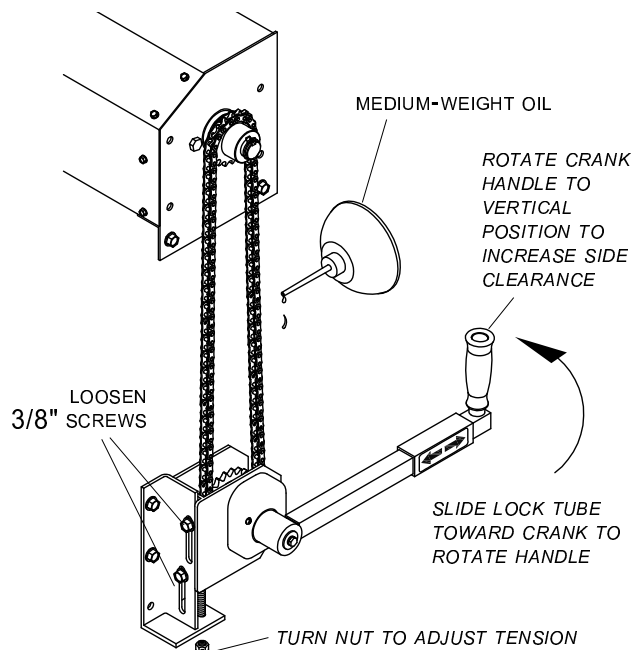


**To Adjust:** Adjust tension on chain by first loosening the 3/8" screws on the side of the mounting bracket, then turning the nut below the mounting bracket. When chain tension is such that each side may be deflected about 1", tighten 3/8" screws.

**To Operate:** This crank handle is designed to easily collapse against the side of the box when not in use. Just slide lock tube toward crank body and rotate handle to collapse.

**To Maintain:** Lubricate drive chain with medium-weight oil.

Store crank handle when not in use to increase side clearance on truck. Slide lock tube toward crank to release handle and rotate handle one quarter turn.

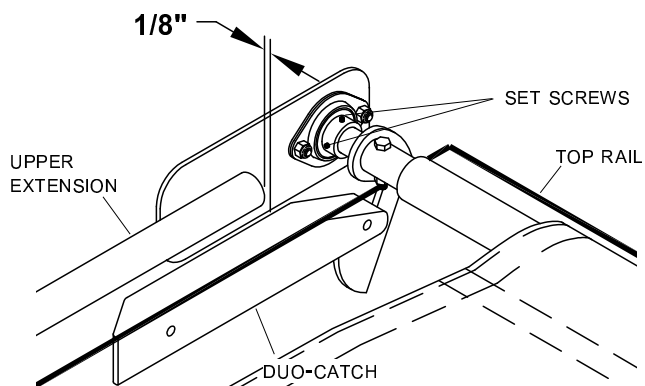


**FINAL ADJUSTMENTS**

- 1: Systems with solid vinyl tarps require a drain hole in order to prevent rain water from pooling. Press a heated rod (1/4" to 1/2" dia.) into center of closed tarp to create a drain hole with sealed edges.
- 2: Finished length of tarp may be longer than box length at time of order. Excess material will wrap around roll tube.
- 3: Allow about 1/8" clearance between upper extension tubes and Duo-Catches. Loosen set screws and adjust upper extensions to obtain 1/8" clearance on each side of box. Tighten set screws.

**NOTE:** Clearance is needed for system to open and close freely.

- 4: Keep tension applied to tarp while driving in order to reduce wind whip and extend tarp life.
- 5: Store tarp retracted inside housing when not in use to keep rain or snow from collecting on cover.



**WARNING**  
Tighten all bolts securely before driving vehicle or operating Arm System.

# MORE QUALITY PRODUCTS FROM SHUR-CO®

---

- **Genuine Replacement Tarps**
- **Genuine Replacement Parts**
  
- **Agriculture Products**
  - Value Series Shur-Lok®
  - Super Duty Shur-Lok®
  - Shur-Lok® Junior
  - Premium Belt 'n Ratchet
  - Cable-Lok™
  - Turning Point™ Bow
  
- **SMARTrailer™ Accessories for Agriculture Products**
  - SMART2™ Remote
  - SMART1 +™ Remote
  - 4500 Series HD Electric
  - AutoTrap™ Hopper Opener
  - ProTrap® Hopper Opener
  - LiteALL™ Work Lights
  - Cable-Lok™ Electric Upgrade
  - Electric Turning Point™ Bow
  - Value Series Electric
  - Solar Power Pack
  
- **Flatbed Products**
  - ShurTite™ Retractable Tarps
  - Stock Lumber & Steel Tarps
  - Steel Tarps
  
- **Custom Products**
  - Fitted Truck Covers
  - Flat Utility Tarps
  - Bean Drill Covers
  - Shur-Lok® Tarp Cords
  
- **Construction Products**
  - Super Duty Shur-Lok®
  - Shur-Trak II™
  - Cover-Pro II®
  - Turning Point™ Bow
  - IronSide™ Side-Dump System
  - Arm-Matic™
  - DuraPull™
  - Econo-Pull™
  - Turbo Tarp2 DONOVAN BRAND
  - 2000 Series DONOVAN BRAND
  - 5000 Series DONOVAN BRAND
  - Hammer DONOVAN BRAND
  - Bullet DONOVAN BRAND
  - Flash DONOVAN BRAND
  - Long Arm DONOVAN BRAND
  
- **SMARTrailer™ Accessories for Construction Products**
  - 4500 Series HD Electric w/Gate Flex™
  - Shur-Trak II™ Electric Upgrade
  - Cover-Pro II® Electric Upgrade
  - Electric Turning Point™ Bow
  - Solar Power Pack
  
- **Waste Products DONOVAN BRAND**
  - The Ox™
  - Quick-Flip III
  - Sidewinder
  - Sidewinder 350
  - HyTower SL
  - HyTower DL
  - Double-Flip

TARPING SYSTEMS & ACCESSORIES

