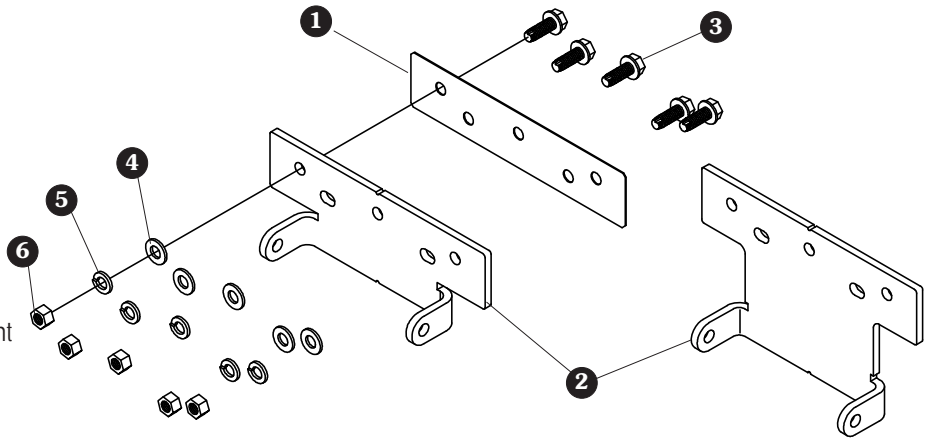


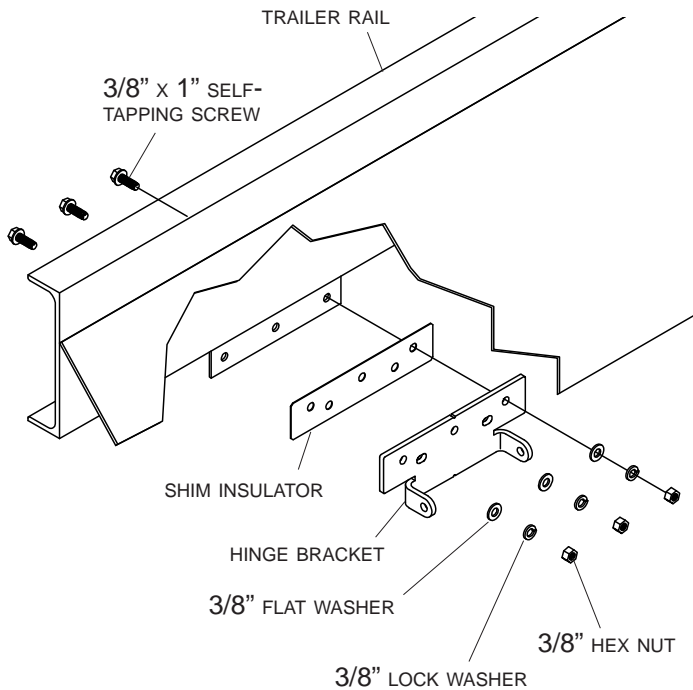
Item	Part #	Description
1.	1118568	Shim Insulator - Rail Mount
2.	1118526	Hinge Bracket - Rail Mount
	1121929	Hinge Bracket - Extended Rail Mount
3.	1700400	Self-Tapping Screw - 3/8" x 1"
4.	1700429	Flat Washer - 3/8"
5.	1700434	Lock Washer - 3/8"
6.	1700407	Hex Nut - 3/8"



**NOTE:** Refer to ProTrap® owner's manual for complete ProTrap® instructions.

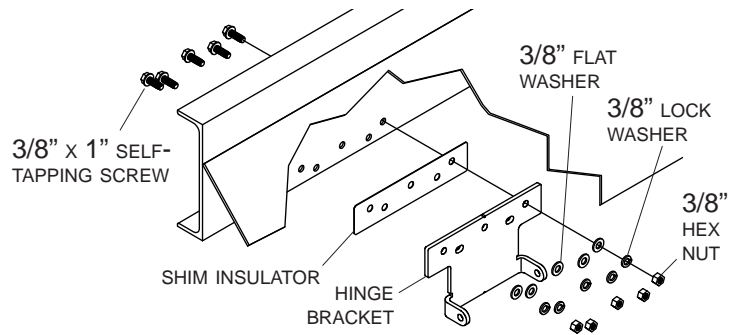
## MERRITT TRAILER

**STEP 1:** Align holes in hinge bracket with three existing holes in trailer rail as shown. Fasten shim insulator and bracket to rail with 3/8" x 1" self-tapping screws, flat washers, lock washers and nuts.



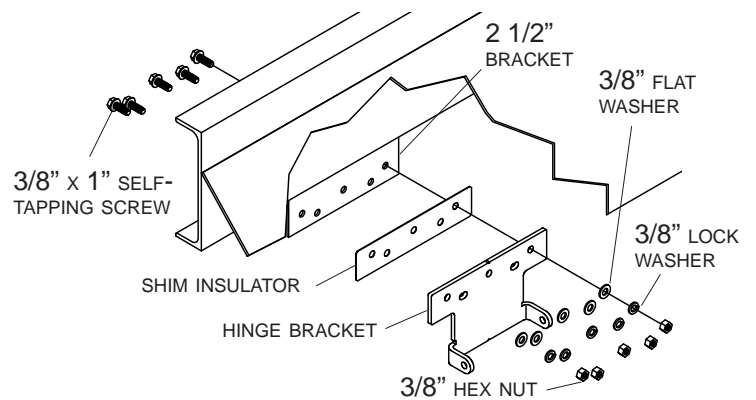
## JET ALUMINUM TRAILER

**STEP 1:** Align hinge bracket with two existing holes in trailer rail. Using hinge bracket as a guide, mark and drill three more 5/16" holes in rail. Fasten shim insulator and bracket to rail with 3/8" x 1" self-tapping screws, flat washers, lock washers and nuts.



## JET STEEL TRAILER

**STEP 1:** Cut existing bracket on trailer leaving 2 1/2" remaining. Align hinge bracket with 2 1/2" bracket. Using hinge bracket as a guide, mark and drill five 5/16" holes. Fasten shim insulator and bracket to trailer with 3/8" x 1" self-tapping screws, flat washers, lock washers and nuts.



Item	Part #	Description
1.	1120707	Intermediate Bracket Assembly - Rail Mount
2.	1120852	ProTrap® Assembly - 250
	1120853	ProTrap® Assembly - 150
3.	1702904	Cap Screw - 3/8" x 1 1/8"
4.	1701580	Nylon Lock Nut - 3/8"

