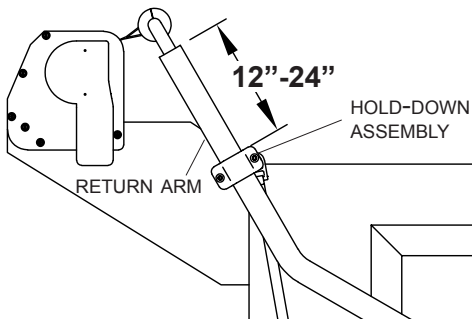


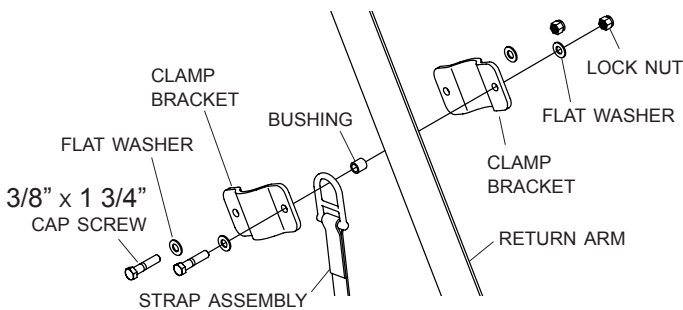
**Return Arm Hold-Down**

Item	Part #	Description
	1120389	Arm Hold-Down Kit
1.	1120388	Arm Anchor Clamp Bracket
2.	1120390	Hold-Down Strap Assembly
3.	1704643	Bushing - 9/16" x 9/16"
4.	1700836	Ratchet Buckle - 1"
5.	1700403	Self-Tapping Screw - 1/4" x 3/4"
6.	1700369	Cap Screw - 3/8" x 1 3/4"
7.	1701580	Nylon Lock Nut - 3/8"
8.	1701176	Flat Washer - 3/8"

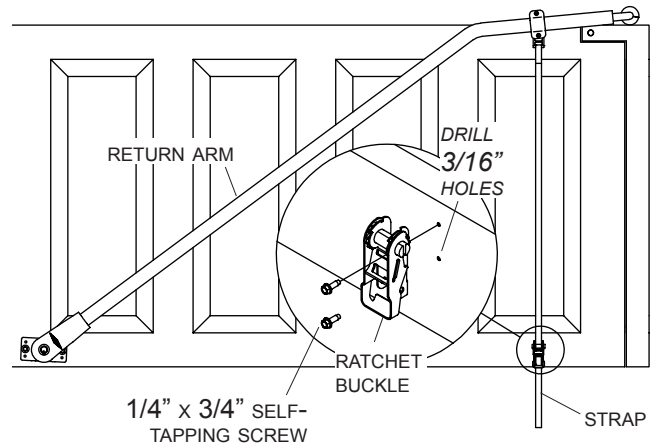
**STEP 1:** Locate return arm hold-down assemblies 12" to 24" from outer ends of return arms, one on each side of trailer.



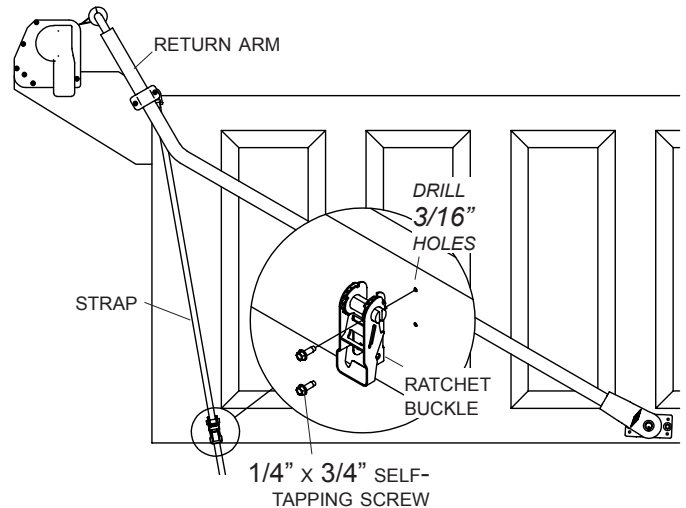
**STEP 2:** Align clamp brackets around return arm placing bushing and strap assembly as shown. Fasten with 3/8" x 1 3/4" cap screws, flat washers and lock nuts.



**STEP 3:** With return arms in closed position let hold-down strap hang and align ratchet buckle with strap. Using holes in buckle as a guide, mark and drill 3/16" holes. Fasten buckle to trailer with 1/4" x 3/4" self-tapping screws.



**STEP 4:** With return arms in open position let hold-down strap hang. Locate ratchet buckle on lower edge of trailer, aligning buckle and strap. Using lower hole in buckle as a guide, mark and drill 3/16" hole. Fasten buckle to trailer with 1/4" x 3/4" self-tapping screw. Rotate buckle so strap and buckle are parallel. Using top hole on buckle as a guide, drill 3/16" hole and fasten with 1/4" x 3/4" self-tapping screw.



**STEP 5:** Run strap through buckle and tighten. Remove excess length from strap and melt end to prevent fraying.

**STEP 6:** Repeat steps 1 through 5 for return arm on other side of trailer.