



TARPING SYSTEMS & ACCESSORIES

P/N 1120474 Rev. C

OWNER'S MANUAL

LITEALL™

WIRELESS LED WORK LIGHT PACKAGE



READ BEFORE INSTALLING

PO BOX 713 ■ 2309 SHUR-LOK STREET ■ YANKTON, SD 57078-0713
PHONE 1-800-4-SHUR-LOK (1-800-474-8756) ■ FAX 605-665-0501
www.shurco.com

SHOP ONLINE: www.shopshurco.com

SHIPPING. Orders are shipped F.O.B. from the Shur-Co®, LLC sites listed below. No full freight is allowed or prepaid shipment accepted unless quoted and approved in writing prior to acceptance of the order. All shipments are made by the most reasonable means in accordance with size and weight of order, unless specified routing instructions are furnished by the customer. Shipments are made daily via U.P.S. and common carrier. Claims for shortages must be made within 10 days. All claims for damages or loss in transit must be made with the carrier. No collect calls will be accepted. To ensure delivery of orders, we need your full street address and phone number. When you receive your shipment, examine it carefully. Be sure all cartons listed on the delivery sheet are accounted for. Large items may be packaged separately. If a carton is damaged, open it and inspect the contents before signing for delivery. If merchandise is damaged, describe damage on the delivery receipt. Failure on your part to document damaged or missing merchandise on the delivery receipt releases the carrier of all liability; repair or replacement will be the customer's responsibility.

WARRANTY. We warrant all new products are free of defects in materials and workmanship.* This warranty is effective if products are properly installed and used for the purpose for which they were intended and applies to the original buyer only. Except as set forth above or in any product-specific warranty documentation, we make no other warranties, express or implied, including but not limited to warranties of merchantability of fitness for a particular use.

Returns of a product for warranty must be accompanied by a Return Merchandise Authorization number (RMA#), obtained by calling Customer Service at 866-748-7435, and sent, with freight paid by us, to Shur-Co®, LLC, 2309 Shur-Lok St., PO Box 713, Yankton, SD 57078. All products returned without an RMA# will be refused. When we issue the RMA#, we will also issue a call tag to have UPS (or other freight company) pick up the product. C.O.D. returns not accepted. We will pay no storage fees for a warranty product return prior to pick by us or the freight company. If a warranty product return is scheduled to be picked up by us, we will pick up the product at our earliest convenience.

If a product returned is found, in our judgement, to be defective in material or workmanship, our obligation under this warranty is limited to the repair or replacement of the product, which will be made by us. Repair or replacement will be at our discretion, with replacements being made using current products performing in the equivalent function. Labor charges, other than those incurred at our factory, including, but not limited to, any labor to install a repaired or replacement product, are not covered under this warranty. All expenses associated with delivering defective products to our factory and delivering repaired or replacement products from our factory to the owner will be paid by us.

If the product returned is found, in our judgement, to be non-warrantable, the owner will be contacted to authorize repair work, purchase of a replacement product or return of the product, all of which will be at the owner's expense. Payment authorization must be received by us before any non-warrantable product is repaired, replaced or returned. All expenses associated with delivering the repaired non-warrantable product, a replacement product or the non-warrantable product from our factory to the owner will be paid by the owner.

In no event will we be liable for any damages of any kind to person, product or property, including but not limited to indirect, incidental, special, consequential or punitive damages, or damages for loss of profits or revenue, even if we have been advised of the possibility of such damages. There are no warranties for used products or products that have been repaired, altered, modified or subjected to misuse, negligence or accident. We will not repair or replace products that fail or malfunction due to ordinary wear and tear, except as expressly noted in a product-specific warranty. Use of non-Shur-Co®, LLC parts in conjunction with Shur-Co®, LLC products will void this product warranty.

*Certain products have specific warranties that differ from this warranty, for example motors and electronics. Product-specific warranty documentation is available for these items. In the event of a conflict between this warranty and a product-specific warranty, the product-specific warranty will govern.

RETURN POLICY. All sales final. See WARRANTY above for return details.

OTHER. All prices, product listings, sizes, weights and manufacturing details are subject to change without notice. No person is authorized to modify the foregoing conditions of sale whatsoever.

SHUR-CO®, LLC SERVICE AND DISTRIBUTION CENTERS

Corporate HQ and Outlet Store

SHUR-CO® of SOUTH DAKOTA
2309 Shur-Lok St., PO Box 713
Yankton, SD 57078-0713
Ph 800.474.8756 | Fax 605.665.0501

ShurTite™ Service Centers

SHUR-CO® of CANADA
490 Elgin St., Unit #1
Brantford, Ontario N3S 7P8
Ph 800.265.0823 | Fax 519.751.3997

SHUR-CO® of SIOUX FALLS
47184 258th St., Suite B
Sioux Falls, SD 57107
Ph 844.573.9322 | Fax 605.543.5469

SHUR-CO® of COLORADO
10220 Brighton Rd., Unit #1
Henderson, CO 80640
Ph 866.355.9173 | Fax 303.289.2298

SHUR-CO® of FLORIDA
3353 SE Gran Park Way
Stuart, FL 34997
Ph 800.327.8287 | Fax 772.287.0431

SHUR-CO® of ILLINOIS
3993 E. Mueller Ave.
Decatur, IL 62526
Ph 866.356.0246 | Fax 217.877.8270

SHUR-CO® of IOWA
3839 Midway Blvd.
Ft. Dodge, IA 50501
Ph 866.356.0245 | Fax 515.576.5578

SHUR-CO® of MICHIGAN
5100 Lakeshore Dr.
Lexington, MI 48450
Ph 800.327.8287 | Fax 772.287.0431

SHUR-CO® of NORTH DAKOTA
1746 4th Ave. NW, Unit A
West Fargo, ND 58078
Ph 877.868.4488 | Fax 701.277.1283

SHUR-CO® of OHIO
1100 N. Freedom, St. Rt. 88 & 14
Ravenna, OH 44266
Ph 866.356.0242 | Fax 330.297.5599

SHUR-CO® of OKLAHOMA
1604 East US Hwy 66
El Reno, OK 73036
Ph 866.356.0243 | Fax 405.262.3842

SHUR-CO® of TEXAS
34505 I-10 West, S. Frontage Rd.
Brookshire, TX 77423
Ph 866.689.0039 | Fax 281.934.3311


SHUR-CO® UK, Ltd.
Unit 41 Rochester Airport Estates
Laker Rd., Rochester, Kent ME1 3QX
Ph +44 (0)1795.473499
Fax +44 (0)871.272.8278

For more information, log on to our website:

www.shurco.com

MESSAGE TO OWNERS

Thank you for buying this product from Shur-Co®. We appreciate your confidence in our products. Please read and thoroughly understand this manual before installing and/or operating this system.

Pay particular attention to important safety and operating instructions, as well as warnings and cautions. The hazard symbol  is used to alert users to potentially hazardous conditions and is followed by caution, warning or danger messages.

Failure to READ AND FOLLOW INSTRUCTIONS could result in failure of your system and/or personal injury. Your trailer requirements may, however, call for minor variations to these instructions.

Please inspect your system periodically, repair or replace worn or damaged parts.

QUESTIONS? CALL OUR HELP LINE:

1-866-748-7435

MON-FRI 8 AM-5 PM CENTRAL TIME

SAFETY

We at Shur-Co® are concerned with your safety and the safety of all those operating this system. Therefore, we have provided safety decals at various locations on your system. Keep decals as clean as possible at all times. Replace any decal that has become worn or damaged, painted over or otherwise difficult to read. Replacement decals are available through Shur-Co® dealers.

SAFETY INSTRUCTIONS

- 1. Always wear safety glasses during installation.**
- 2. Keep body and clothing clear of moving parts.**
- 3. No other use of this system is authorized, except as designed.**

TABLE OF CONTENTS

LiteALL™ Benefits & Advantages..... 1

Program SMARTtransmitter® to LiteALL™ 2

Enabling & Disabling SMARTtransmitter® Channels 2

Hardware Identification..... 3

Tools Required for Installation 3

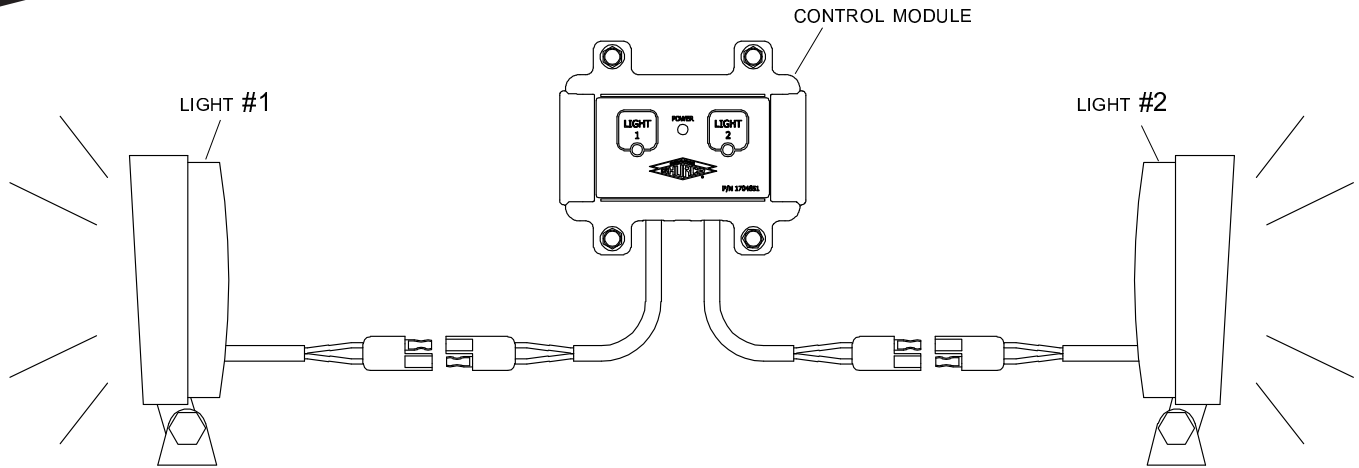
Wiring Diagrams 4

LiteALL™ Control Module Installation 5 - 6

LiteALL™ Work Light Installation 7 - 8

Replacement Parts 8

Terms & Conditions 9



LiteALL™ LED work light package is specifically designed for use with Shur-Co exclusive SMART1+™ wireless remote. Built-in flexibility of SMART1+™ accommodates manual operation using Shur-Co control module. Adjustable mounting brackets and an additional 20' extension cable make it easy to direct high-intensity LED flood beams exactly where needed. LiteALL™ is a valuable addition to a SMARTrailer™.

- LiteALL™ control module has two output channels which can be controlled independently or together using Shur-Co SMART2™ or SMART1+™ remote.
- Work lights can also be independently controlled manually using keypad interface on control module.
- Up to five SMARTremotes can be programmed to control each output channel on control module.
- Control module is quick and easy to reprogram to new or different SMARTremotes.

LiteALL™ Operation:

- When control module is connected to power, green POWER LED is illuminated, indicating module is active.
- To remotely control control module with SMART remotes, toggle to channel programmed to output channel to control (typically LIGHTS or AUX). Press OPEN/ON button to turn on light(s) connected to output channel. Press CLOSE/OFF to turn lights off. See programming instructions on next page for programming SMARTremote to LiteALL™ control module.
- To manually control module, simply press LIGHT 1 button to toggle light(s) connected to LIGHT 1 output channel, or press LIGHT 2 to toggle light(s) connected to LIGHT 2 output channel.

Specifications

- System voltage: 10 to 16 volts DC
- System current: 4 amps max. w/two LED work lights
1.8 additional amps max. for each additional work light
- Reverse polarity protection: Yes
- Work light output: 1600 lumens
- Work light power: 24 watts
- Work light IP rating: IP67
- Work light life: 30,000 hours estimated

Program SMART1+™ Remote to LiteALL™

1. Be sure LiteALL™ control module is connected to power by checking green *POWER* LED on control module is on. If battery disconnect switch is installed, make sure it is turned on.
2. To program *LIGHT 1* output channel, hold *LIGHT 1* button for five seconds until *POWER* LED turns off. *LIGHT 1* LED should still be on.
3. Set SMART1+™ remote to *LIGHTS* channel LED by pressing *SELECT* button. A different channel on SMART1+™ remote may be used, if desired. If your SMART1+™ remote will not toggle to desired channel due to being disabled previously, see Enabling & Disabling SMART1+™ remote Channels instructions.
- 3a. **One SMART1+™ Remote:** Press *OPEN/ON* button five times. After each button press, *LIGHT 1* channel LED will flash briefly.
- 3b. **Multiple SMART1+™ Remotes:** Press *OPEN/ON* button at least one time for each remote. After each transmission, *LIGHT 1* channel LED will flash briefly. LiteALL™ will expect five signals, so if programming less than five remotes, press *Open/On* button additional times on last remote to take up all five memory slots in LiteALL™ control module.
4. After fifth transmission, *LIGHT 1* channel LED will flash twice to indicate remote(s) have been successfully introduced to LiteALL™ control module. *POWER* LED will then turn back on.
5. You can now operate lights connected to *LIGHTS 1* output channel with SMART1+™ remote.
6. To program *LIGHT 2* output channel, repeat instructions above using *LIGHT 2* button on LiteALL control module. If you want SMART1+™ remote(s) to control both LiteALL™ output channels together with one button press, make sure to select same SMART1+™ remote channel programmed to *LIGHT 1* in step 3.

Enabling & Disabling SMART1+™ Remote Channels:

The SMART1+™ remote has five channels. Pressing *Select* button toggles through them. Unused channels can be disabled, if desired, using following process. (Process may be skipped.) Unused remote channels will not perform any functions.

Hold *Select* button down 10 seconds and remote will enter *Channel Programming Mode*. Each time *Channel Programming Mode* is entered, status of all five channels must be reset by pressing *Open/On* or *Close/Off*.

NOTE: Process will not interfere with pre-programmed signals pre-set by factory or dealer.

While in *Channel Programming Mode*, programmable channel will be indicated by solid lit LED.

NOTE: Remote will NOT activate any motor or LiteALL™ while remote is in *Channel Programming Mode*.

Press *Open/On* button to enable current channel (designated by indicator light). Press *Close/Off* button to disable current channel. Indicator light will automatically jump to next channel.

After programming all five channels, remote will display programmed channel status for all channels for three seconds. All enabled-channel LEDs will be lit solid and all disabled-channel LEDs will not be lit. Buttons will not function during this three-second period.

Remote will automatically exit *Channel Programming Mode* after three seconds and return to *Operational Mode*.

NOTE: If there is not at least one enabled channel after programming, remote will not save changes and will revert back to previously saved channel settings.

TIP: To cancel changes and exit *Channel Programming Mode*, close remote cover.

TOOLS REQUIRED FOR INSTALLATION

LiteALL™ Control Module

- Drill
- 5/16" Nut Driver or 5/16" Socket w/Drill Adapter
- 1 1/4" Hole Saw (optional for installing grommet & passing three module cables through wall surface up to .150" thick)
- #2 Phillips Bit
- Wire Stripper
- Wire Terminal Crimper

LiteALL™ Work Lights

- Drill
- 13/32" Drill Bit
- 11/16" Hole Saw (optional for installing grommet & passing work light cables through wall surface up to .080" thick)
- 1/2" Combination Wrench
- 9/16" Combination Wrench
- 11/16" Combination Wrench
- #2 Phillips Bit

20' LiteALL™ Work Light Extension Cord

- Drill
- #2 Phillips Bit

Power Cord into Sealed Junction Box

(junction box ordered separately)

- #2 Phillips Screwdriver
- Drill (if additional port is needed for LiteALL™ power cable)
- 21/32" Drill Bit (if additional port is needed for LiteALL™ power cable)
- Ratchet
- 5/16" Socket (if connecting to junction box with #10 studs on circuit breaker)
- 7/16" Socket

Power Cord into Shur-Link™ Pro

- #2 Phillips Screwdriver
- Ballpoint Pen

A



1704405 Pan Hd. Self-Drilling Screw - #8 x 3/4" (qty. 27)

B



1704761 Self-Drilling Screw - #12 x 1 1/4" (qty. 4)

C



1704739 Ring Terminal 14 to 16 Ga. #10

D



1704153 Ring Terminal 14 to 16 Ga. 1/4" Stud (qty. 2)

E



1704698 Nylon Wire Clip - 1/4" Black (qty. 21)

F



1704699 Nylon Wire Clip - 5/16" Natural (qty. 4)

G



1704700 Nylon Wire Clip - 3/8" Black (qty. 2)

H



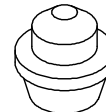
1118037 Plastic Washer - Black (qty. 8)

J



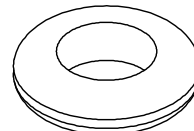
1704397 Rubber Grommet - 7/16" x 15/16" (qty. 2)

K



1704556 Rubber Grommet - 5 to 10mm IP65

L



1703282 Rubber Grommet - 7/8" x 1 5/8"

1118437 5-Channel SMART1+™ Remote

1704740 Extension Cable - 16 Ga. 2 Conductor - 20'

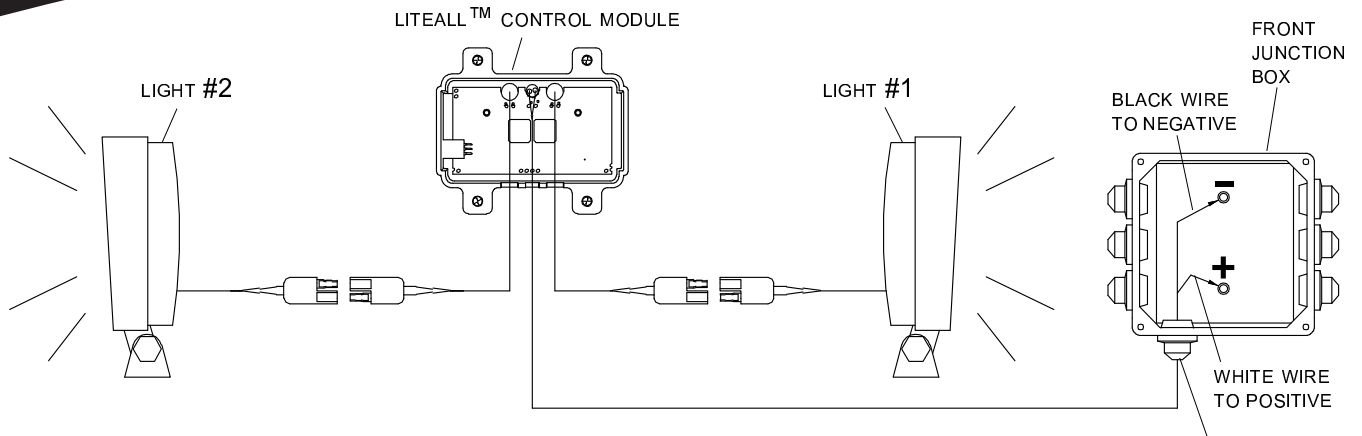
1704719 LED Work Light - 24 Watt (2)

_____ Control Module

1703231 Cable Tie - 8" (10)

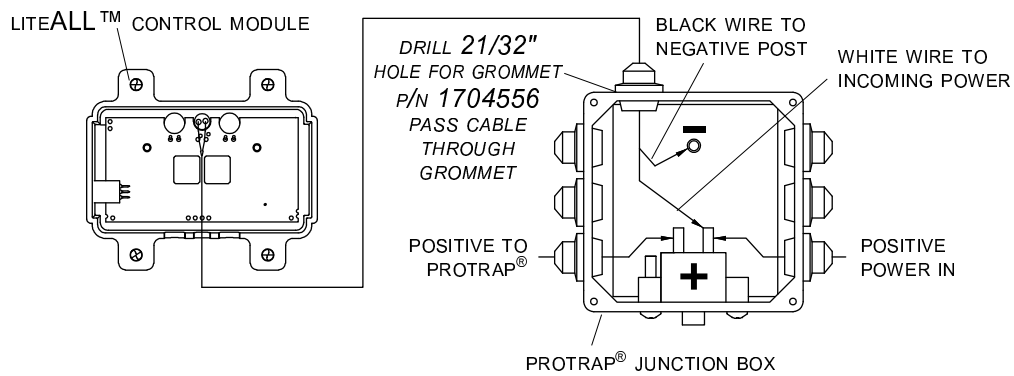
INSPECT ALL PARTS LiteALL™ KIT UPON ARRIVAL

ON TRAILERS WITH SHUR-CO® 3500 SERIES & PROTRAPS

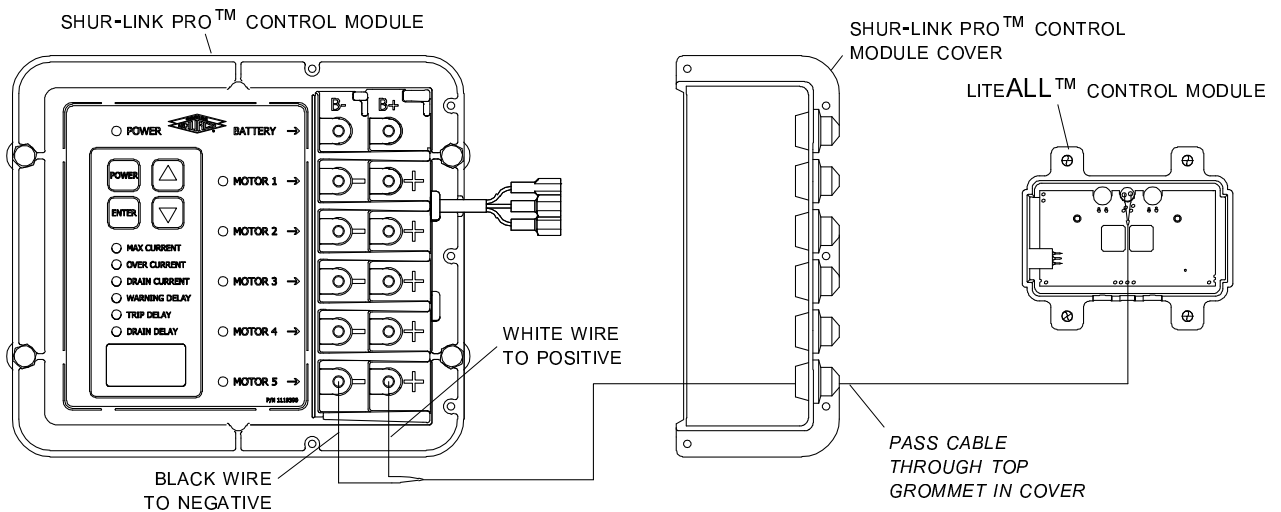


DRILL 21/32" HOLE FOR GROMMET P/N 1704556 IF NEEDED. PASS CABLE THROUGH GROMMET.

ON TRAILERS WITH SHUR-CO® PROTRAP®



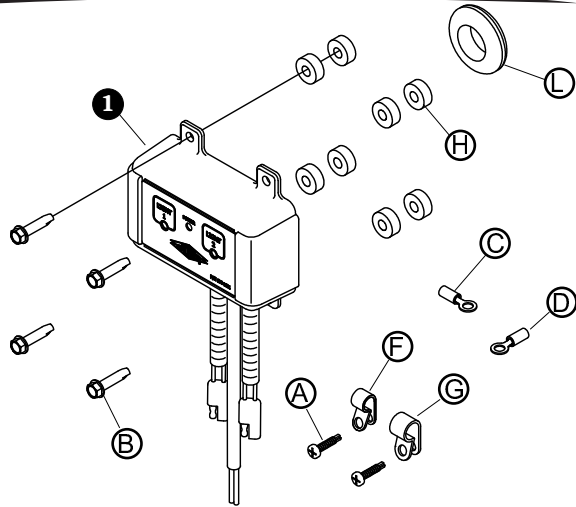
ON TRAILERS WITH SHUR-CO® SHUR-LINK PRO™



ON OTHER INSTALLATIONS WIRING IS DETERMINED BY USER

HOOK TO POWER USING 16 GA. OR LARGER WIRE

Item	Part #	Description
1.	1704651	Control Module
A.	1704405	Pan Hd. Self-Drilling Screw - #8 x 3/4"
B.	1704761	Self-Drilling Screw - #12 x 1 1/4"
C.	1704739	Ring Terminal - 14 to 16 Ga. #10
D.	1704153	Ring Terminal - 14 to 16 Ga. 1/4" Stud
F.	1704699	Nylon Wire Clip - 5/16" Natural
G.	1704700	Nylon Wire Clip - 3/8" Black
H.	1118037	Plastic Washer - Black
L.	1703282	Rubber Grommet - 7/8" x 1 5/8"



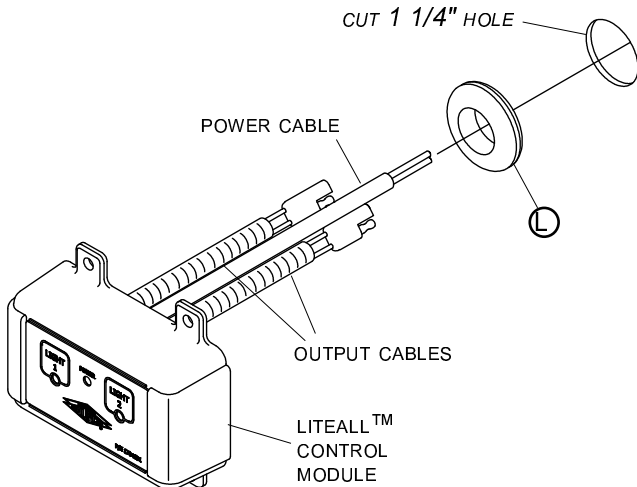
STEP 1: Determine mounting location for LiteALL™ control module. If SMART1+™ remote will be used to operate module, it is recommended to locate module where user will have direct line of sight to module while operating SMARTransmitter®.

If LiteALL™ control module is not being hooked up to either 3500 Series junction box, ProTrap® junction box or Shur-Link Pro™ control module, it is responsibility of owner to select appropriate 12-volt DC power connection that does not compromise any potential system operation.

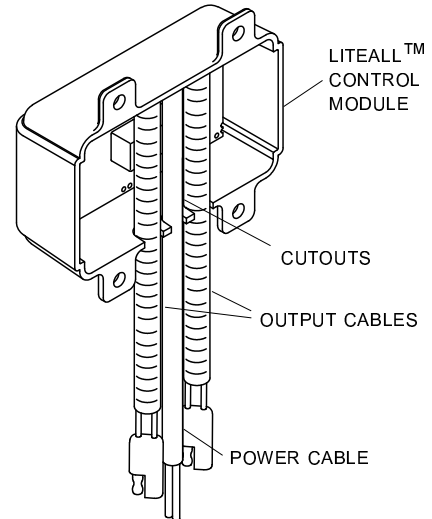
If you have any questions about connecting LiteALL's control module to your equipment, contact equipment manufacturer.

NOTE: Keep in mind that power cable on module is 8' long and must be connected to 12 volts.

STEP 2: If power and/or output cables are to pass through mounting surface (.150" max. wall thickness), use 1 1/4" hole saw to cut hole directly behind module. Pass cables through grommet L, then insert grommet into hole.

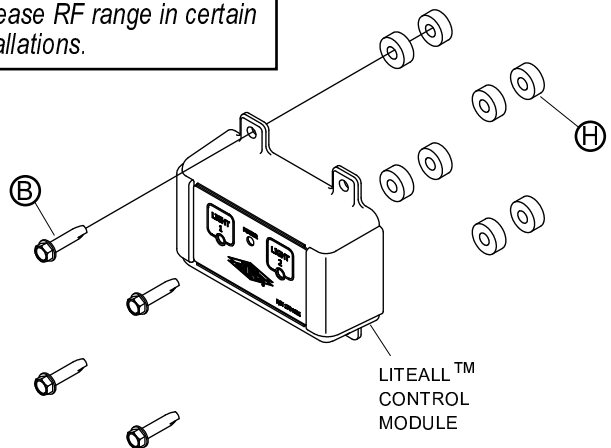


STEP 3: If power and/or output cables are not being routed through mounting surface, route through cutouts in bottom sidewall of LiteALL™ control module.



STEP 4: Fasten LiteALL™ control module to mounting surface with four self-drilling screws B and eight washers H (optional).

NOTE: Use of spacer may increase RF range in certain installations.



STEP 5: Route power cable to power terminals. Verify cable routing before securing cable. White wire will be connected to 12-volt terminal and black wire will be connected to ground terminal. Reference wiring diagram on page 4.

STEP 6: Attach or crimp appropriate terminals onto 8' power cord.

Power Supply

- Shur-Link Pro™
- Sealed junction box w/circuit breaker
- Sealed junction box w/o circuit breaker
- User specified

Terminals

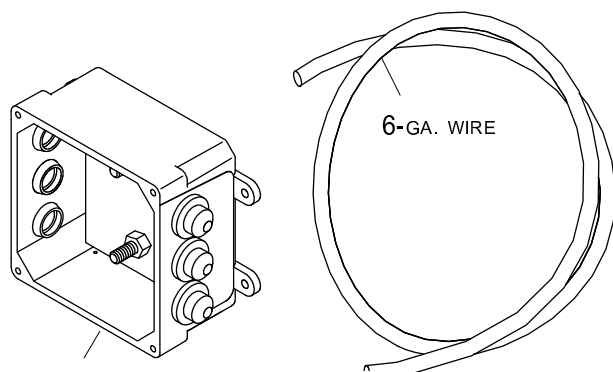
- Two 1/4" ring terminals
- One #10 ring terminal on white wire
- One 1/4" ring terminal on black wire
- Two 1/4" ring terminals
- User specified

NOTE: Cut wires to length and strip only enough wire insulation to install ring terminals. Insert bare wire into ring terminals and crimp securely.



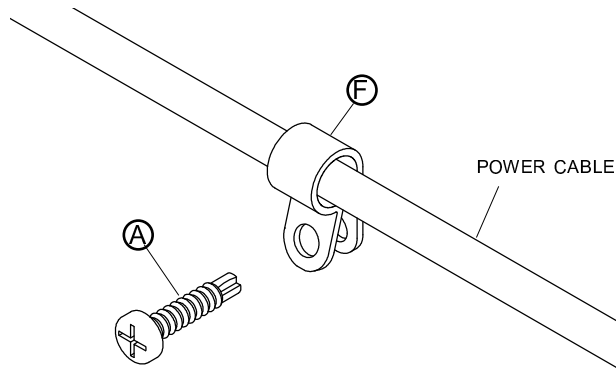
STEP 7: If possible, disconnect 12-volt power source from terminal posts or plugs where control module power cord will be connected. Fasten power cable ends to terminal posts. Connect white wire to 12-volt terminal and connect black wire to ground terminal. See electrical wiring diagrams on page 4.

NOTE: Do not leave power connections exposed to elements. If needed, optional sealed junction box is available.

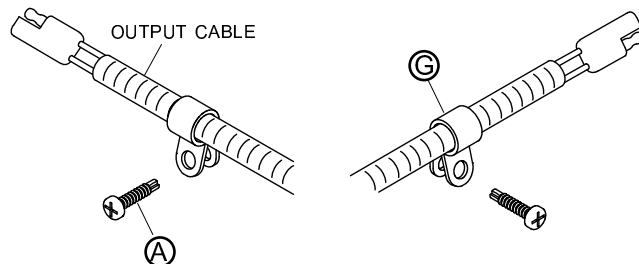


P/N 1119365 - 6-HOLE JUNCTION BOX

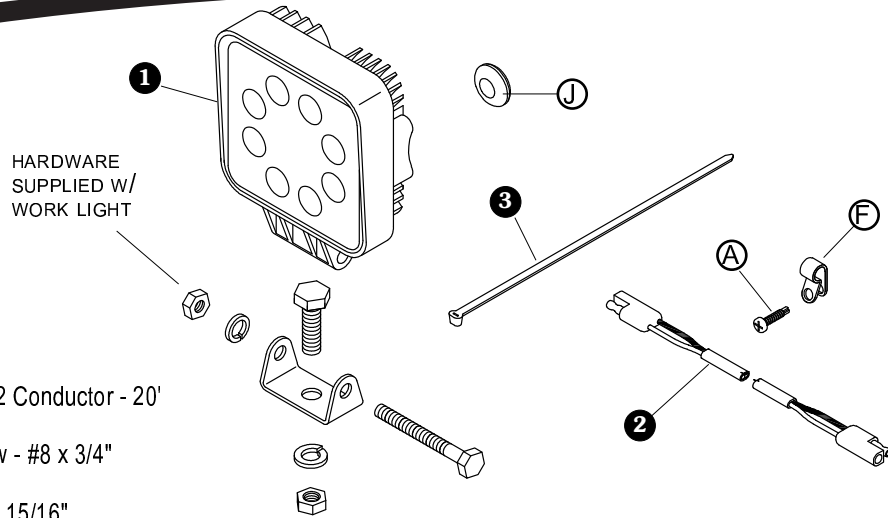
STEP 8: Use wire clips (F) and/or cable ties to secure power cable. Use drill and #2 Phillips bit to self drill screws (A) and secure wire clips.



STEP 9: Use wire clips (G) and/or cable ties to secure output cables. Use drill and #2 Phillips bit to self drill screws (A) and secure wire clips.

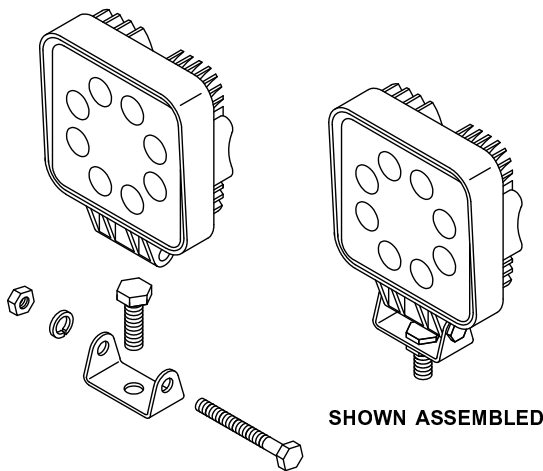


⚠ NOTICE
 Do not power any Shur-Co® wireless system with battery charger alone, as this will likely cause system abnormalities and/or system malfunction. Instead, use 12-volt truck/automobile battery to provide power to trailer.

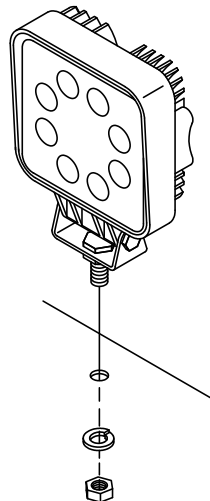


Item	Part #	Description
1.	1704719	LED Work Light - 24 Watt
2.	1704740	Extension Cable - 16 Ga. 2 Conductor - 20'
3.	1703231	Cable Tie - 8"
A.	1704405	Pan Hd. Self-Drilling Screw - #8 x 3/4"
F.	1704699	Nylon Wire Clip - 5/16"
J.	1704397	Rubber Grommet - 7/16" x 15/16"

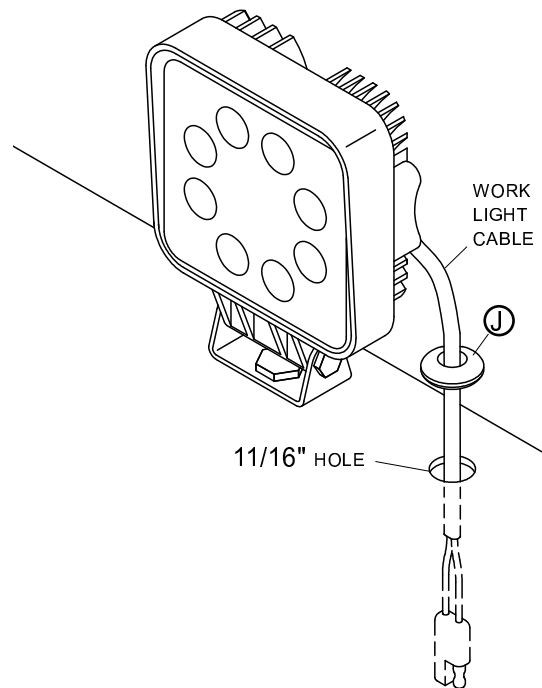
STEP 1: Use 1/2" and 9/16" combination wrenches to assemble LED work light mounting brackets. Use hardware found in LED work light boxes as shown.



STEP 2: Drill 13/32" hole in desired location for work light mounting stud. Insert stud through hole and use 11/16" combination wrench to fasten lock washer and mounting nut.

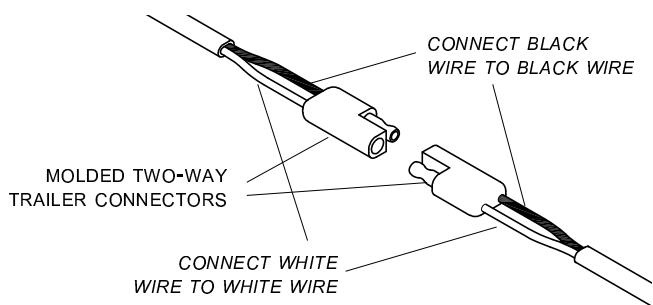


STEP 3: If work light cable is to be passed through mounting surface, use 11/16" hole saw to cut hole for grommet ①. Thread work light cable through grommet, then insert grommet into hole.

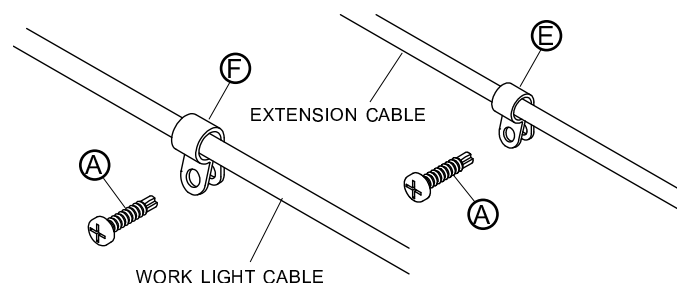


STEP 4: Route work light cable to LiteALL™ control module. Verify cable routing before securing cable. If 20' extension cable is needed, route extension cable between LiteAll™ control module and work light cables. Verify molded two-way trailer connector will fit complementing connector; black wire to black wire, white wire to white wire. If not, use other end of extension cable. Connect two-way trailer connectors.

NOTE: If needed, 20' extension cables are available (see parts list).



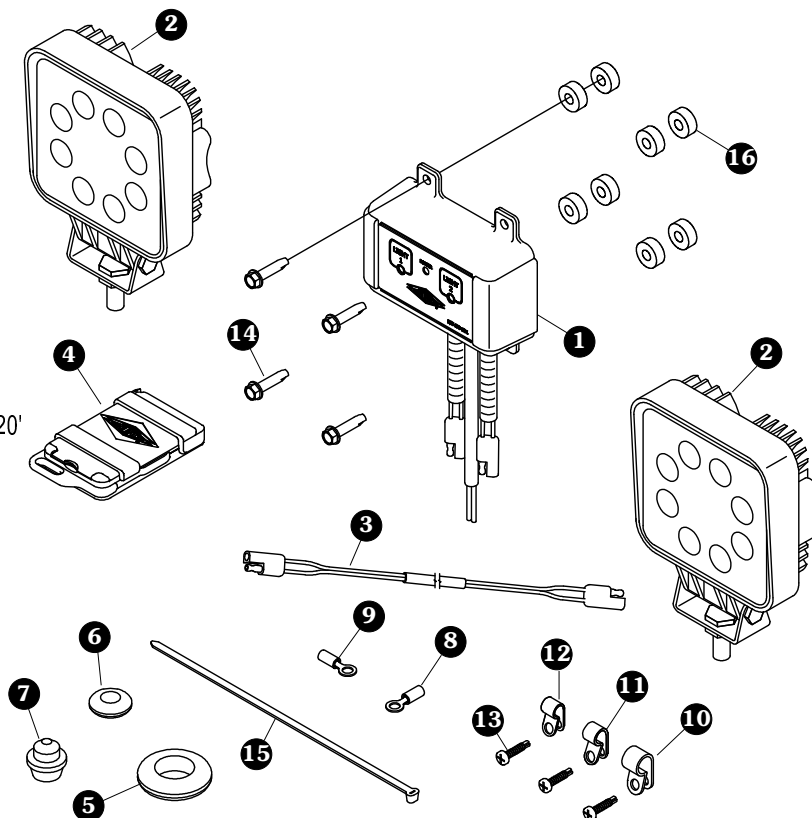
STEP 5: Use wire clips **F** and/or cable ties to secure work light cable. Use wire clips **E** and/or cable ties to secure extension cable (if installed). Use drill and #2 Phillips bit to self-drill screws **A** to secure wire clips.



STEP 6: Coil and secure any excess cable with cable ties.

LiteALL™ REPLACEMENT PARTS

Item	Part #	Description
	1120440	LiteALL™ Retail Kit
	1120504	LiteALL™ Junction Box Kit
1.		Control Module
2.	1704719	LED Work Light - 24 Watt
3.	1704740	Extension Cable - 16 Ga. 2 Conductor - 20'
4.	1123160	5-Channel SMART1+™ Remote
5.	1703282	Rubber Grommet - 7/8" x 1 5/8"
6.	1704397	Rubber Grommet - 7/16" x 15/16"
7.	1704556	Rubber Grommet - 5 to 10mm IP65
8.	1704153	Ring Terminal - 14 to 16 Ga. - 1/4" Stud
9.	1704739	Ring Terminal - 14 to 16 Ga. - #10
10.	1704700	Nylon Wire Clip - 3/8" - Black
11.	1704699	Nylon Wire Clip - 5/16" - Natural
12.	1704698	Nylon Wire Clip - 1/4" - Black
13.	1704405	Pan Hd. Self-Drilling Screw - #8 x 3/4"
14.	1704761	Self-Drilling Screw - #12 x 1 1/4"
15.	1703231	Cable Tie - 8"
16.	1118037	Plastic Washer - Black



MORE QUALITY PRODUCTS FROM SHUR-CO®

- **Genuine Replacement Tarps**
- **Genuine Replacement Parts**

- **Agriculture Products**
 - Value Series Shur-Lok®
 - Super Duty Shur-Lok®
 - Shur-Lok® Junior
 - Premium Belt 'n Ratchet
 - Cable-Lok™
 - Turning Point™ Bow

- **SMARTrailer™ Accessories for Agriculture Products**
 - SMART2™ Remote
 - SMART1 +™ Remote
 - 4500 Series HD Electric
 - AutoTrap™ Hopper Opener
 - ProTrap® Hopper Opener
 - LiteALL™ Work Lights
 - Cable-Lok™ Electric Upgrade
 - Electric Turning Point™ Bow
 - Value Series Electric
 - Solar Power Pack

- **Flatbed Products**
 - ShurTite™ Retractable Tarps
 - Stock Lumber & Steel Tarps
 - Steel Tarps

- **Custom Products**
 - Fitted Truck Covers
 - Flat Utility Tarps
 - Bean Drill Covers
 - Shur-Lok® Tarp Cords

- **Construction Products**
 - Super Duty Shur-Lok®
 - Shur-Trak II™
 - Cover-Pro II®
 - Turning Point™ Bow
 - IronSide™ Side-Dump System
 - Arm-Matic™
 - DuraPull™
 - Econo-Pull™
 - Turbo Tarp2 DONOVAN BRAND
 - 2000 Series DONOVAN BRAND
 - 5000 Series DONOVAN BRAND
 - Hammer DONOVAN BRAND
 - Bullet DONOVAN BRAND
 - Flash DONOVAN BRAND
 - Long Arm DONOVAN BRAND

- **SMARTrailer™ Accessories for Construction Products**
 - 4500 Series HD Electric w/Gate Flex™
 - Shur-Trak II™ Electric Upgrade
 - Cover-Pro II® Electric Upgrade
 - Electric Turning Point™ Bow
 - Solar Power Pack

- **Waste Products DONOVAN BRAND**
 - The Ox™
 - Quick-Flip III
 - Sidewinder
 - Sidewinder 350
 - HyTower SL
 - HyTower DL
 - Double-Flip