



TARPING SYSTEMS & ACCESSORIES

P/N 1120858 Rev. H

INSTALLATION INSTRUCTIONS

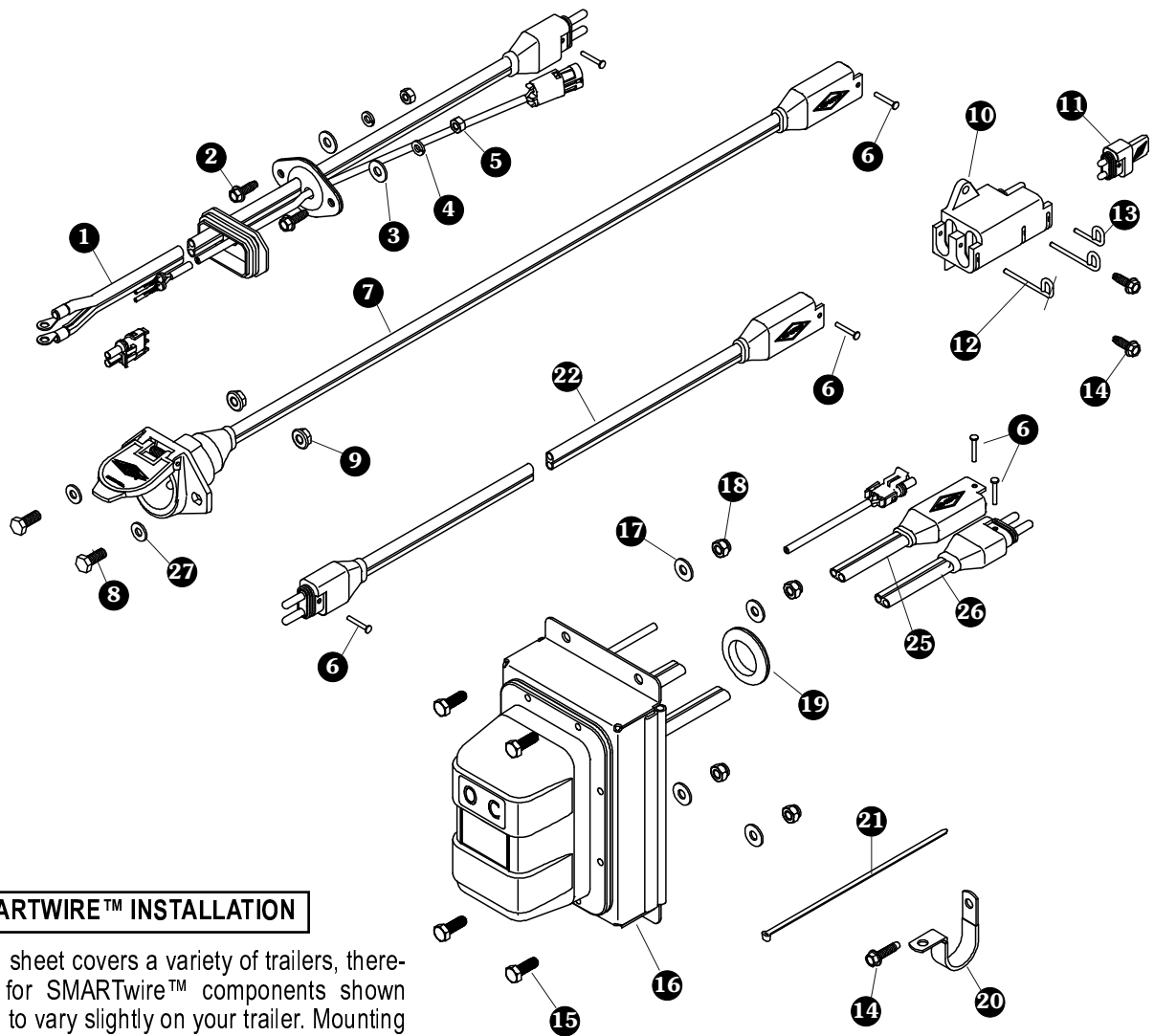


Wiring 4500 Series

READ BEFORE INSTALLING

PO BOX 713 ■ 2309 SHUR-LOK STREET ■ YANKTON, SD 57078-0713
PHONE 1-800-4-SHUR-LOK (1-800-474-8756) ■ FAX 605-665-0501
www.shurco.com

SHOP ONLINE: www.shopshurco.com

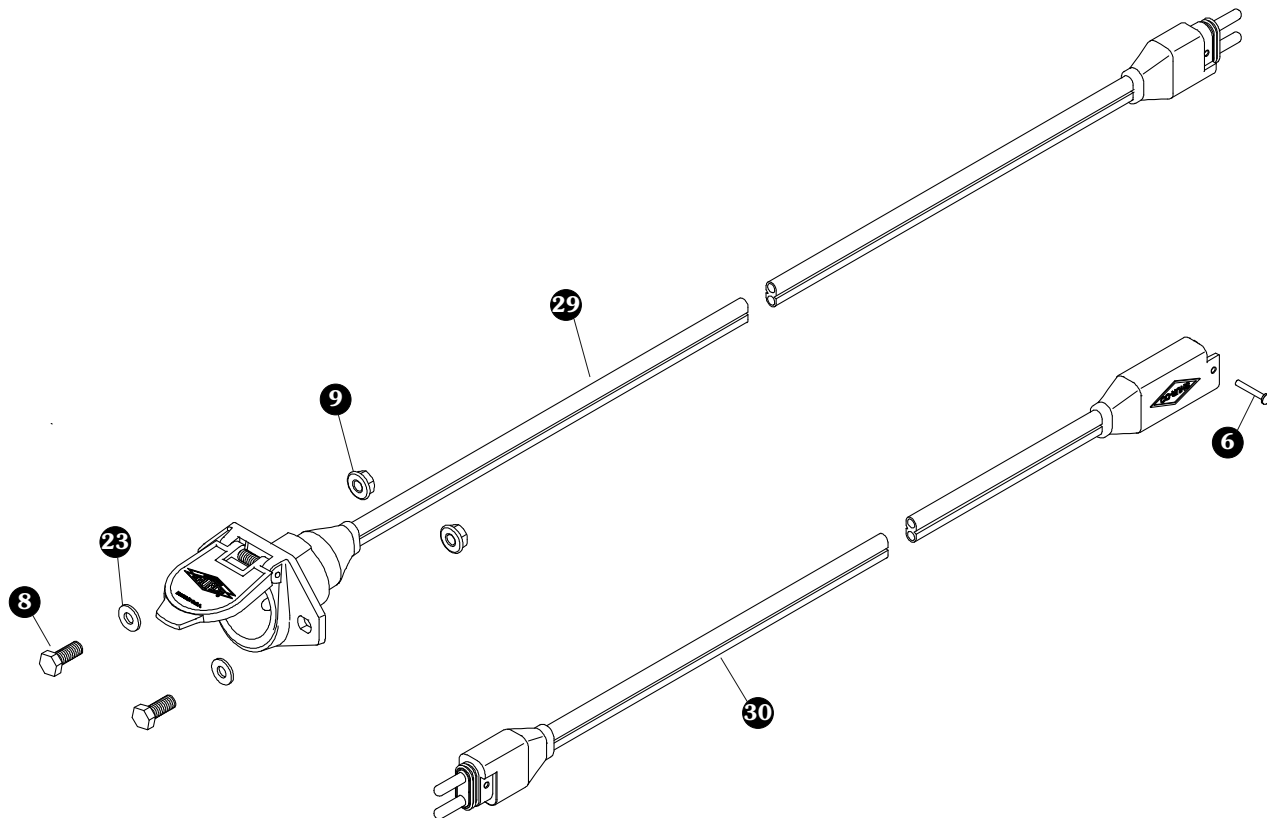


SMARTWIRE™ INSTALLATION

This instruction sheet covers a variety of trailers, therefore locations for SMARTwire™ components shown here may need to vary slightly on your trailer. Mounting locations are critical because wire lengths cannot be altered. Mounting SMARTwire™ components as close as possible to locations shown will not only ensure quick and easy installation but also facilitate SMARTwire™ upgrades.

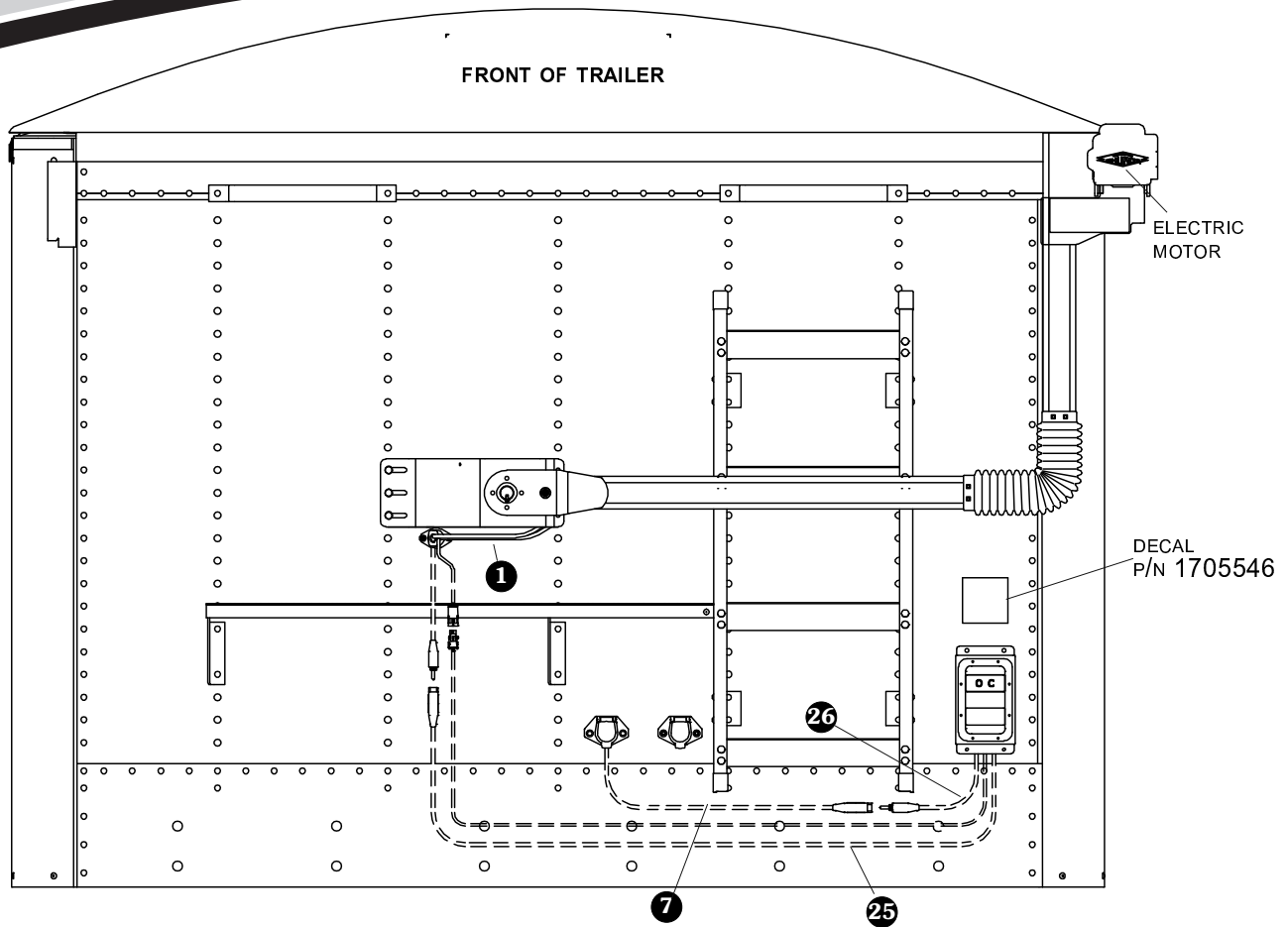
Item	Part #	Description
1.		SMARTwire™ - 6 Ga. - Plug - 9' 9" w/Encoder Wire
2.	1700403	Self-Tapping Screw - 1/4" x 3/4"
3.	1700427	Flat Washer - 1/4"
4.	1700436	Lock Washer - 1/4"
5.	1700408	Hex Nut - 1/4"
6.	1704751	Harness Lock Pin - 1/4" x 7/8"
7.	1120670	SMARTwire™ Dual-Conductor Socket
8.	1701045	Cap Screw - 5/16" x 3/4"
9.	1704946	Flanged Top Lock Nut - 5/16"
10.	1704695	Harness Junction Block
11.	1704717	Wire Harness Rubber Plug
12.	1704696	Harness Lock Pin - Long

Item	Part #	Description
13.	1704711	Harness Lock Pin - Short
14.	1704338	Self-Tapping Screw - 1/4" x 1"
15.	1702926	Cap Screw - 5/16" x 7/8"
16.		Shur-Co® Wireless Receiver - SMARTWire™
17.	1700428	Flat Washer - 5/16"
18.	1700419	Lock Nut - 5/16"
19.	1202938	Rubber Grommet - 1 1/2" Insert
20.	1702108	Wire Clip - 3/4"
21.	1703231	Cable Tie - 8"
22.	1704704	SMARTwire™ - 6 Ga. x 25' - Plug/Socket
25.	1120817	SMARTwire™ - 6 Ga. x 6' 3" - Socket
26.	1704705	SMARTwire™ - 6 Ga. x 2' 4" - Plug
27.	1700427	Flat Washer - 1/4"



**LEAD TRAILER WIRING PARTS FOR SUPPLYING
POWER TO REAR/PUP TRAILERS**

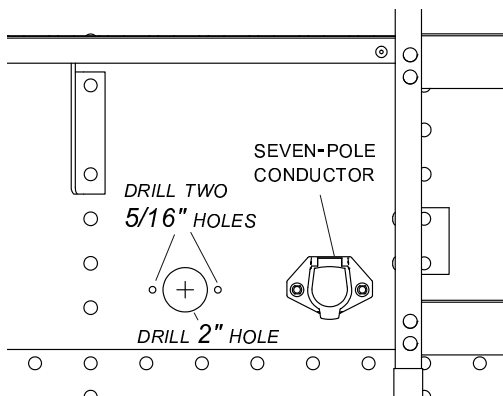
Item	Part #	Description
6.	1704751	Harness Lock Pin - 1/4" x 7/8"
8.	1701045	Cap Screw - 5/16" x 3/4"
9.	1704946	Flanged Top Lock Nut - 5/16"
23.	1700427	Flat Washer - 1/4"
29.	1122541	SMARTwire™ - 4 Ga. x 22' - Dual-Conductor Socket
	1122542	SMARTwire™ - 4 Ga. x 32' - Dual-Conductor Socket
	1122543	SMARTwire™ - 4 Ga. x 40' - Dual-Conductor Socket
30.	1704888	SMARTwire™ - 4 Ga. x 25' - Plug/Socket



NOTE: Wire lengths are predetermined. Before installing SMARTwire™ components, review and confirm wire routing so wires reach components with ample room for connection.

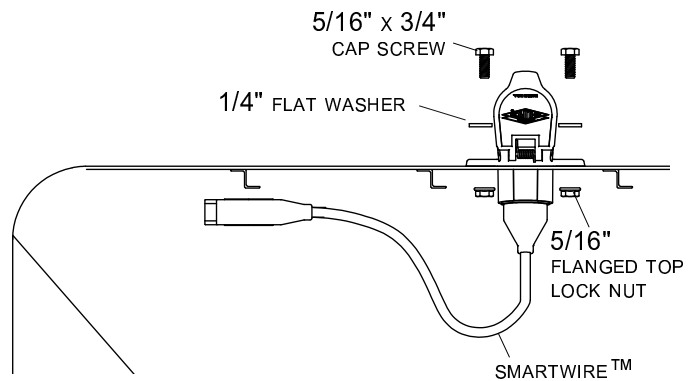
DUAL-POLE CONDUCTOR SOCKET INSTALLATION

STEP 1: Locate dual-pole conductor socket near seven-pole conductor socket as shown. Determine location and drill 2" hole through trailer skin.



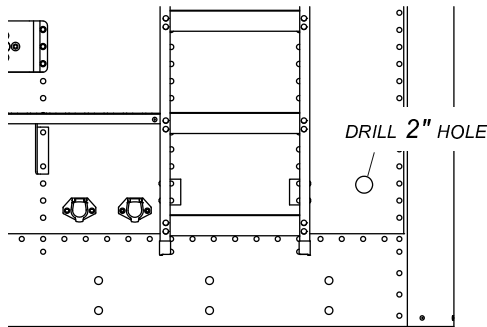
STEP 2: Align socket over 2" hole. Using holes in flanges on socket as guide, mark and drill two 5/16" holes.

STEP 3: Fasten conductor socket to trailer with 5/16" x 3/4" cap screws, flat washers and nuts.

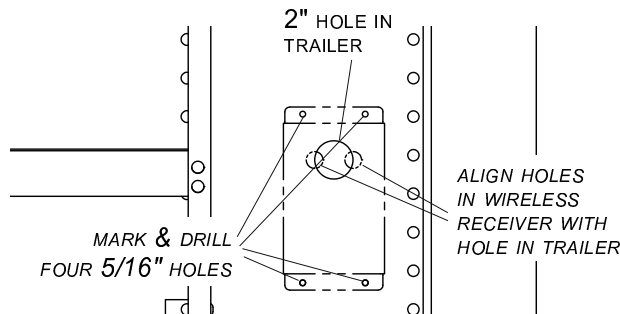


SHUR-CO® WIRELESS RECEIVER INSTALLATION

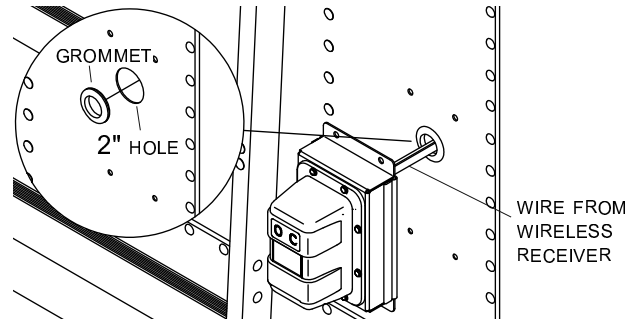
STEP 1: In order to clear travel area of front arm, locate Shur-Co® wireless receiver as low as possible on front of trailer. Determine location and drill 2" hole through trailer skin.



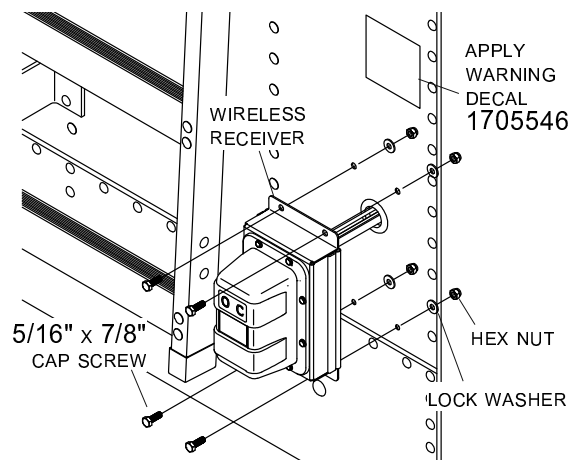
STEP 2: Align holes in wireless receiver over 2" hole in trailer as shown below. Using holes on flanges on receiver as guide, mark and drill four 5/16" holes as shown.



STEP 3: Install grommet into 2" hole. Insert wire from wireless receiver through grommet.

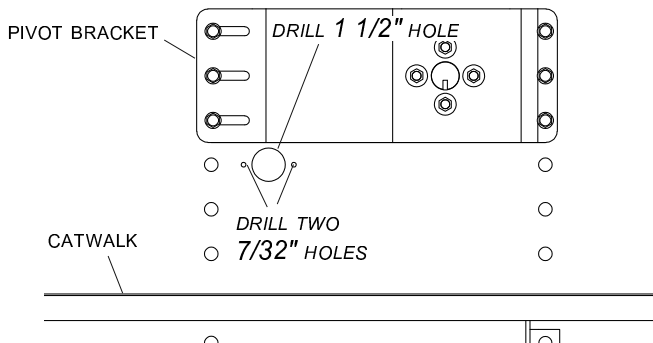


STEP 4: Align holes on wireless receiver with holes on trailer. Fasten receiver to trailer with 5/16" x 7/8" cap screws, lock washers and nuts. Adhere warning decal P/N 1705546 above receiver in location shown.



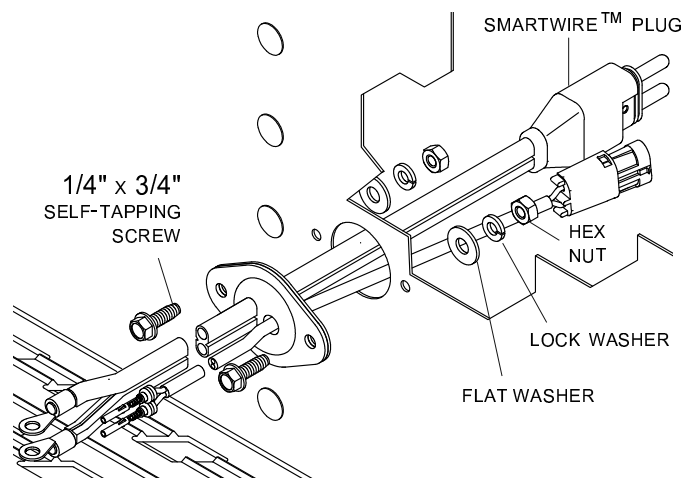
ADAPTER PLUG INSTALLATION

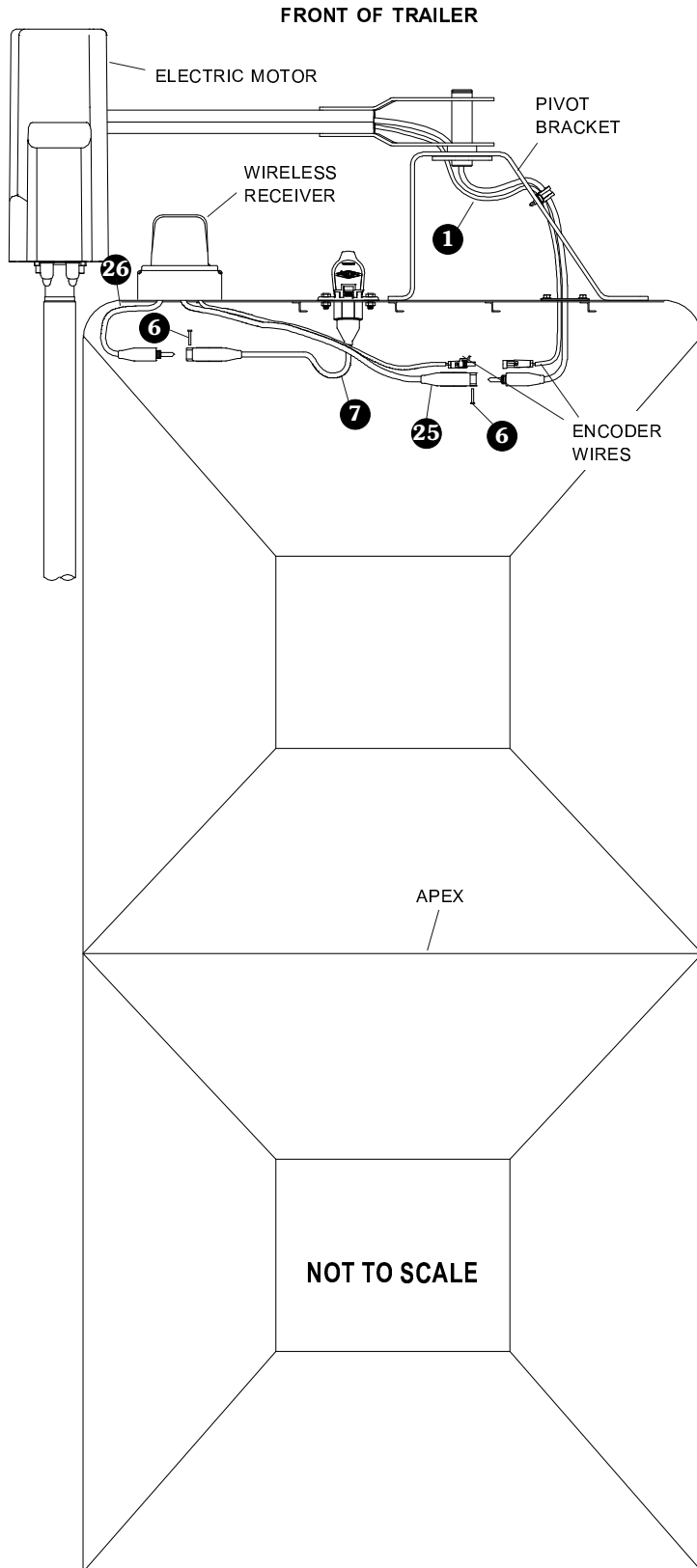
STEP 1: Measure 11" horizontally from center line of trailer and 1" down from lower edge of pivot bracket. Mark and drill 1 1/2" hole through trailer skin.



STEP 2: Align adapter plug with 1 1/2" hole. Using plug as guide, mark and drill two 7/32" holes as shown.

STEP 3: Fasten adapter plug to front of trailer with 1/4" x 3/4" cap screws, lock washers and nuts.





NOTE: Coat each connection with dielectric grease (P/N 1704378) to prevent corrosion.

CAUTION
Do not fasten SMARTwire™ components to trailer through hopper walls.

FRONT OF TRAILER

- STEP 1:** Route SMARTwire™ 25 from wireless receiver to adapter plug 1. Connect wire to adapter plug and secure with lock pin 6. Connect encoder wire ends.
- STEP 2:** Connect SMARTwire™ 26 from wireless receiver into SMARTwire™ 7 and secure connection with lock pin 6.
- STEP 3:** Secure all wires to trailer with cable clips 20 and screws 19. If needed, use cable ties 21.

NOTE: For lead/pup trailer configurations, continue on next page.

NOTE: Coat each connection with dielectric grease (P/N 1704378) to prevent corrosion.



CAUTION

Do not fasten SMARTwire™ components to trailer through hopper walls.

FRONT OF TRAILER

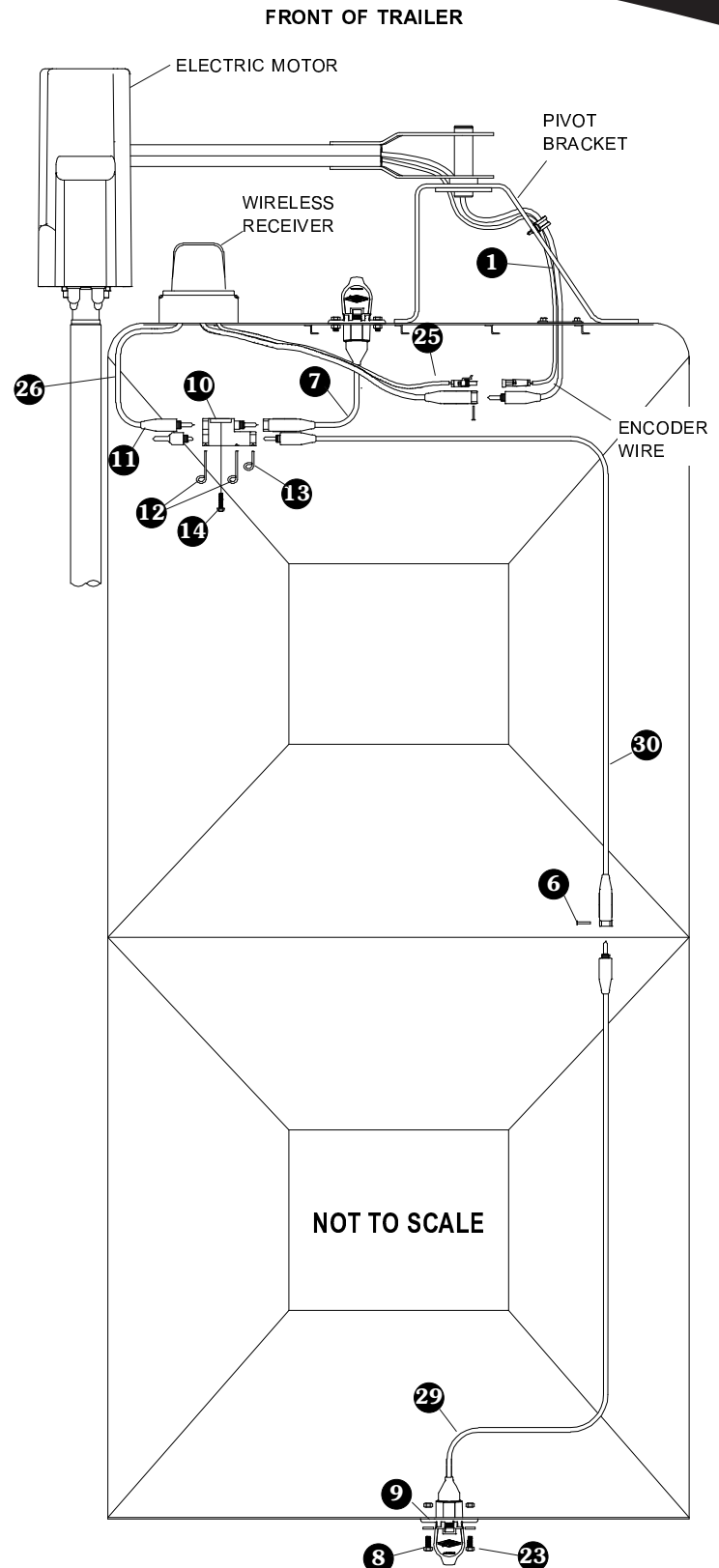
- STEP 1:** Remove lock pin **6** from SMARTwire™ **7** and disconnect wires.
- STEP 2:** To determine location of junction block **10**, route SMARTwires **7** and **26** to location where wires reach. Mount junction block **10** at this location. Using holes in junction block as guide, mark and drill two 7/32" holes.
- STEP 3:** Fasten junction block **10** to trailer with screws **14**.
- STEP 4:** Connect SMARTwires **7**, **26** and **30** to junction block **10**. Insert plug **11** into remaining socket. Secure connections with lock pins **12** and **13**.
- STEP 5:** Route SMARTwire™ **30** towards rear of trailer.

REAR OF TRAILER

- STEP 6:** To determine location for conductor socket **29** on rear of trailer, route SMARTwire™ **30** and SMARTwire™ from conductor socket **29** to location near middle of trailer where wires reach. Mount conductor socket at this location.
- STEP 7:** Follow steps 1 to 3 on page 3 to install conductor socket **29**.

MIDDLE OF TRAILER

- STEP 8:** Connect SMARTwires **30** and **29**. Secure with lock pin **6**.
- STEP 9:** Secure all wires to trailer with cable clips **20** and screws **14**. If needed, use cable ties **21**.



MORE QUALITY PRODUCTS FROM SHUR-CO®

- **Genuine Replacement Tarps**
- **Genuine Replacement Parts**

- **Agriculture Products**
 - Value Series Shur-Lok®
 - Super Duty Shur-Lok®
 - Shur-Lok® Junior
 - Premium Belt 'n Ratchet
 - Cable-Lok™
 - Turning Point™ Bow
 - Tater-Top™

- **SMARTrailer™ Accessories for Agriculture Products**
 - SMART2™ Remote
 - SMART1 +™ Remote
 - 4500 Series HD Electric
 - Electric Shur-Lok®
 - AutoTrap™ Hopper Opener
 - ProTrap® Hopper Opener
 - Electric Gate & Hoist
 - LiteALL™ Work Lights
 - Cable-Lok™ Electric Upgrade
 - Electric Turning Point™ Bow
 - Solar Power Pack

- **Flatbed Products**
 - ShurTite™ Retractable Tarps
 - Stock Lumber & Steel Tarps

- **Custom Products**
 - Fitted Truck Covers
 - Flat Utility Tarps
 - Bean Drill Covers
 - Shur-Lok® Tarp Cords
 - Gustbuster™ Tarp Cords

- **Construction Products**
 - Super Duty Shur-Lok®
 - Shur-Trak II™
 - Cover-Pro II®
 - Turning Point™ Bow
 - IronSide™ Side-Dump System
 - Arm-Matic™
 - DuraPull™
 - Econo-Pull™
 - Turbo Tarp2™
 - 2000 Series
 - 5000 Series
 - Hammer™
 - Bullet™
 - Flash™
 - Long Arm™

- **SMARTrailer™ Accessories for Construction Products**
 - 4500 Series HD Electric w/Gate Flex™
 - Shur-Trak II™ Electric Upgrade
 - Cover-Pro II® Electric Upgrade
 - Electric Turning Point™ Bow
 - Solar Power Pack

- **Waste Products**
 - SWAT™
 - The Ox™
 - Quick-Flip III™
 - Sidewinder™
 - Sidewinder™ 350
 - HyTower™ SL
 - HyTower™ DL
 - Double-Flip™

TARPING SYSTEMS & ACCESSORIES

