



TARPING SYSTEMS & ACCESSORIES

P/N 1121043 Rev. B

# INSTALLATION INSTRUCTIONS

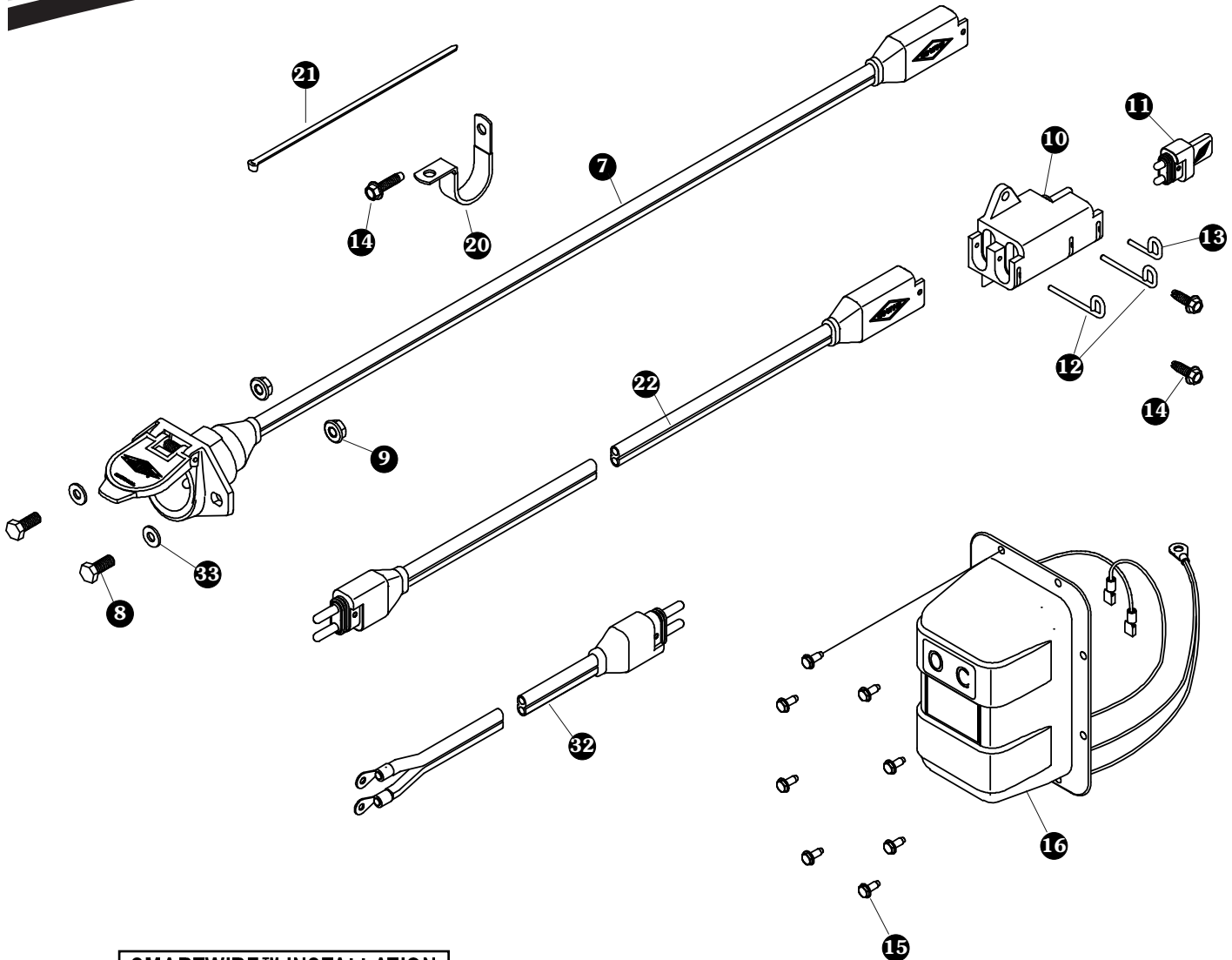


## Wiring - Add ProTraps to 3500 Series

*READ BEFORE INSTALLING*

PO BOX 713 ■ 2309 SHUR-LOK STREET ■ YANKTON, SD 57078-0713  
PHONE 1-800-4-SHUR-LOK (1-800-474-8756) ■ FAX 605-665-0501  
[www.shurco.com](http://www.shurco.com)

SHOP ONLINE: [www.shopshurco.com](http://www.shopshurco.com)

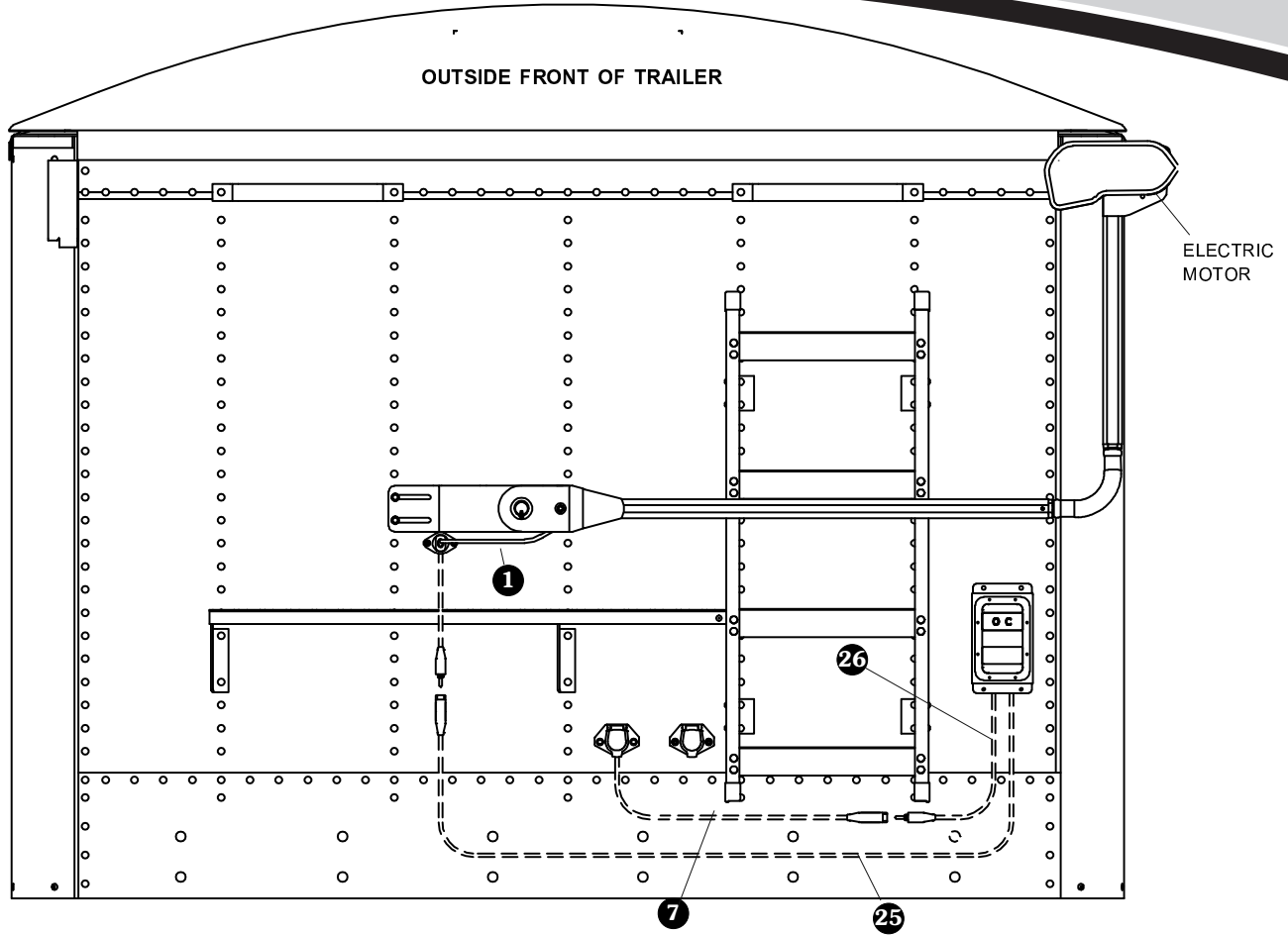


**SMARTWIRE™ INSTALLATION**

This instruction sheet covers a variety of trailers, therefore the locations for the SMARTwire™ components shown here may need to vary slightly on your trailer. Mounting locations are critical because wire lengths cannot be altered. Mounting SMARTwire™ components as close as possible to the locations shown will not only ensure a quick and easy installation, but will also facilitate SMARTwire™ upgrades.

Item	Part #	Description
7.		SMARTwire™ Dual-Conductor Socket
8.	1701045	Cap Screw - 5/16" x 3/4"
9.	1704946	Flanged Top Lock Nut - 5/16"
10.	1704695	Harness Junction Block
11.	1704717	Wire Harness Rubber Plug
12.	1704696	Harness Lock Pin - Long
13.	1704711	Harness Lock Pin - Short
14.	1704338	Self-Tapping Screw - 1/4" x 1"

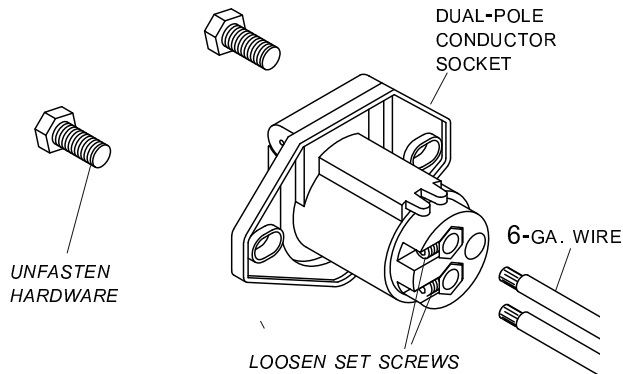
Item	Part #	Description
15.	1704308	Self-Drilling Screw - #10 x 1/2"
16.		Wireless Receiver Cover
20.	1702108	Wire Clip - 3/4"
21.	1703231	Cable Tie - 8"
22.		SMARTwire™ - 6 Ga. x 25' - Plug/Socket
32.		SMARTwire™ - 6 Ga. - Plug/Ring Terminals
33.	1700427	Flat Washer - 1/4"



**NOTE:** Wire lengths are predetermined. Before installing SMARTwire™ components, review and confirm wire routing so that wires will reach components with ample room for connection.

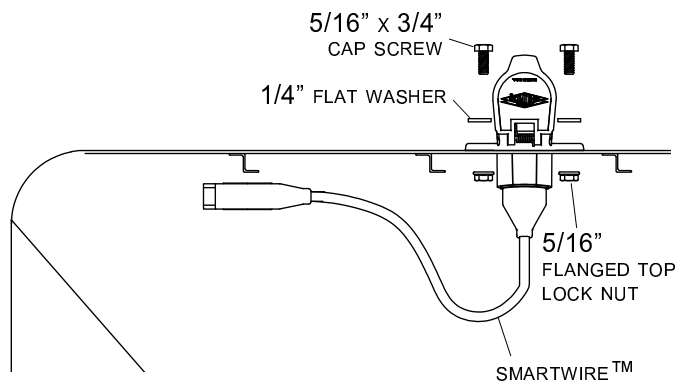
**DUAL-POLE CONDUCTOR SOCKET INSTALLATION**

**STEP 1:** Loosen set screws on back of existing dual-pole conductor socket and disconnect 6-ga. wire.



**STEP 2:** Unfasten and remove dual-pole conductor socket from front of trailer.

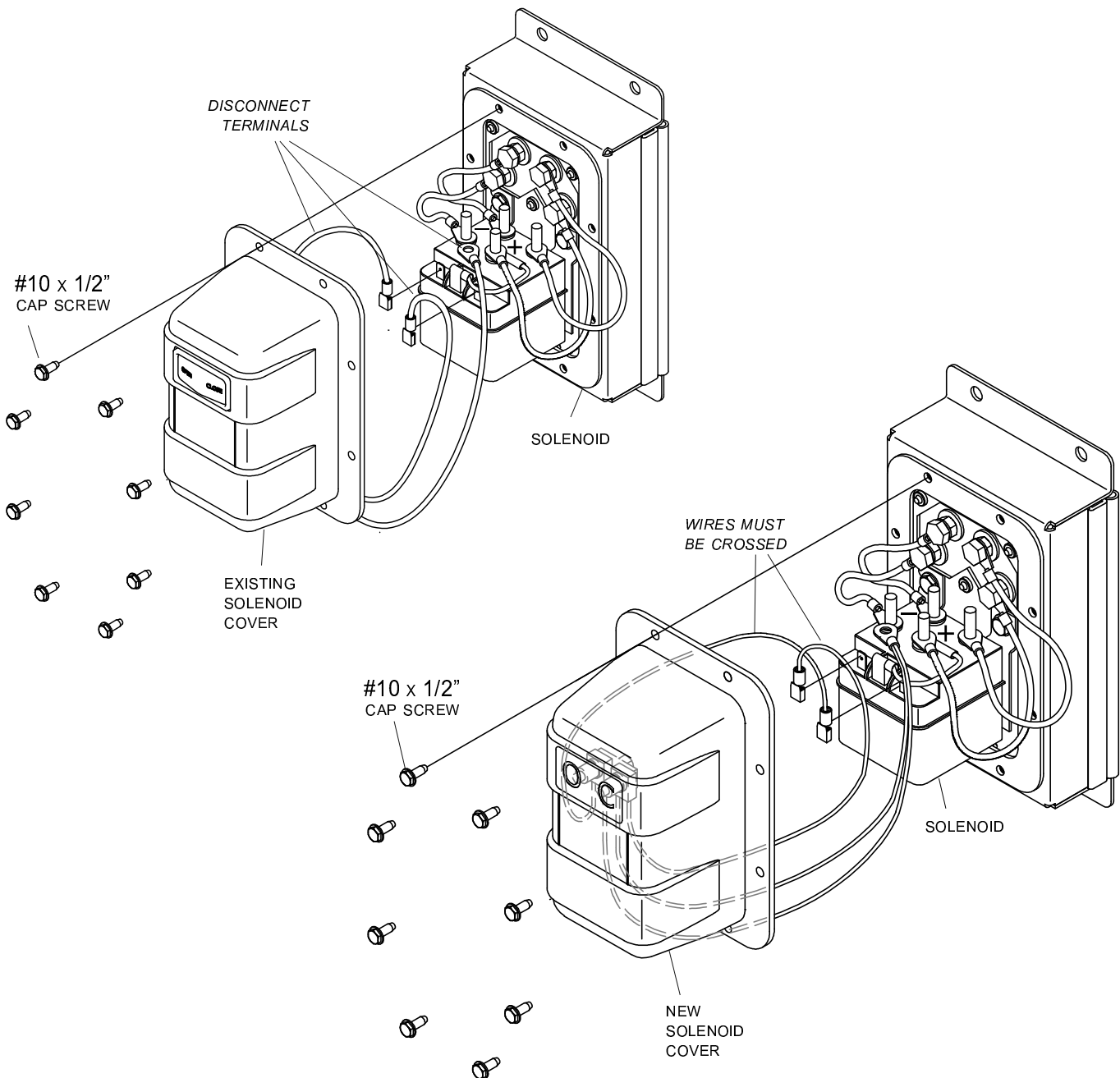
**STEP 3:** Fasten conductor socket to trailer with 5/16" x 3/4" cap screws, flat washers and nuts.



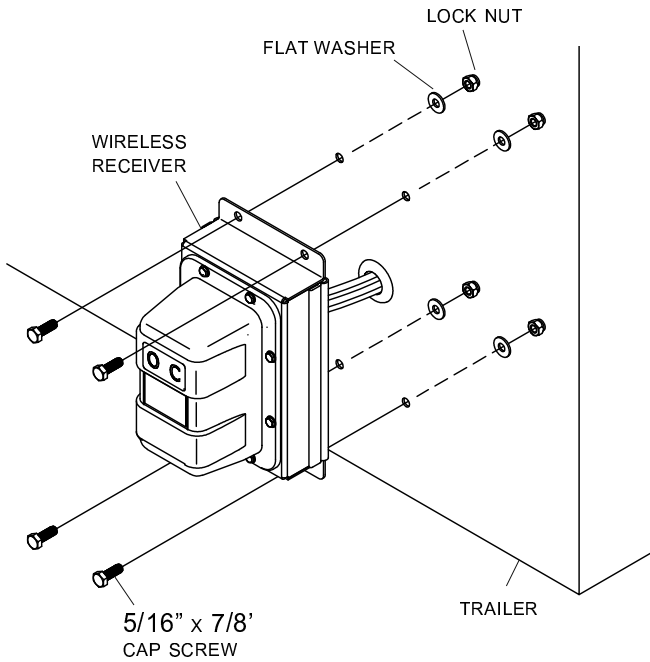
**SHUR-CO® WIRELESS RECEIVER COVER REPLACEMENT**

**STEP 1:** Remove #10 x 1/2" cap screws from existing solenoid cover. Disconnect terminals and remove cover from solenoid/bracket assembly.

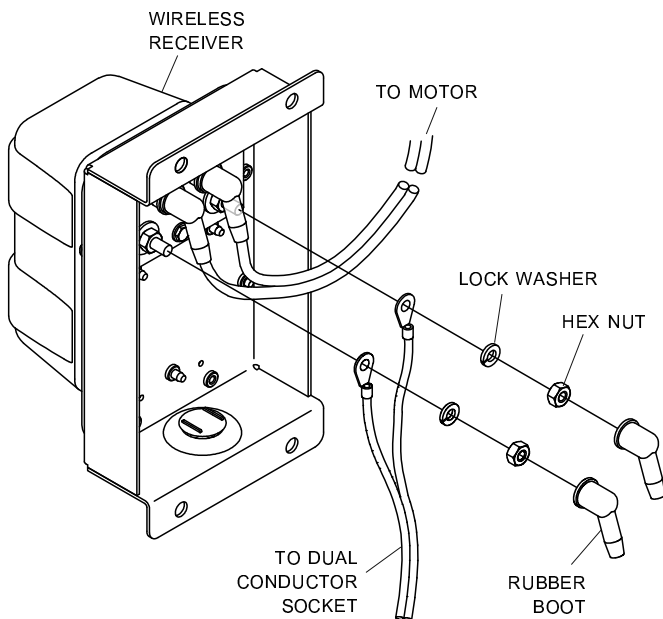
**STEP 2:** Replace existing solenoid cover with new solenoid cover. Install wires as shown and replace #10 x 1/2" cap screws.



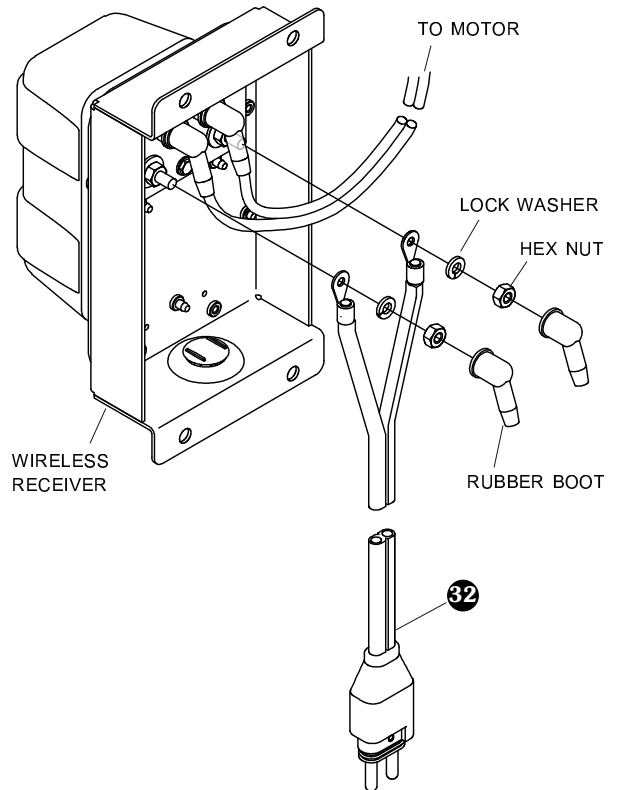
**STEP 1:** Unfasten 5/16" x 7/8" cap screws, flat washers and lock nuts holding wireless receiver to trailer..



**STEP 2:** Identify 6-ga. wire running from dual-conductor socket to wireless receiver. Remove rubber boots, nuts, lock washers and 6-ga. wire from lower posts on back of wireless receiver.

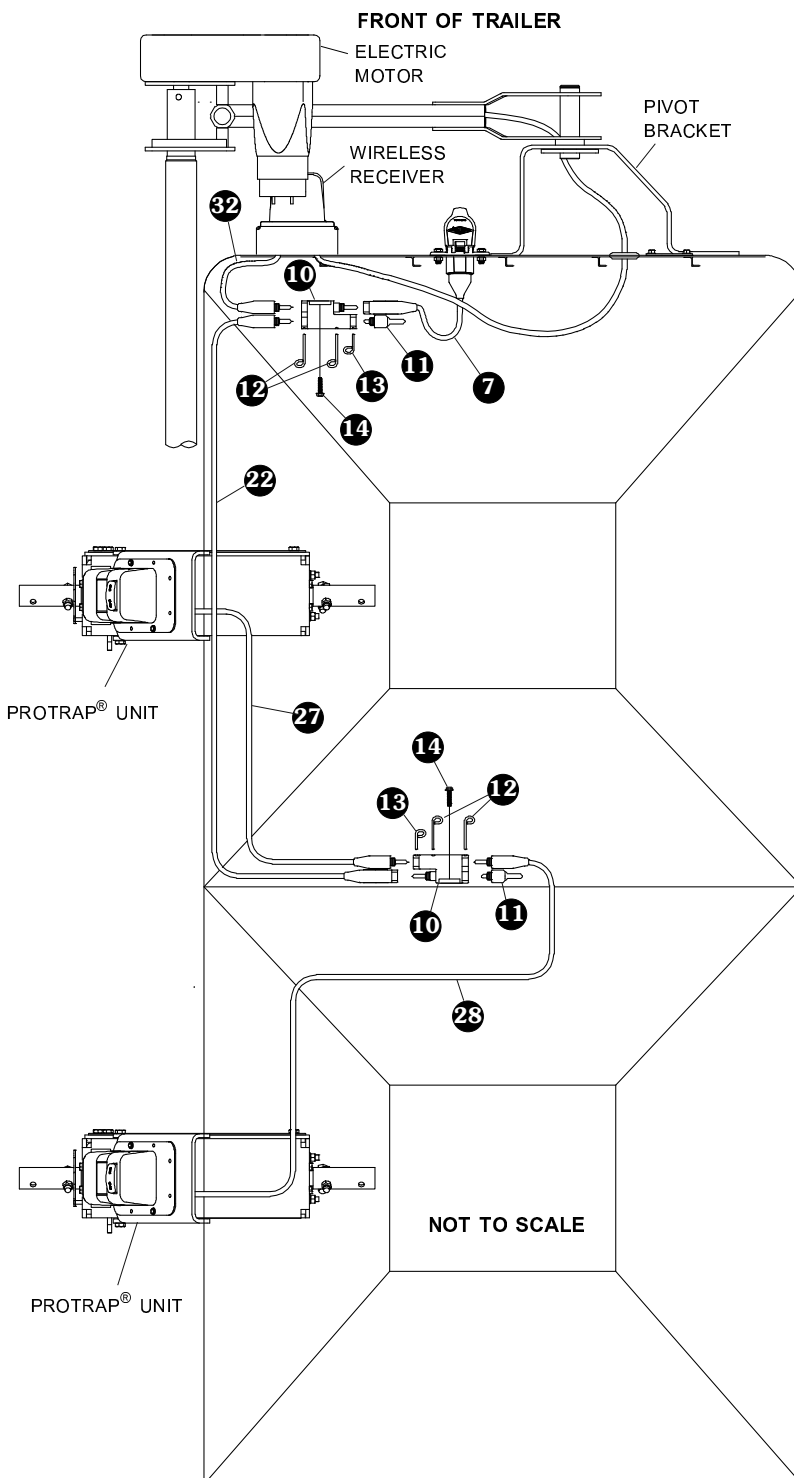


**STEP 3:** Install SMARTwire™ 32 onto lower posts on back of wireless receiver. Insert ends of wires through rubber boots. Place positive wire on orange post and negative wire on black post. Secure lock washers and hex nuts. Coat with dielectric grease and install rubber boots over ring terminals.



**NOTE:** Pass ring terminal ends of SMARTwire™ 32 through existing rubber grommet on front of trailer before connecting ring terminals to posts on wireless receiver. Plug on SMARTwire™ 32 may not fit through grommet.

**STEP 4:** Align holes in wireless receiver with holes in trailer as shown in step 1. Replace 5/16" x 7/8" cap screws, flat washers and lock nuts. Tighten to secure.



**NOTE:** Coat each connection with dielectric grease (P/N 1704378) to prevent corrosion.

**CAUTION**  
Do not fasten SMARTwire™ components to trailer through hopper walls.

**FRONT OF TRAILER**

- STEP 1:** To determine location of front junction block, route SMARTwires 7 and 32 to a location where wires will reach. Mount junction block 10 at this location. Using holes in junction block as a guide, mark and drill two 7/32" holes.
- STEP 2:** Fasten junction block 10 to trailer with screws 14.
- STEP 3:** Connect SMARTwires 7, 22 and 32 to junction block 10. Insert plug 11 into remaining socket. Secure connections with lock pins 12 and 13.
- STEP 4:** Route SMARTwire™ 22 from front to apex of trailer.

**APEX OF TRAILER**

- STEP 5:** To determine location of second junction block, route SMARTwires 22, 27 and 28 to a location near apex of trailer where wires will reach. Mount junction block 10 at this location. Using holes in junction block as a guide, mark and drill two 7/32" holes.
- STEP 6:** Fasten junction block 10 to trailer with screws 14.
- STEP 7:** Connect SMARTwires 22, 27 and 28 to junction block 10 at apex of trailer. Insert plug 11 into remaining socket. Secure all connections with lock pins 12 and 13.
- STEP 8:** Secure all wires to trailer with cable clips 20 and screws 14. If needed, use cable ties 21.



# MORE QUALITY PRODUCTS FROM SHUR-CO®

---

- **Genuine Replacement Tarps**
- **Genuine Replacement Parts**
  
- **Agriculture Products**
  - Value Series Shur-Lok®
  - Super Duty Shur-Lok®
  - Shur-Lok® Junior
  - Premium Belt 'n Ratchet
  - Cable-Lok™
  - Turning Point™ Bow
  
- **SMARTrailer™ Accessories for Agriculture Products**
  - SMART2™ Remote
  - SMART1 +™ Remote
  - 4500 Series HD Electric
  - AutoTrap™ Hopper Opener
  - ProTrap® Hopper Opener
  - LiteALL™ Work Lights
  - Cable-Lok™ Electric Upgrade
  - Electric Turning Point™ Bow
  - Value Series Electric
  - Solar Power Pack
  
- **Flatbed Products**
  - ShurTite™ Retractable Tarps
  - Stock Lumber & Steel Tarps
  - Steel Tarps
  
- **Custom Products**
  - Fitted Truck Covers
  - Flat Utility Tarps
  - Bean Drill Covers
  - Shur-Lok® Tarp Cords
  
- **Construction Products**
  - Super Duty Shur-Lok®
  - Shur-Trak II™
  - Cover-Pro II®
  - Turning Point™ Bow
  - IronSide™ Side-Dump System
  - Arm-Matic™
  - DuraPull™
  - Econo-Pull™
  - Turbo Tarp2 DONOVAN BRAND
  - 2000 Series DONOVAN BRAND
  - 5000 Series DONOVAN BRAND
  - Hammer DONOVAN BRAND
  - Bullet DONOVAN BRAND
  - Flash DONOVAN BRAND
  - Long Arm DONOVAN BRAND
  
- **SMARTrailer™ Accessories for Construction Products**
  - 4500 Series HD Electric w/Gate Flex™
  - Shur-Trak II™ Electric Upgrade
  - Cover-Pro II® Electric Upgrade
  - Electric Turning Point™ Bow
  - Solar Power Pack
  
- **Waste Products DONOVAN BRAND**
  - The Ox™
  - Quick-Flip III
  - Sidewinder
  - Sidewinder 350
  - HyTower SL
  - HyTower DL
  - Double-Flip

TARPING SYSTEMS & ACCESSORIES

