



TARPING SYSTEMS & ACCESSORIES

P/N 1121047 Rev. D

INSTALLATION INSTRUCTIONS

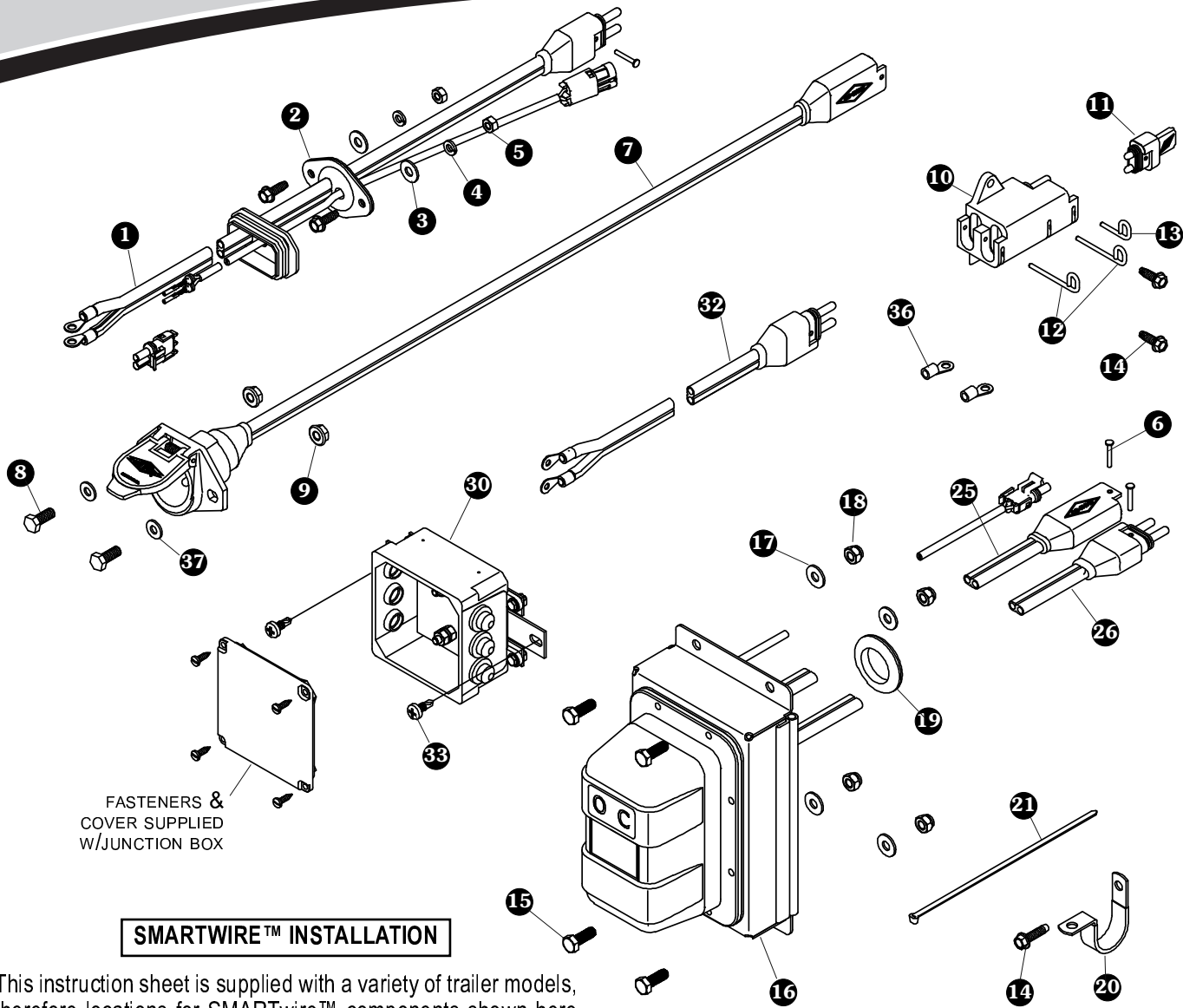


Wiring - Add On 4500 Series to Pre-SMARTwire™ to ProTrap®

READ BEFORE INSTALLING

PO BOX 713 ■ 2309 SHUR-LOK STREET ■ YANKTON, SD 57078-0713
PHONE 1-800-4-SHUR-LOK (1-800-474-8756) ■ FAX 605-665-0501
www.shurco.com

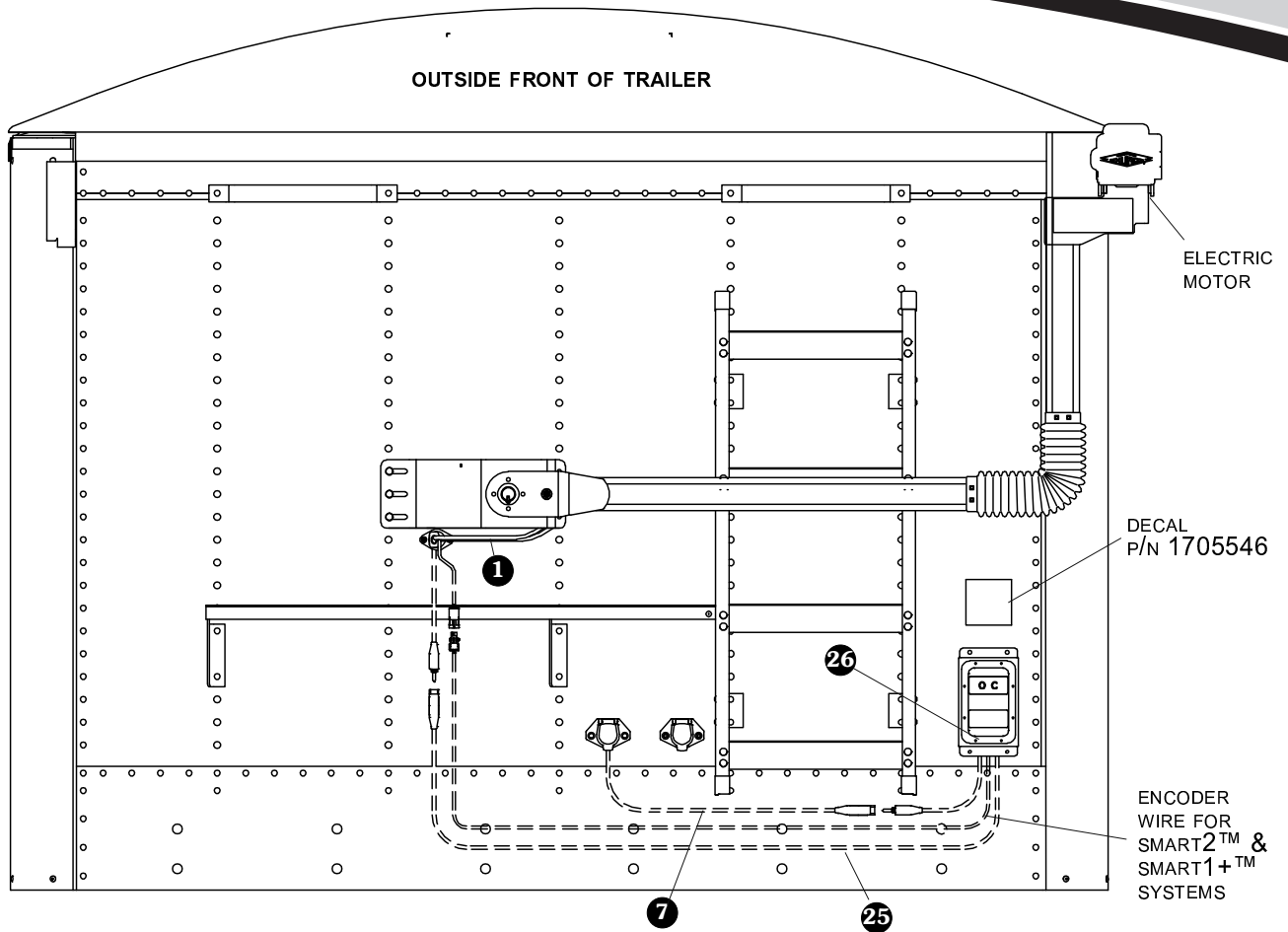
SHOP ONLINE: www.shopshurco.com



This instruction sheet is supplied with a variety of trailer models, therefore locations for SMARTwire™ components shown here may need to vary slightly on your trailer. Mounting locations are critical because wire lengths cannot be altered. Mounting SMARTwire™ components as close as possible to locations shown will not only ensure quick and easy installation but also facilitate SMARTwire™ upgrades.

Item	Part #	Description
1.		SMARTwire™ - 6 Ga. - Plug - 9' 9" w/Encoder Wire
2.	1700403	Self-Tapping Screw - 1/4" x 3/4"
3.	1700427	Flat Washer - 1/4"
4.	1700436	Lock Washer - 1/4"
5.	1700408	Hex Nut - 1/4"
6.	1704751	Harness Lock Pin - 1/4" x 7/8"
7.	1120670	SMARTwire™ Dual-Conductor Socket
8.	1701045	Cap Screw - 5/16" x 3/4"
9.	1704946	Flanged Top Lock Nut - 5/16"
10.	1704695	Harness Junction Block
11.	1704717	Wire Harness Rubber Plug

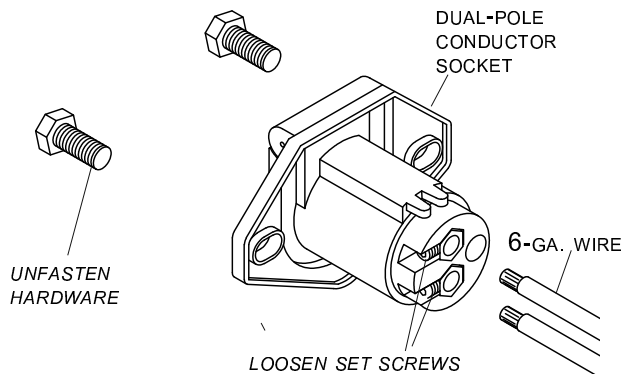
Item	Part #	Description
12.	1704696	Harness Lock Pin - Long
13.	1704711	Harness Lock Pin - Short
14.	1704338	Self-Tapping Screw - 1/4" x 1"
15.	1702926	Cap Screw - 5/16" x 7/8"
16.		Shur-Co® Wireless Receiver - SMARTWire™
17.	1700428	Flat Washer - 5/16"
18.	1700419	Lock Nut - 5/16"
19.	1202938	Rubber Grommet - 1 1/2" Insert
20.	1702108	Wire Clip - 3/4"
21.	1703231	Cable Tie - 8"
25.		SMARTwire™ - 6 Ga. x 6' 3" - Socket
26.		SMARTwire™ - 6 Ga. x 2' 4" - Plug
30.	1119520	6-Hole Junction Box - Assembled
32.		SMARTwire™ - 6 Ga. - Plug/Ring Terminals
33.	1700398	Self-Drilling Screw - 1/4" x 3/4"
36.	1702707	Ring Terminal - 6 Ga. x 1/4" Stud
37.	1700427	Flat Washer - 1/4"



NOTE: Wire lengths are predetermined. Before installing SMARTwire™ components, review and confirm wire routing so wires reach components with ample room for connection.

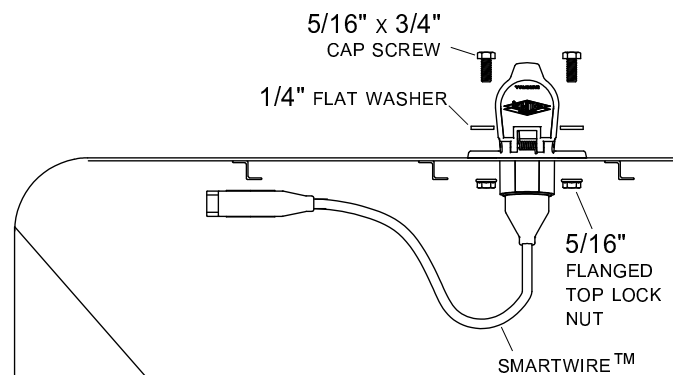
DUAL-POLE CONDUCTOR SOCKET INSTALLATION

STEP 1: Loosen set screws on back of existing dual-pole conductor socket and disconnect 6-ga. wire.



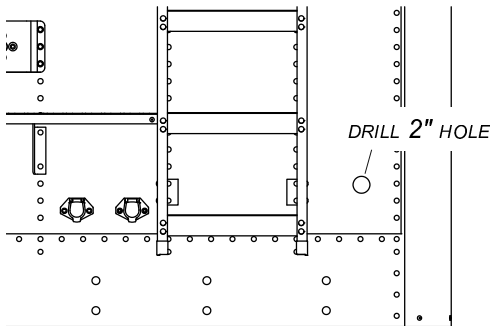
STEP 2: Unfasten and remove dual-pole conductor socket from front of trailer.

STEP 3: Fasten SMARTwire™ conductor socket to trailer with 5/16" x 3/4" cap screws, flat washers and nuts.

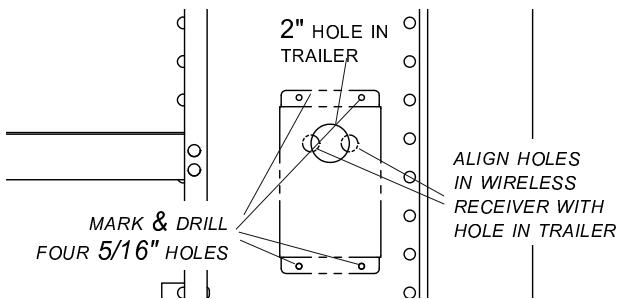


SHUR-CO® WIRELESS RECEIVER INSTALLATION

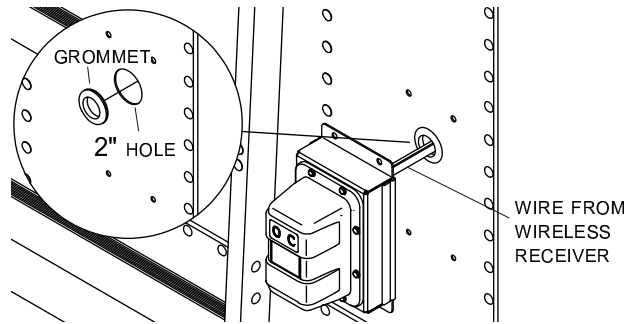
STEP 1: In order to clear travel area of front arm, locate Shur-Co® wireless receiver as low as possible on front of trailer. Determine location and drill 2" hole through trailer skin.



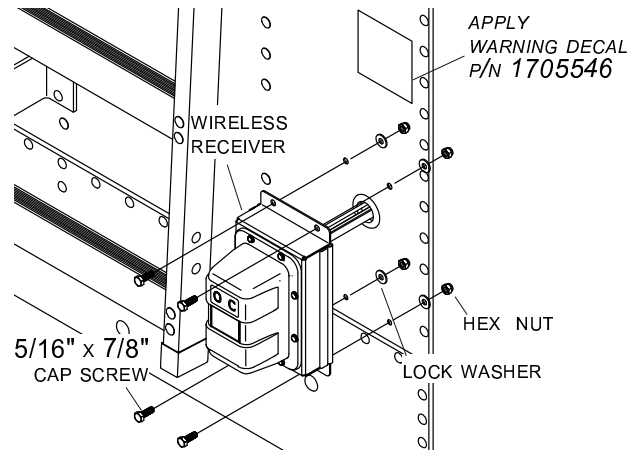
STEP 2: Align holes in wireless receiver over 2" hole in trailer as shown below. Using holes on flanges on receiver as a guide, mark and drill four 5/16" holes as shown.



STEP 3: Install grommet into 2" hole. Insert wire from wireless receiver through grommet.

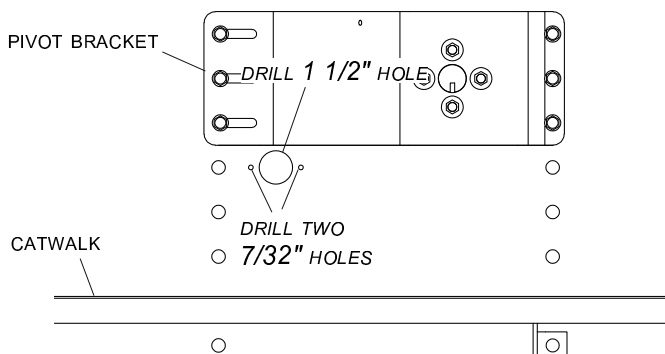


STEP 4: Align holes on wireless receiver with holes on trailer. Fasten receiver to trailer with 5/16" x 7/8" cap screws, lock washers and nuts. Adhere warning decal P/N 1705546 above receiver in location shown.



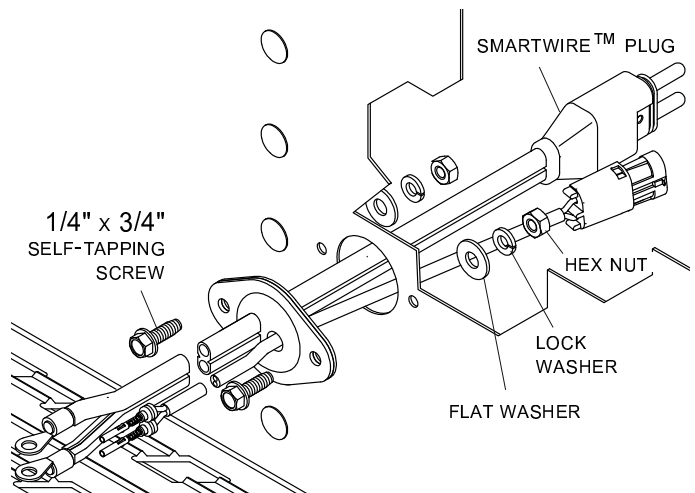
ADAPTER PLUG INSTALLATION

STEP 1: Measure 11" horizontally from center line of trailer and 1" down from lower edge of pivot bracket. Mark and drill 1 1/2" hole through trailer skin.

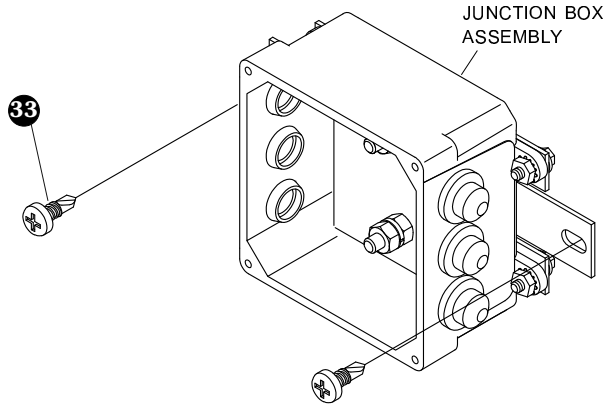


STEP 2: Align adapter plug with 1 1/2" hole. Using plug as a guide, mark and drill two 7/32" holes as shown.

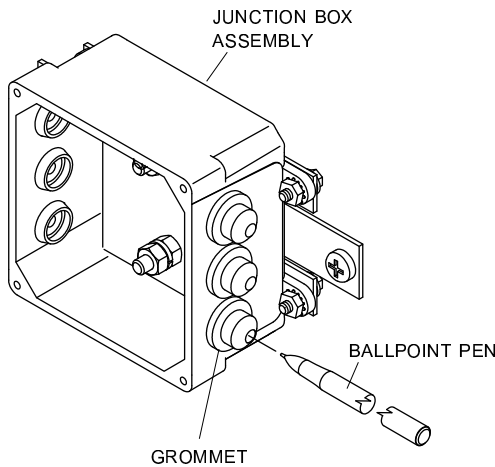
STEP 3: Fasten adapter plug to front of trailer with 1/4" x 3/4" cap screws, lock washers and nuts.



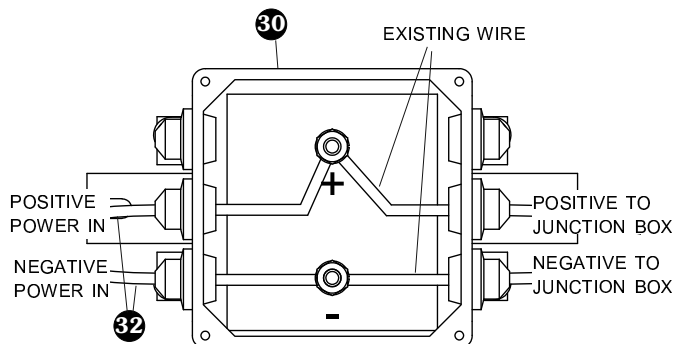
STEP 1: Using slots in junction box assembly as a guide, mark and drill 3/16" holes and fasten to trailer with screws **33**.



STEP 2: Pierce grommets with ballpoint pen so that terminal wires can be inserted through pierced holes.

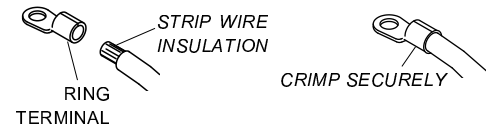


STEP 3: Locate existing wire running from junction box at apex of trailer. Route wire to junction box **30** and fasten loose ends of wire to posts. Fasten SMARTwire™ **32** to posts on junction box **30**.

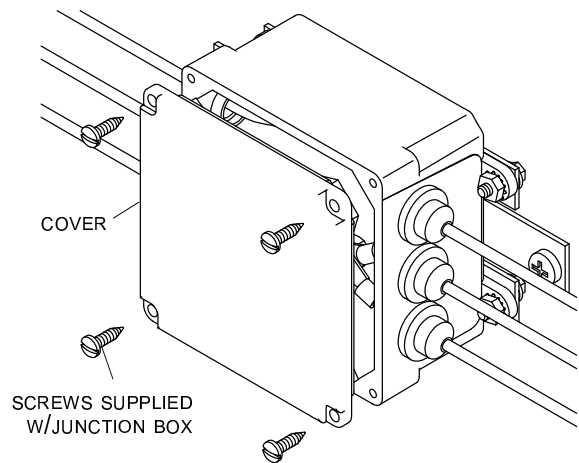


STEP 4: Crimp 1/4" ring terminals to wire ends. Remove nuts and lock washers from junction posts. Place positive wires on positive post and negative wires on negative post. Replace nuts and lock washers onto junction posts and tighten to secure.

NOTE: Cut wires to length if needed and strip only enough wire insulation to install ring terminals. Insert bare wire into ring terminals and crimp securely.



STEP 5: Fasten cover to junction box with supplied screws.

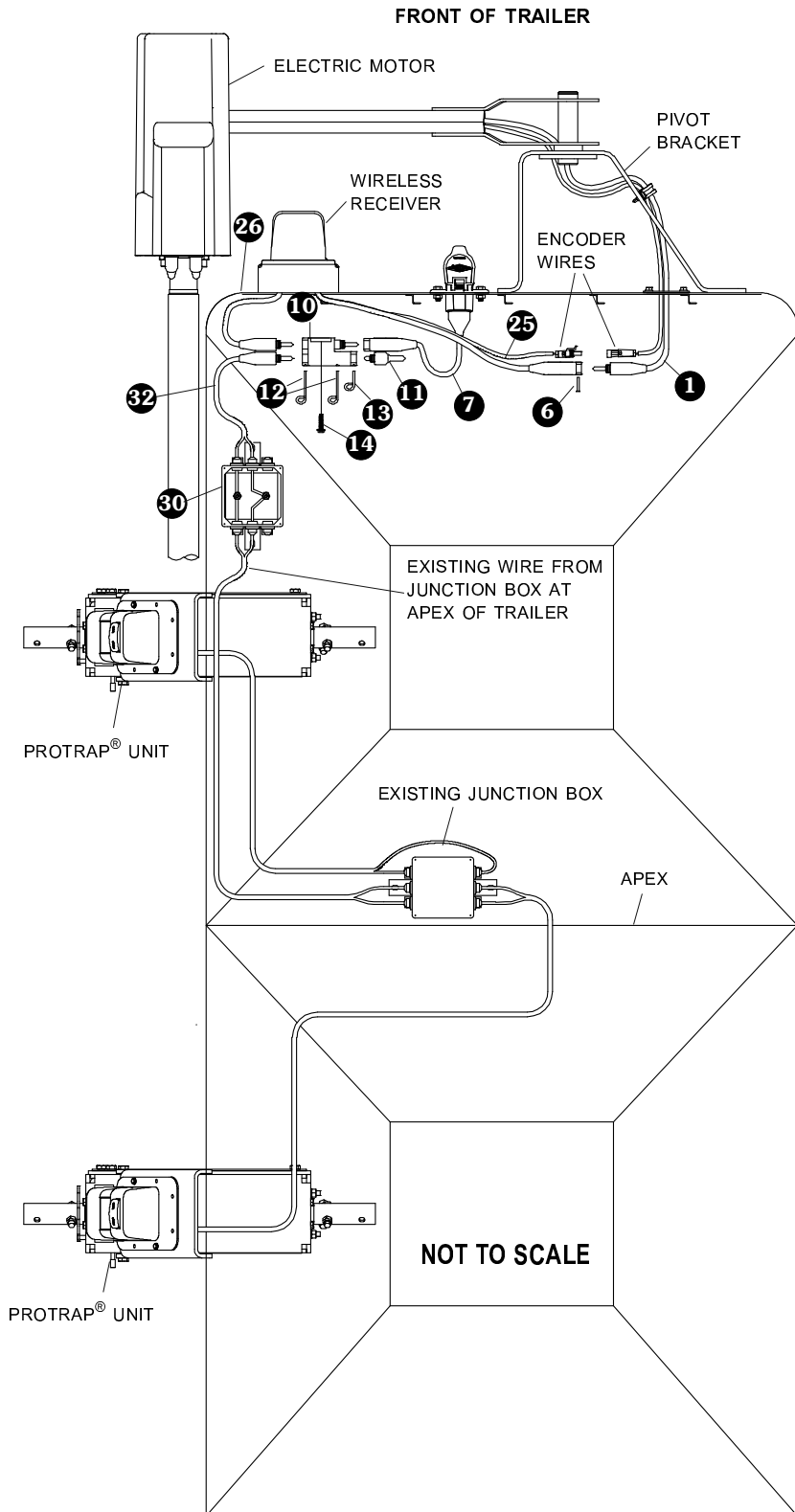


NOTE: Coat each connection with dielectric grease (P/N 1704378) to prevent corrosion.

CAUTION
Do not fasten SMARTwire™ components to trailer through hopper walls.

FRONT OF TRAILER

- STEP 1:** Route SMARTwire™ 25 from wireless receiver to adapter plug 1. Connect encoder wire ends. Connect wire to adapter plug and secure with lock pin 6.
- STEP 2:** To determine location of junction block 10, route SMARTwires 7, 26 and 32 to a location where wires reach. Mount junction block 10 at this location. Using holes in junction block as guide, mark and drill two 7/32" holes.
- STEP 3:** Fasten junction block 10 to trailer with screws 14.
- STEP 4:** Connect SMARTwires 7, 32 and 26 to junction block 10. Insert plug 11 into remaining socket. Secure connections with lock pins 12 and 13.
- STEP 5:** To determine location of junction box 30, route SMARTwire™ 32 and existing wire from junction box at apex of trailer to a location where wires reach. Mount junction box 30 at this location.
- STEP 6:** See page 4 to fasten junction box 30 to trailer and connect wires.
- STEP 7:** Secure all wires to trailer with cable clips 20 and screws 14. If needed, use cable ties 21.



MORE QUALITY PRODUCTS FROM SHUR-CO®

- **Genuine Replacement Tarps**
- **Genuine Replacement Parts**

- **Agriculture Products**
 - Value Series Shur-Lok®
 - Super Duty Shur-Lok®
 - Shur-Lok® Junior
 - Premium Belt 'n Ratchet
 - Cable-Lok™
 - Turning Point™ Bow

- **SMARTrailer™ Accessories for Agriculture Products**
 - SMART2™ Remote
 - SMART1 +™ Remote
 - 4500 Series HD Electric
 - AutoTrap™ Hopper Opener
 - ProTrap® Hopper Opener
 - LiteALL™ Work Lights
 - Cable-Lok™ Electric Upgrade
 - Electric Turning Point™ Bow
 - Value Series Electric
 - Solar Power Pack

- **Flatbed Products**
 - ShurTite™ Retractable Tarps
 - Stock Lumber & Steel Tarps
 - Steel Tarps

- **Custom Products**
 - Fitted Truck Covers
 - Flat Utility Tarps
 - Bean Drill Covers
 - Shur-Lok® Tarp Cords

- **Construction Products**
 - Super Duty Shur-Lok®
 - Shur-Trak II™
 - Cover-Pro II®
 - Turning Point™ Bow
 - IronSide™ Side-Dump System
 - Arm-Matic™
 - DuraPull™
 - Econo-Pull™
 - Turbo Tarp2 DONOVAN BRAND
 - 2000 Series DONOVAN BRAND
 - 5000 Series DONOVAN BRAND
 - Hammer DONOVAN BRAND
 - Bullet DONOVAN BRAND
 - Flash DONOVAN BRAND
 - Long Arm DONOVAN BRAND

- **SMARTrailer™ Accessories for Construction Products**
 - 4500 Series HD Electric w/Gate Flex™
 - Shur-Trak II™ Electric Upgrade
 - Cover-Pro II® Electric Upgrade
 - Electric Turning Point™ Bow
 - Solar Power Pack

- **Waste Products DONOVAN BRAND**
 - The Ox™
 - Quick-Flip III
 - Sidewinder
 - Sidewinder 350
 - HyTower SL
 - HyTower DL
 - Double-Flip