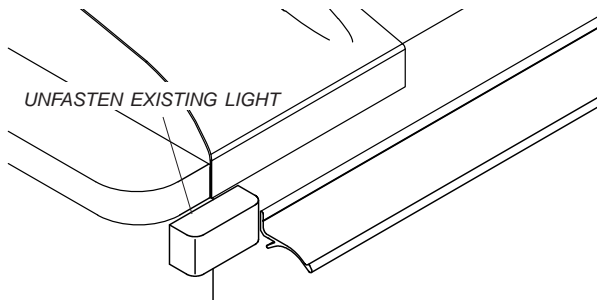
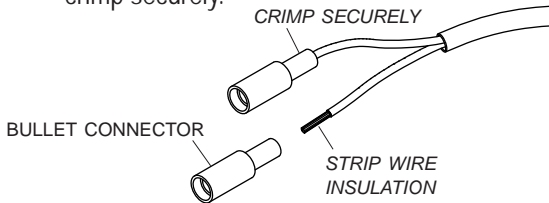


Item	Part #	Description
	1121182	Clearance Light Kit
1.	1704883	LED Clearance Light
2.	1704884	Grommet - 5/8" x 1/4"
3.	1704885	Female Bullet Connector
4.	1704886	Heat Shrink Tubing - 3/8" x 6"

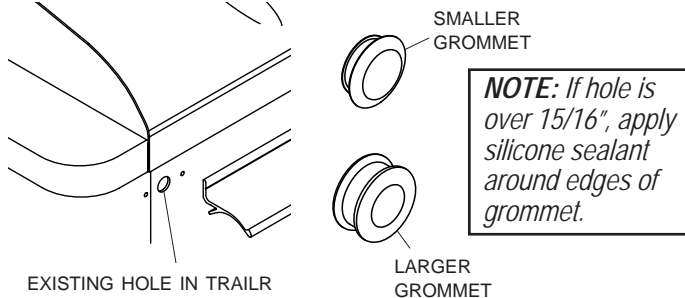
**STEP 1:** Disconnect power to trailer. Unfasten clearance light from front of trailer.



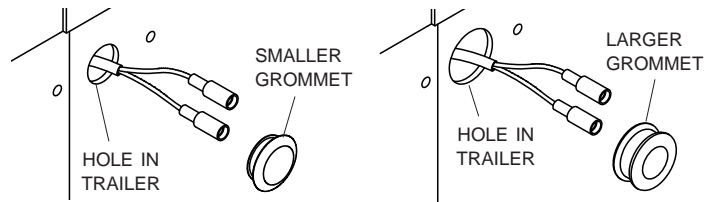
**STEP 2:** Cut existing wires to clearance light. Cut wires to length and strip only enough wire insulation to install bullet connectors. Insert bare wire into bullet connectors and crimp securely.



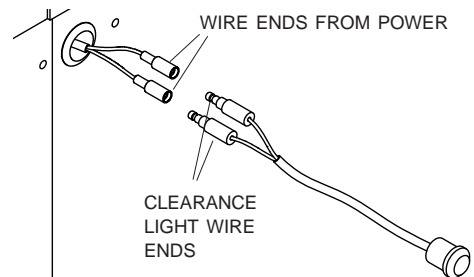
**STEP 3:** Determine which grommet to install in existing hole in trailer. If hole size is 3/4" or less in diameter, use smaller grommet. If hole is greater than 3/4" diameter, remove grommet from clearance light and use larger grommet.



**STEP 4:** Install grommet into hole in trailer.



**STEP 5:** Reconnect power to trailer. Connect clearance light wire ends to wire ends from power. Light is polarity sensitive. Switch wire ends if light does not turn on. White wire on clearance light is negative and black wire is positive.



**STEP 6:** Cut heat shrink in half and slide sections over wire ends. Connect wires as directed in step 5 and apply heat to seal. Move wire connections inside trailer wall and press LED light into grommet.

