



TARPING SYSTEMS & ACCESSORIES

P/N 1122111 Rev. B

OWNER'S MANUAL

Econo-Pull System

For Belly Dumps, Dump Bodies & Pups

READ BEFORE INSTALLING

PO BOX 713 ■ 2309 SHUR-LOK STREET ■ YANKTON, SD 57078-0713
PHONE 1-800-4-SHUR-LOK (1-800-474-8756) ■ FAX 605-665-0501
www.shurco.com

SHOP ONLINE: www.shopshurco.com

SHIPPING. Orders are shipped F.O.B. from the Shur-Co[®], LLC sites listed below. No full freight is allowed or prepaid shipment accepted unless quoted and approved in writing prior to acceptance of the order. All shipments are made by the most reasonable means in accordance with size and weight of order, unless specified routing instructions are furnished by the customer. Shipments are made daily via U.P.S. and common carrier. Claims for shortages must be made within 10 days. All claims for damages or loss in transit must be made with the carrier. No collect calls will be accepted. To ensure delivery of orders, we need your full street address and phone number. When you receive your shipment, examine it carefully. Be sure all cartons listed on the delivery sheet are accounted for. Large items may be packaged separately. If a carton is damaged, open it and inspect the contents before signing for delivery. If merchandise is damaged, describe damage on the delivery receipt. Failure on your part to document damaged or missing merchandise on the delivery receipt releases the carrier of all liability; repair or replacement will be the customer's responsibility.

WARRANTY. We warrant all new products are free of defects in materials and workmanship.* This warranty is effective if products are properly installed and used for the purpose for which they were intended and applies to the original buyer only. Except as set forth above or in any product-specific warranty documentation, we make no other warranties, express or implied, including but not limited to warranties of merchantability of fitness for a particular use.

Returns of a product for warranty must be accompanied by a Return Merchandise Authorization number (RMA#), obtained by calling Customer Service at 866-748-7435, and sent, with freight paid by us, to Shur-Co[®], LLC, 2309 Shur-Lok St., PO Box 713, Yankton, SD 57078. All products returned without an RMA# will be refused. When we issue the RMA#, we will also issue a call tag to have UPS (or other freight company) pick up the product. C.O.D. returns not accepted. We will pay no storage fees for a warranty product return prior to pick by us or the freight company. If a warranty product return is scheduled to be picked up by us, we will pick up the product at our earliest convenience.

If a product returned is found, in our judgement, to be defective in material or workmanship, our obligation under this warranty is limited to the repair or replacement of the product, which will be made by us. Repair or replacement will be at our discretion, with replacements being made using current products performing in the equivalent function. Labor charges, other than those incurred at our factory, including, but not limited to, any labor to install a repaired or replacement product, are not covered under this warranty. All expenses associated with delivering defective products to our factory and delivering repaired or replacement products from our factory to the owner will be paid by us.

If the product returned is found, in our judgement, to be non-warrantable, the owner will be contacted to authorize repair work, purchase of a replacement product or return of the product, all of which will be at the owner's expense. Payment authorization must be received by us before any non-warrantable product is repaired, replaced or returned. All expenses associated with delivering the repaired non-warrantable product, a replacement product or the non-warrantable product from our factory to the owner will be paid by the owner.

In no event will we be liable for any damages of any kind to person, product or property, including but not limited to indirect, incidental, special, consequential or punitive damages, or damages for loss of profits or revenue, even if we have been advised of the possibility of such damages. There are no warranties for used products or products that have been repaired, altered, modified or subjected to misuse, negligence or accident. We will not repair or replace products that fail or malfunction due to ordinary wear and tear, except as expressly noted in a product-specific warranty. Use of non-Shur-Co[®], LLC parts in conjunction with Shur-Co[®], LLC products will void this product warranty.

*Certain products have specific warranties that differ from this warranty, for example motors and electronics. Product-specific warranty documentation is available for these items. In the event of a conflict between this warranty and a product-specific warranty, the product-specific warranty will govern.

RETURN POLICY. All sales final. See WARRANTY above for return details.

OTHER. All prices, product listings, sizes, weights and manufacturing details are subject to change without notice. No person is authorized to modify the foregoing conditions of sale whatsoever.

SHUR-CO[®], LLC SERVICE AND DISTRIBUTION CENTERS

Corporate HQ and Outlet Store

SHUR-CO[®] of SOUTH DAKOTA
2309 Shur-Lok St., PO Box 713
Yankton, SD 57078-0713
Ph 800.474.8756 | Fax 605.665.0501

ShurTite[™] Service Centers

SHUR-CO[®] of CANADA
490 Elgin St., Unit #1
Brantford, Ontario N3S 7P8
Ph 800.265.0823 | Fax 519.751.3997

SHUR-CO[®] of SIOUX FALLS
47184 258th St., Suite B
Sioux Falls, SD 57107
Ph 844.573.9322 | Fax 605.543.5469

SHUR-CO[®] of COLORADO
10220 Brighton Rd., Unit #1
Henderson, CO 80640
Ph 866.355.9173 | Fax 303.289.2298

SHUR-CO[®] of FLORIDA
3353 SE Gran Park Way
Stuart, FL 34997
Ph 800.327.8287 | Fax 772.287.0431

SHUR-CO[®] of ILLINOIS
3993 E. Mueller Ave.
Decatur, IL 62526
Ph 866.356.0246 | Fax 217.877.8270

SHUR-CO[®] of IOWA
3839 Midway Blvd.
Ft. Dodge, IA 50501
Ph 866.356.0245 | Fax 515.576.5578

SHUR-CO[®] of MICHIGAN
5100 Lakeshore Dr.
Lexington, MI 48450
Ph 800.327.8287 | Fax 772.287.0431

SHUR-CO[®] of NORTH DAKOTA
1746 4th Ave. NW
West Fargo, ND 58078
Ph 877.868.4488 | Fax 701.277.1283

SHUR-CO[®] of OHIO
1100 N. Freedom, St. Rt. 88 & 14
Ravenna, OH 44266
Ph 866.356.0242 | Fax 330.297.5599

SHUR-CO[®] of TEXAS
34505 I-10 West, S. Frontage Rd.
Brookshire, TX 77423
Ph 866.689.0039 | Fax 281.934.3311


SHUR-CO[®] UK, Ltd.
Unit 41 Rochester Airport Estates
Laker Rd., Rochester, Kent ME1 3QX
Ph +44 (0)1795.473499
Fax +44 (0)871.272.8278

For more information, log on to our website:

www.shurco.com

MESSAGE TO OWNERS

Thank you for buying this tarping system from Shur-Co®. We appreciate your confidence in our products. Please read and thoroughly understand this manual before installing and/or operating this system.

Pay particular attention to important safety and operating instructions, as well as warnings and cautions. The hazard symbol  is used to alert users to potentially hazardous conditions and is followed by caution, warning or danger messages.

Failure to READ AND FOLLOW INSTRUCTIONS could result in failure of your tarping system and/or personal injury. Your trailer requirements may, however, call for minor variations to these instructions.

Please inspect your tarping system periodically. Repair or replace worn or damaged parts to your system.

QUESTIONS? CALL OUR HELP LINE:

1-866-748-7435

MON-FRI 8 AM-5 PM CENTRAL TIME

SAFETY

We at Shur-Co® are concerned with your safety and the safety of all those operating this system. Therefore, we have provided safety decals at various locations on your tarping system. Keep decals as clean as possible at all times. Replace any decal that has become worn or damaged, painted over or otherwise difficult to read. Replacement decals are available through Shur-Co® dealers.

SAFETY INSTRUCTIONS

- 1. Always wear safety glasses during installation and operation.**
- 2. Stay clear of moving parts.**
- 3. Do not operate under low-hung power lines. Always check for overhead obstructions before opening or closing.**
- 4. Open and close tarp only at the job site.**
- 5. Face vehicle into wind when opening and closing tarp.**
- 6. Install tarp on axle to roll off the top and toward the rear of the box.**
- 7. No other use of this system is authorized, except as designed.**

RUST PREVENTION

To prevent rust, paint all exposed metal, such as weld seams and/or metal exposed by grinding or cutting, with corrosion-resistant paint.

TABLE OF CONTENTS

Hardware Identification..... 1
 Front Drive Installation.....2-3
 Windshield Installation..... 4
 Tarp Installation 5
 Tarp Guide Installation..... 6
 Tarp Tube Installation 7
 Gate Hook & Rope Return..... 8
 Manual Crank Installation..... 9
 Crank Installation..... 10
 Replacement Parts..... 11-12

TOOLS REQUIRED

1. Wrench - 7/16"
2. Wrench - 1/2"
3. Wrench - 9/16"
4. Metric Allen Wrench - 3mm
5. Allen Wrench - 1/8"
6. Allen Wrench - 5/32"
7. Drill Bit - 9/32"
8. Drill Bit - 1/4"
9. Drill Bit - 5/16"
10. Center Punch
11. Hammer
12. Tape Measure
13. Grinder
14. Air or Electric Impact Wrench w/9/16" Socket
15. Metal Saw

MAINTENANCE

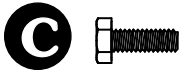
- Tighten any loose bolts.
- Make sure arms are not hitting sides of box.
- Replace bent arms.
- Replace worn or broken springs.
- Replace/repair worn or damaged tarps.



1703960 Cap Screw - 1/4" x 1/2"



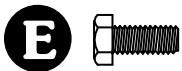
1703327 Button Hd. Cap Screw - 1/4" x 5/8"



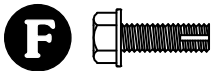
1703959 Cap Screw - 1/4" x 3/4"



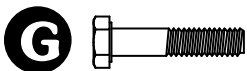
1704764 Self-Drilling Screw - 1/4" x 3/4"



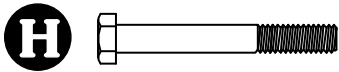
1701045 Cap Screw - 5/16" x 3/4"



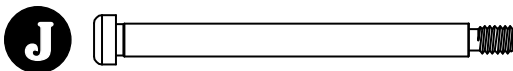
1701059 Self-Tapping Screw - 5/16" x 1"



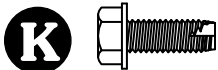
1701468 Cap Screw - 5/16" x 1 3/4"



1703237 Shoulder Bolt - 5/16" Thd. x 4 1/2"



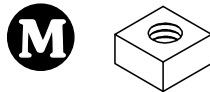
1701199 Cap Screw - 5/16" x 2 1/2"



1700400 Self-Tapping Screw - 3/8" x 1"



1700408 Hex Nut - 1/4"



1703290 Square Nut - 1/4"



1700411 Hex Nut - 5/16"



1700419 Nylon Lock Nut - 5/16"



1702492 Top Lock Nut - 5/16"



1700407 Hex Nut - 3/8"



1700436 Lock Washer - 1/4"



1703218 Fender Washer - 1/4" x 1"



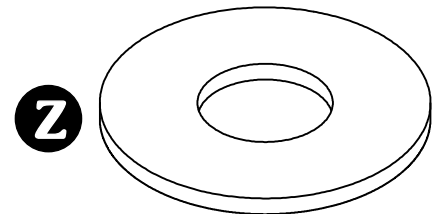
1700427 Flat Washer - 1/4"



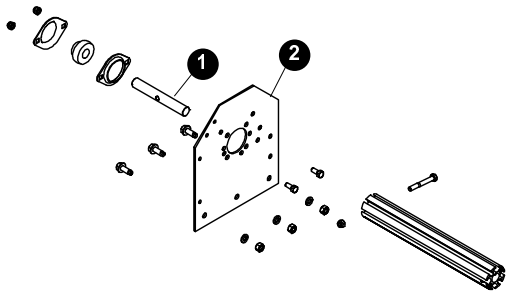
1700433 Lock Washer - 5/16"



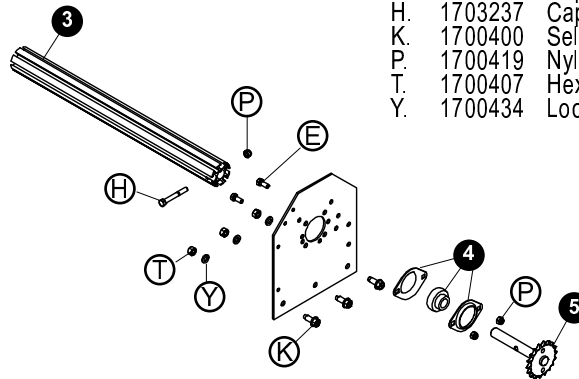
1700434 Lock Washer - 3/8"



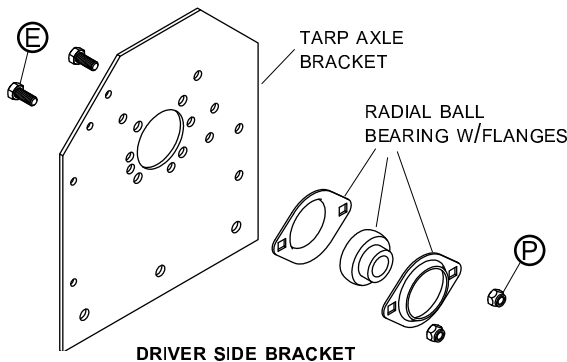
1701209 Flat Washer - 1 1/8"



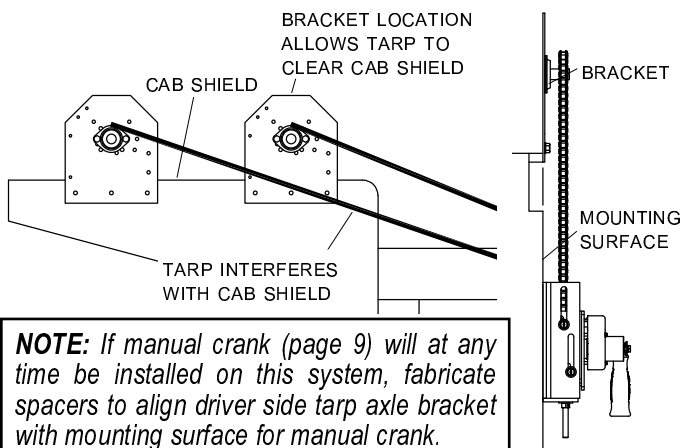
Item	Part #	Description
1.	1114940	Tarp Axle Stub Shaft
2.	1117080	Tarp Axle Bracket
3.	1114961	Threaded Tarp Axle
4.	1703374	Radial Ball Bearing w/Flanges
5.	1117093	Driver Side Sprocket
E.	1701045	Cap Screw - 5/16" x 3/4"
H.	1703237	Cap Screw - 5/16" x 2 1/2"
K.	1700400	Self-Tapping Screw - 3/8" x 1"
P.	1700419	Nylon Lock Nut - 5/16"
T.	1700407	Hex Nut - 3/8"
Y.	1700434	Lock Washer - 3/8"



STEP 1: Assemble ball bearing to bearing flanges. Fasten to outside of tarp axle brackets with screws **E** and nuts **P**. Finger tighten.

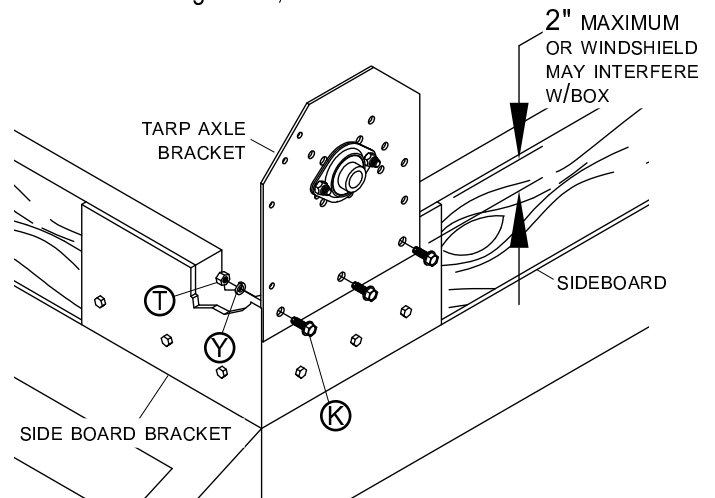


STEP 2: Determine tarp axle bracket location on front of box. Tarp must clear cab shield when opening and closing.



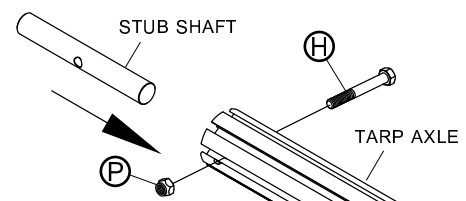
NOTE: If manual crank (page 9) will at any time be installed on this system, fabricate spacers to align driver side tarp axle bracket with mounting surface for manual crank.

STEP 3: Using tarp axle bracket as a template, mark and drill 5/16" holes into steel framework on box. Fasten brackets with screws **K**, washers **Y** and nuts **T**. If mounting to sideboards only, fasten with 3/8" x 2 1/2" carriage bolts, washers and nuts.

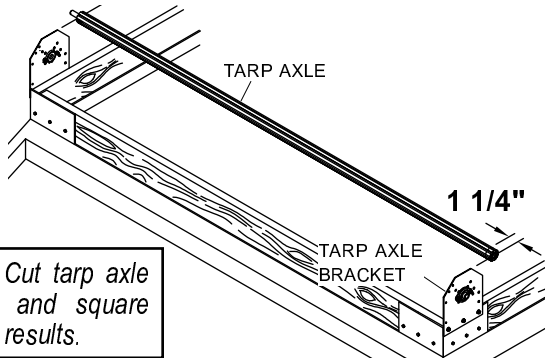


NOTE: Install mounting brackets directly across from each other in line on opposite sides of box/cab guard.

STEP 4: Insert stub shaft into end of tarp axle with drilled hole and fasten with screw **H** and nut **P**.

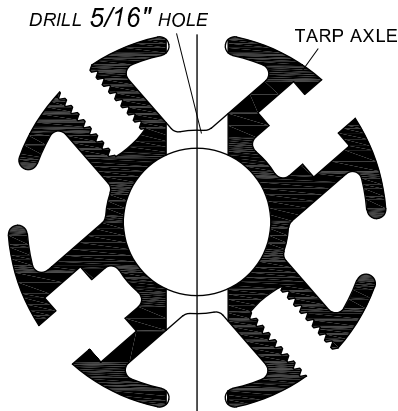


STEP 5: Measure distance between outside edges of tarp axle brackets. Measure and mark tarp axle 1 1/4" shorter than this distance.

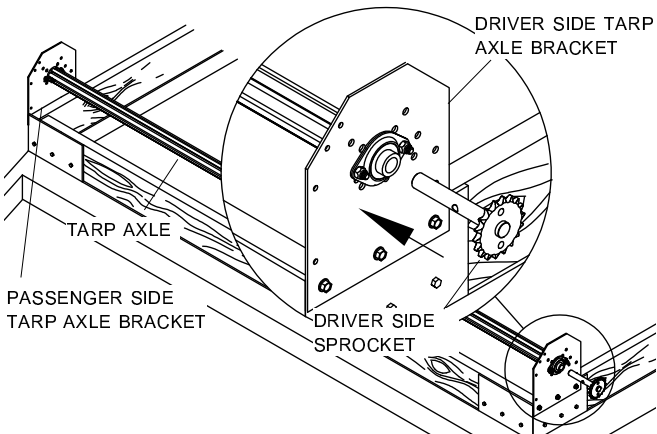


NOTE: Cut tarp axle straight and square for best results.

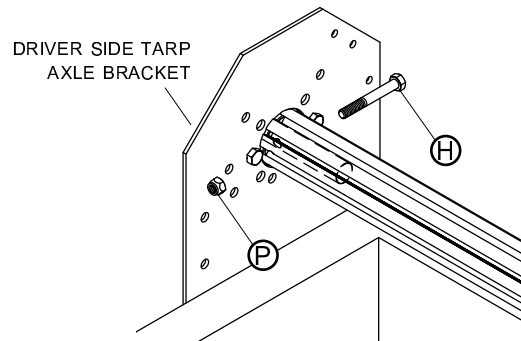
STEP 6: Remove tarp axle, cut squarely at mark and deburr cut end. Drill 5/16" hole 5/8" from cut end of axle, aligning hole as shown.



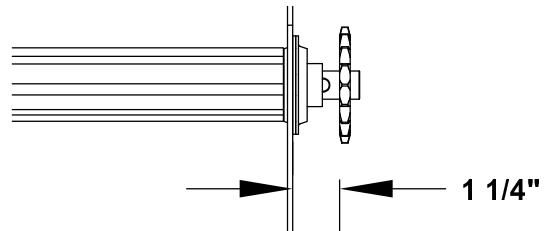
STEP 7: Manual crank system. Insert stub shaft through passenger side tarp axle bracket. Align tarp axle between brackets and insert driver side sprocket through bracket and into tarp axle.



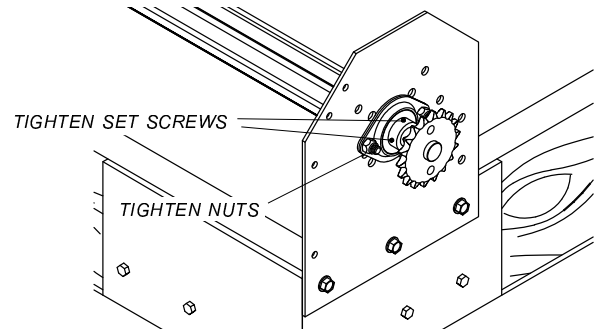
STEP 8: Fasten with screw (H) and nut (P).

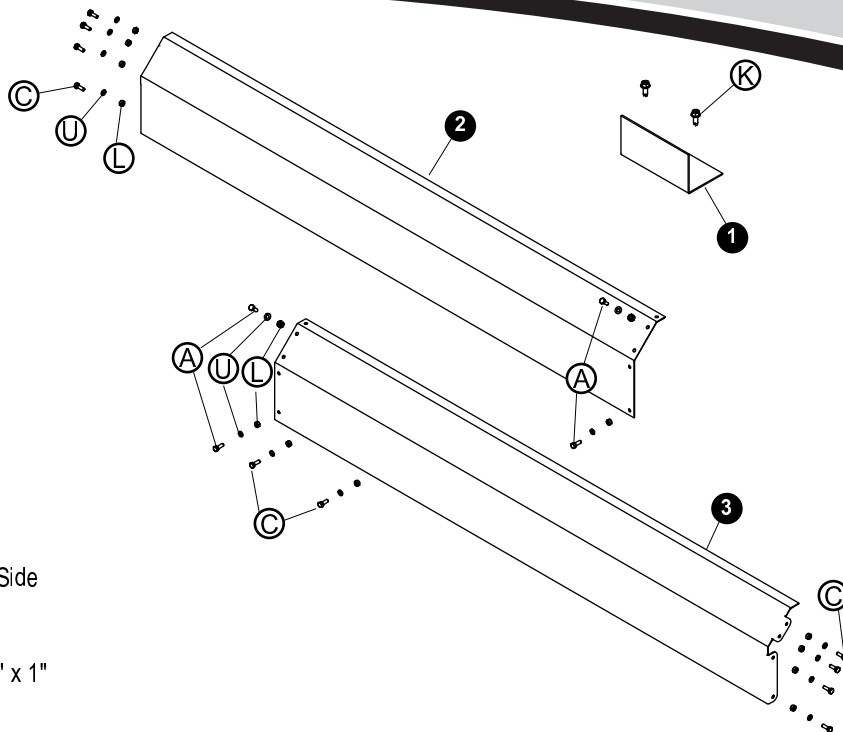


STEP 9: Adjust sprocket distance before tightening set screws. Outside of bracket to inside of sprocket must be 1 1/4".



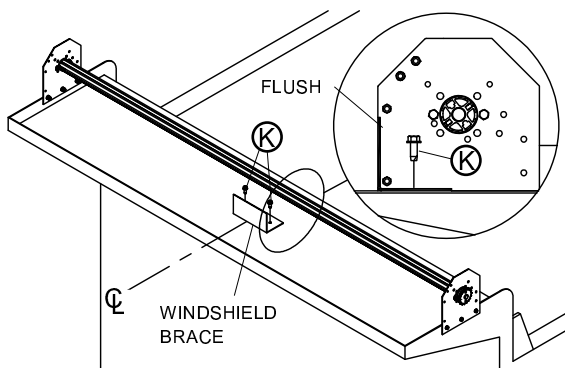
STEP 10: Tighten set screws on ball bearing and fasteners holding bearing flanges to brackets on both tarp axle brackets.



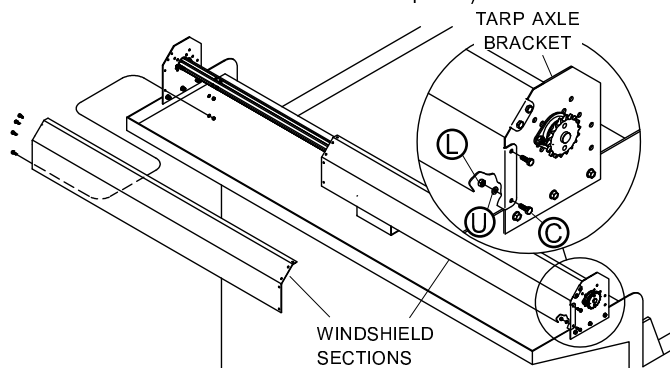


Item	Part #	Description
1.	1113835	Windshield Brace
2.	1117090	Windshield - Passenger Side
3.	1117089	Windshield - Driver Side
A.	1703960	Cap Screw - 1/4" x 1/2"
C.	1703959	Cap Screw - 1/4" x 3/4"
K.	1700400	Self-Tapping Screw - 3/8" x 1"
L.	1700408	Hex Nut - 1/4"
U.	1700436	Lock Washer - 1/4"

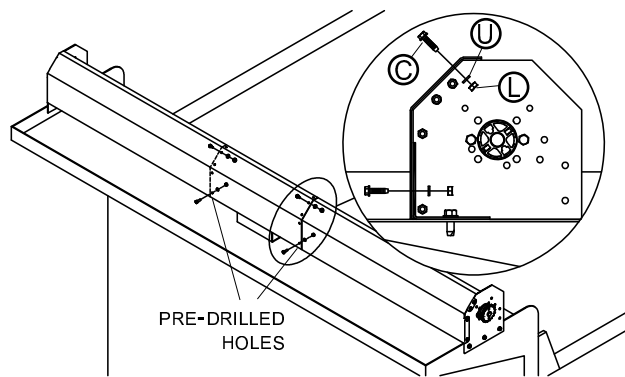
STEP 1: Place windshield brace on box, centered between tarp axle brackets and flush with front of brackets. Using brace as a guide, drill two 5/16" holes into box. Fasten brace to box with screws **K**.



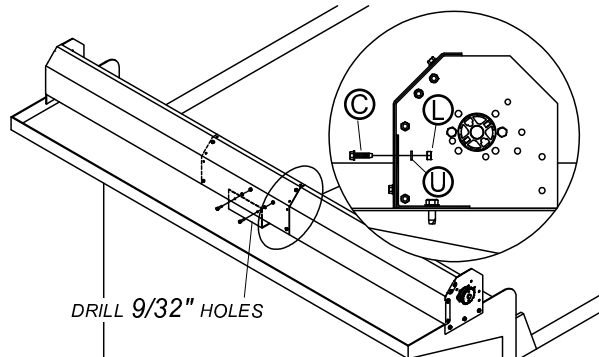
STEP 2: Fasten windshield sections to tarp axle brackets with screws **C**, washers **U** and nuts **L** (have an assistant hold windshield sections in place).

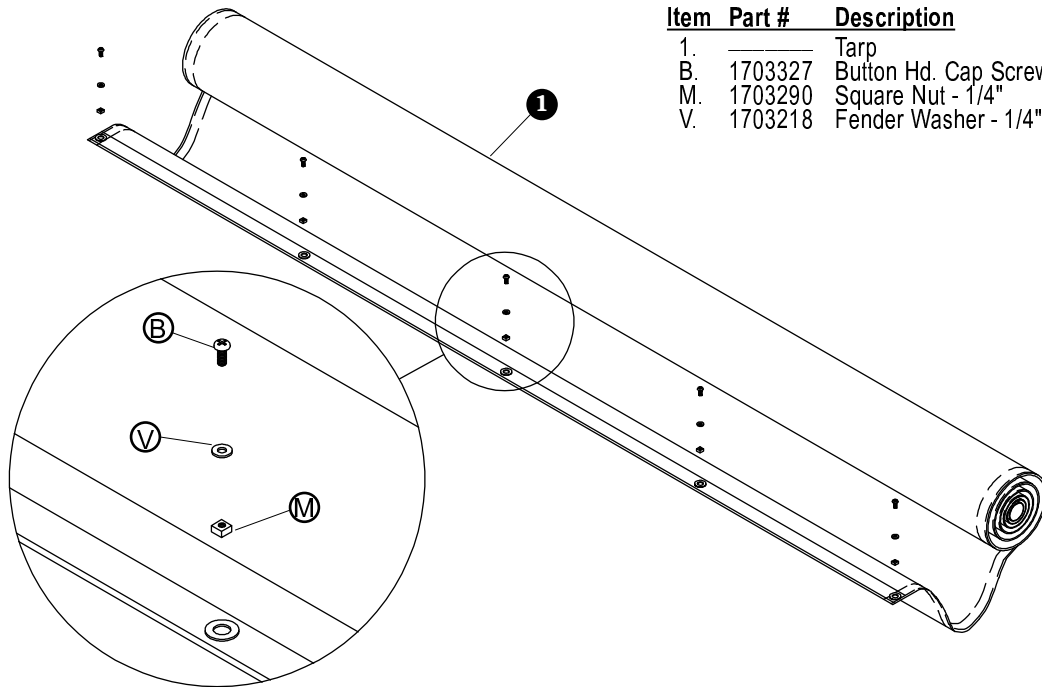


STEP 3: Clamp overlapped windshield sections together. Using holes in windshield as a guide, drill 9/32" holes through windshield sections and brace at locations shown (four places). Fasten windshield sections to brace with screws **C**, washers **U** and nuts **L**.



STEP 4: Drill 9/32" holes through windshield and brace. Fasten with screws **C**, washers **U** and nuts **L**.





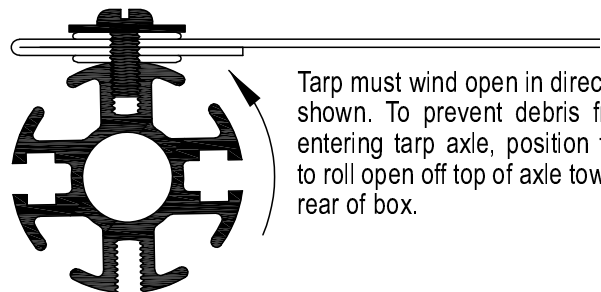
Item	Part #	Description
1.		Tarp
B.	1703327	Button Hd. Cap Screw - 1/4" x 5/8"
M.	1703290	Square Nut - 1/4"
V.	1703218	Fender Washer - 1/4" ID x 1" OD

Measure your tarp width and compare with tarp width ordered. If widths do not match, STOP installation process and call Shur-Co® for further instructions.

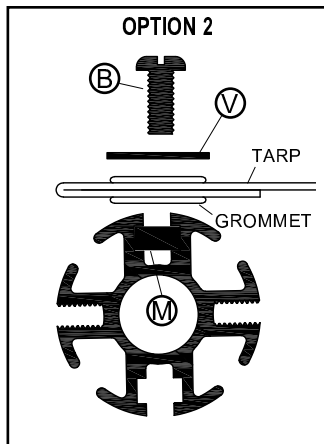
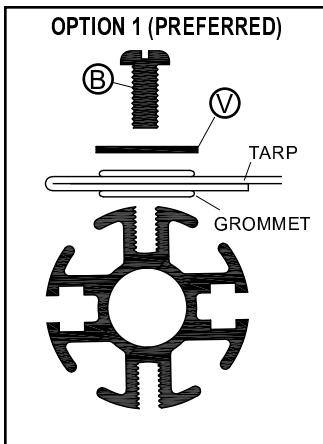
STEP 1: Lay front edge of tarp across tarp axle and center tarp with box (cab guard may be off center). Start at center and work toward edges, pulling tarp tight.

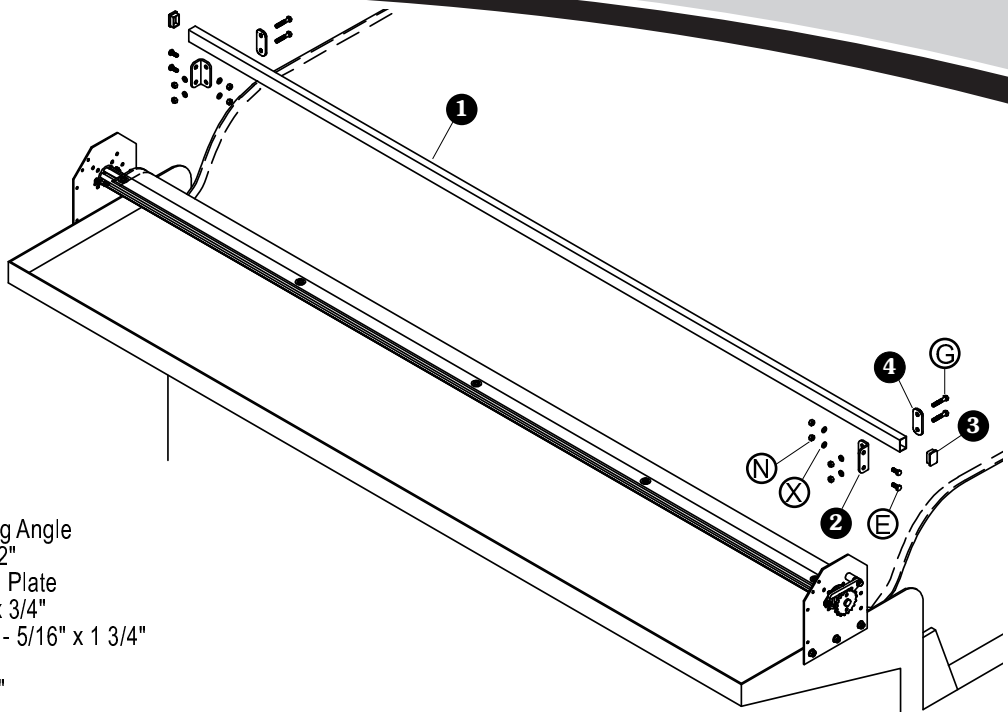
Option 1 (preferred) - Fasten screws **B** through washers **V** and grommets and into threaded groove.

Option 2 - Install nuts **M** into axle groove, then fasten screws **B** through washers **V**, grommets and nuts **M**.



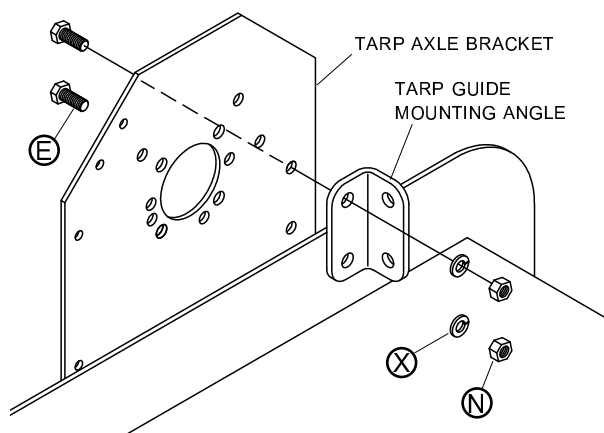
Tarp must wind open in direction shown. To prevent debris from entering tarp axle, position tarp to roll open off top of axle toward rear of box.





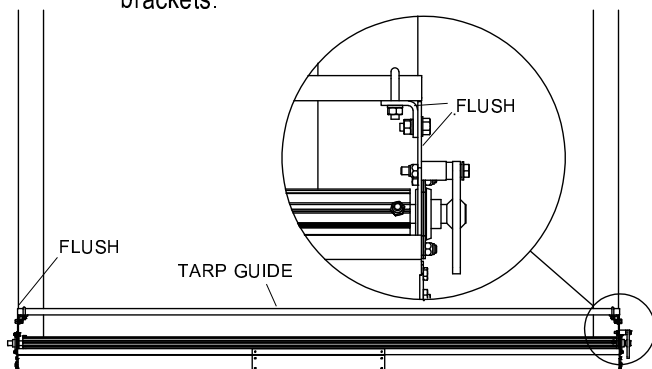
Item	Part #	Description
1.	1105238	Tarp Guide
2.	1115369	Tarp Guide Mounting Angle
3.	1701207	End Plug - 1" x 1 1/2"
4.	1125786	Tarp Tube Mounting Plate
E.	1701045	Cap Screw - 5/16" x 3/4"
G.	1701468	Self-Tapping Screw - 5/16" x 1 3/4"
N.	1700411	Hex Nut - 5/16"
X.	1700433	Lock Washer - 5/16"

STEP 1: Fasten tarp guide mounting angles to tarp axle brackets as shown with screws **E**, washers **X** and nuts **N**.

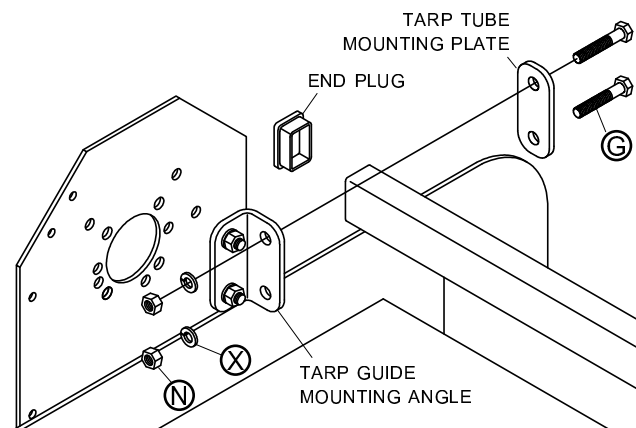


TARP & TARP AXLE NOT SHOWN FOR CLARITY

STEP 2: Cut tarp guide to fit flush with outside of tarp axle brackets.

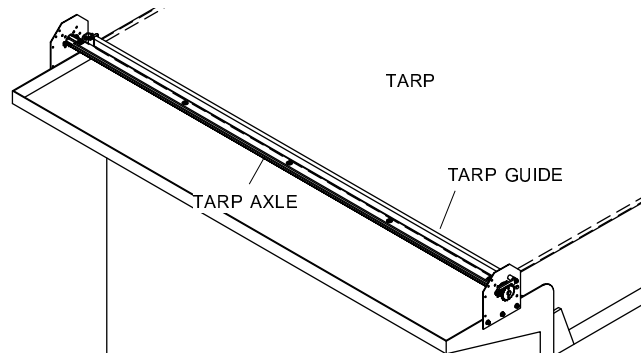


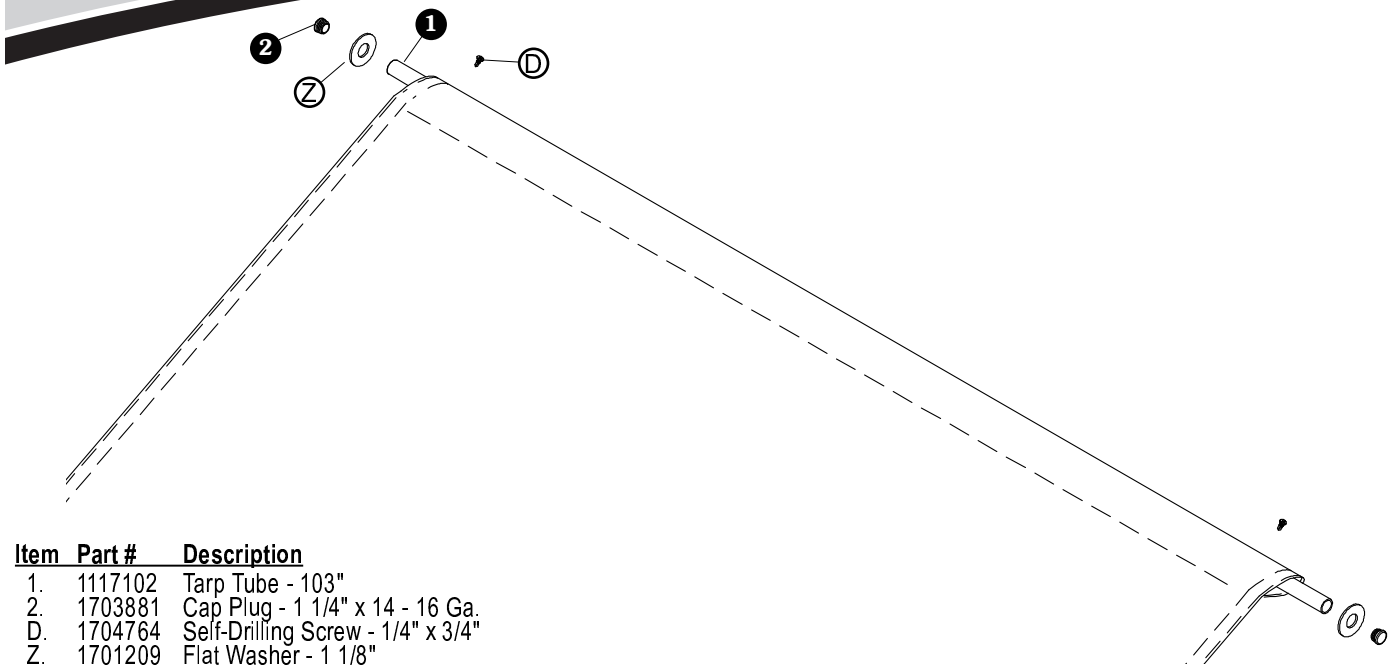
STEP 3: Fasten tarp guide to mounting angles with tarp tube mounting plates and screws **G**, washers **X** and nuts **N**. Insert end plugs into tarp guide.



TARP & TARP AXLE NOT SHOWN FOR CLARITY

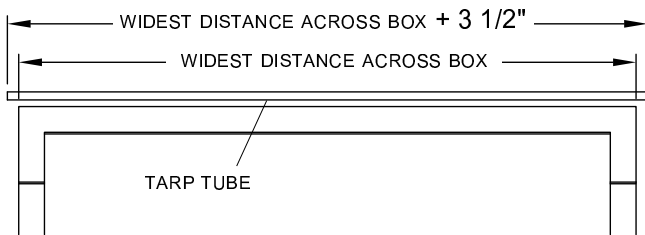
STEP 4: Feed tarp under tarp guide and over tarp axle as shown.



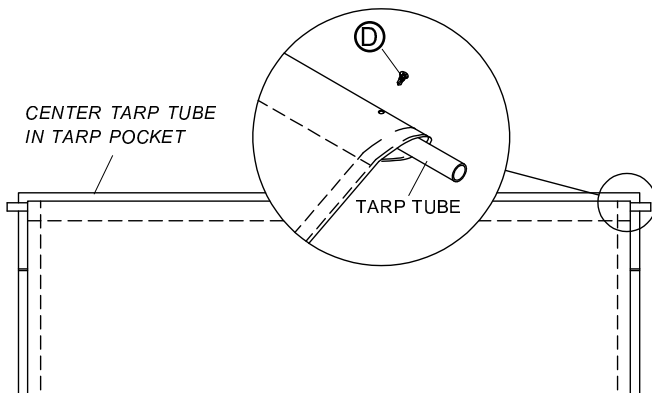


Item	Part #	Description
1.	1117102	Tarp Tube - 103"
2.	1703881	Cap Plug - 1 1/4" x 14 - 16 Ga.
D.	1704764	Self-Drilling Screw - 1/4" x 3/4"
Z.	1701209	Flat Washer - 1 1/8"

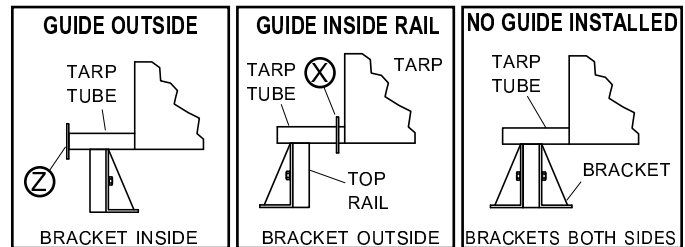
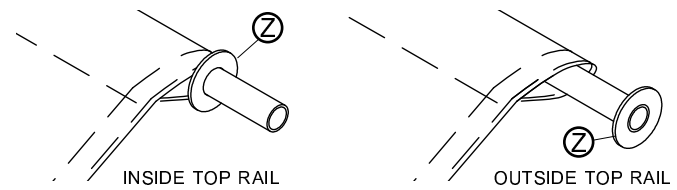
STEP 1: Cut tarp tube 3 1/2" longer than widest distance across box.



STEP 2: Center tarp tube in pocket. Fasten through tarp hem into tarp tube with screws **D**.

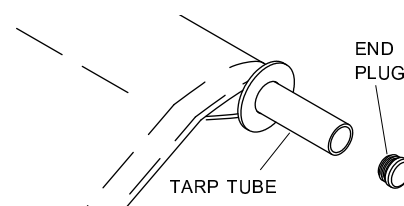


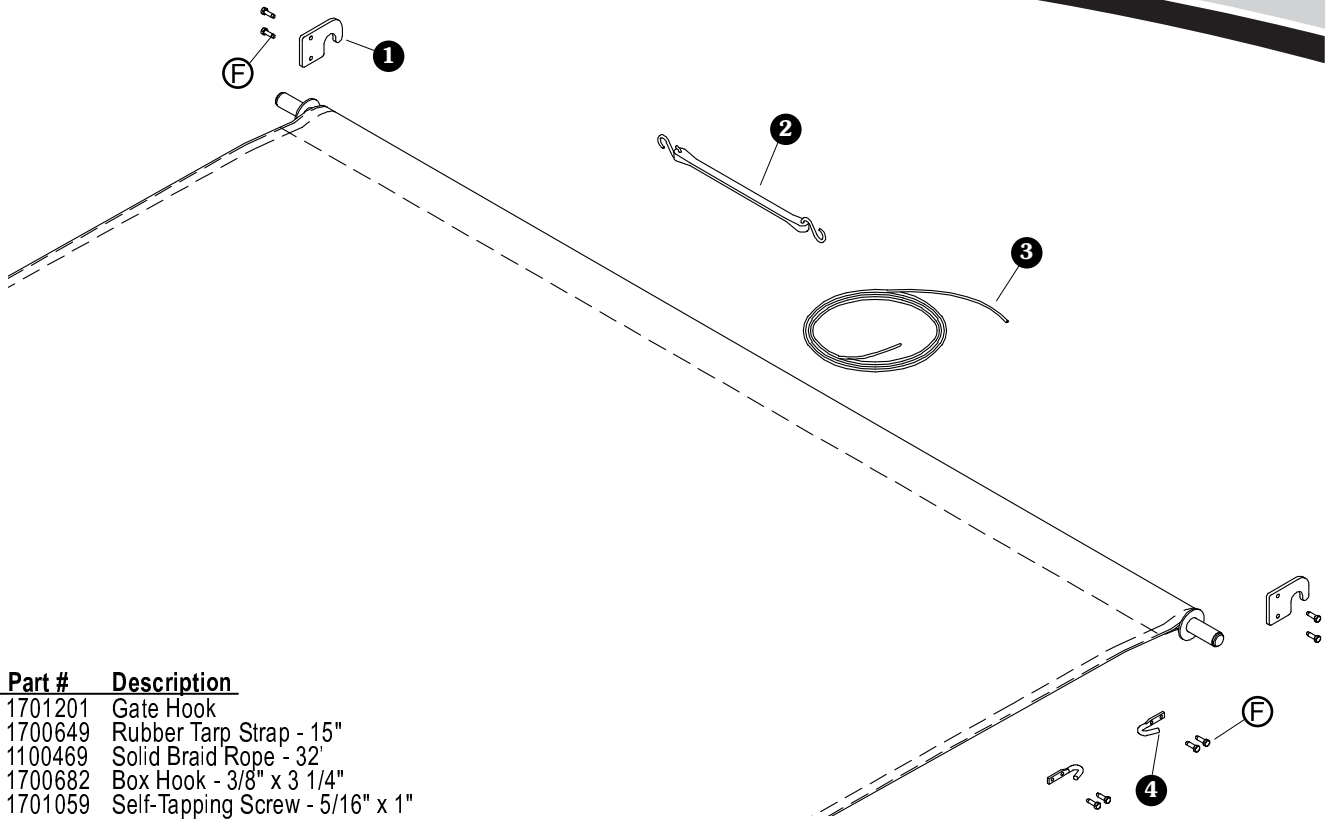
STEP 3: (optional) Weld tarp guides (1 1/8" flat washers) **Z** onto each end of tarp tube to help guide tarp across box. Tarp guides can be placed inside or outside top rail.



NOTE: Washers fit snugly over tarp tube and may need to be opened with a file or rotary tool in order to slide over tube.

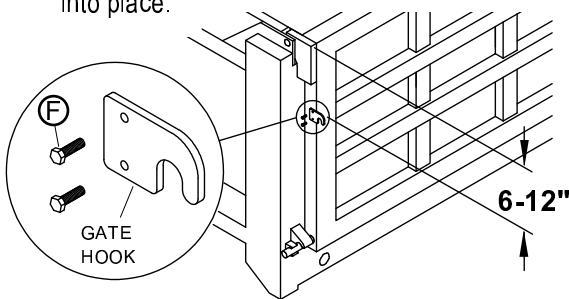
STEP 4: Install end plug into each end of tarp tube.



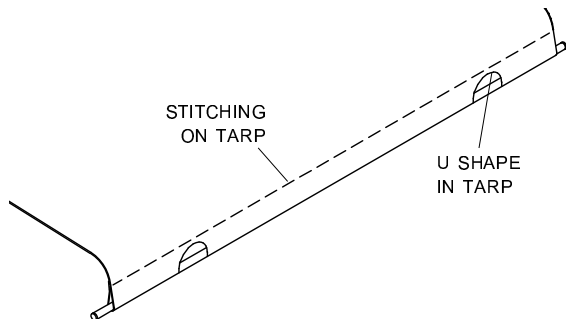


Item	Part #	Description
1.	1701201	Gate Hook
2.	1700649	Rubber Tarp Strap - 15"
3.	1100469	Solid Braid Rope - 32'
4.	1700682	Box Hook - 3/8" x 3 1/4"
F.	1701059	Self-Tapping Screw - 5/16" x 1"

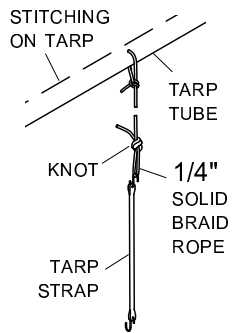
STEP 1: Gate hooks. Position gate hooks 6" to 12" below top of tailgate, outside path of tarp. Mark and drill 1/4" holes and secure with screws **F** or weld gate hooks into place.



NOTE - Alternate method. If gate hooks cannot be installed outside of the tarp's path, cut U shapes in the tarp to fit gate hooks. **DO NOT** cut stitching on tarp.

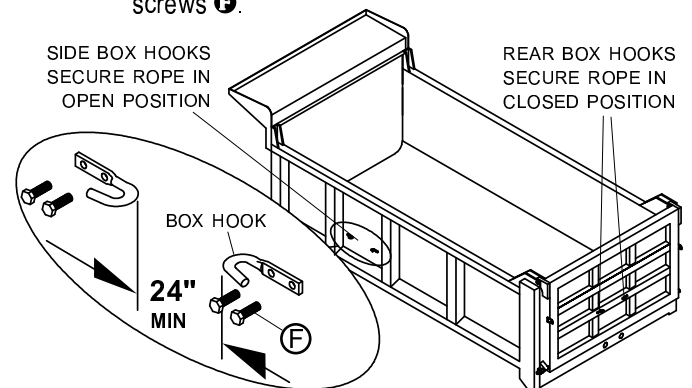


STEP 2: Rope return. Cut a small hole in center of tarp just above tarp tube. Wrap rope around tarp tube and secure with knot.

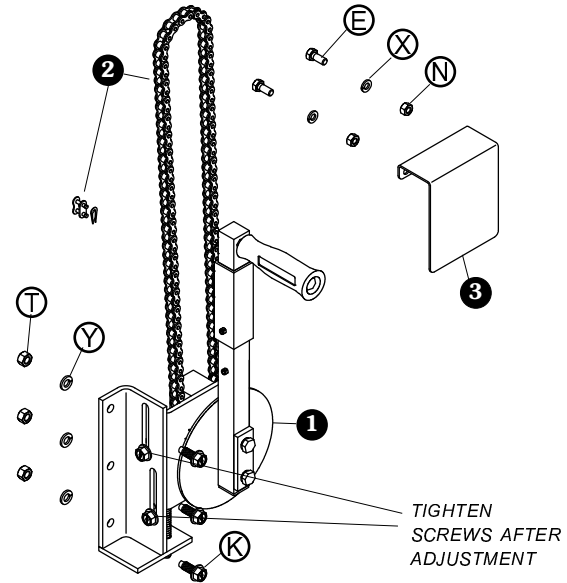


STEP 3: Cut rope so end is about 24" above ground. Knot end of rope and hook tarp strap through loop.

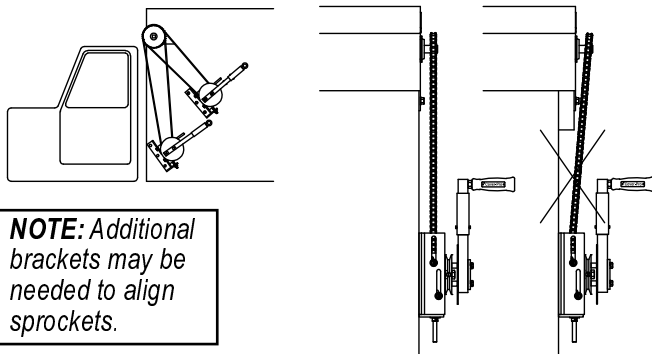
STEP 4: Install box hooks at rear and on side of box for rope storage. Place in convenient location, spacing at least 24" apart. Mark and drill 1/4" holes and fasten with screws **F**.



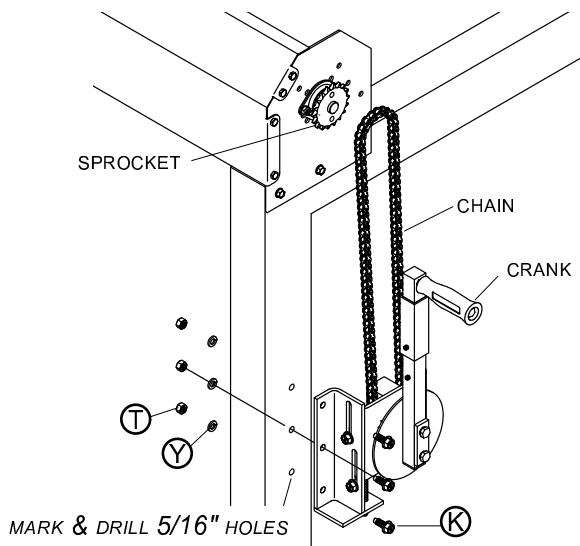
Item	Part #	Description
1.	1108939	Manual Chain Drive Crank Pre-Assembly
2.	1109179	Roller Chain/Link - 14'
3.	1117283	Chain Guard
E.	1701045	Cap Screw - 5/16" x 3/4"
K.	1700400	Self-Tapping Screw - 3/8" x 1"
N.	1700411	Hex Nut - 5/16"
T.	1700407	Hex Nut - 3/8"
X.	1700433	Lock Washer - 5/16"
Y.	1700434	Lock Washer - 3/8"



STEP 1: Determine mounting location for crank. Drive shaft sprocket and crank sprocket must line up to work properly.

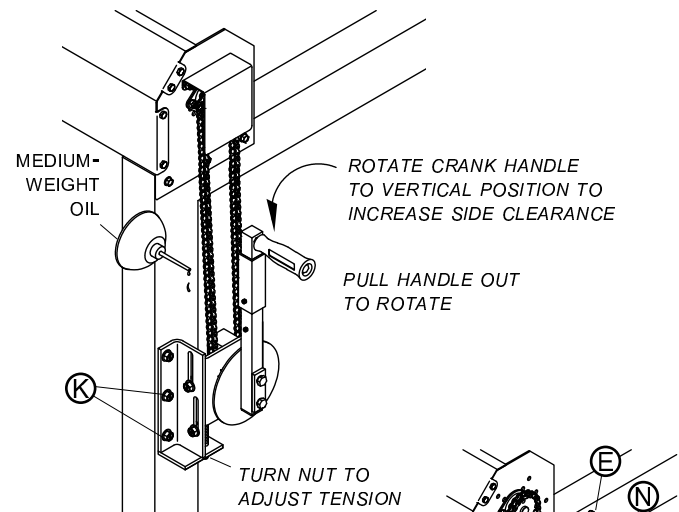


STEP 2: Using crank-mounting bracket as a guide, mark and drill 5/16" holes in box. Fasten with screws (K), washers (Y) and nuts (T).

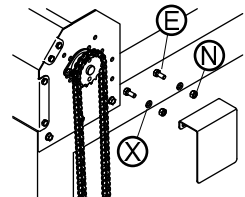


STEP 3: To determine chain length, wrap chain around both sprockets and pull crank assembly up until screws (E) are in middle of adjustment slots. Mark chain and remove excess links. Connect ends together with connector link.

STEP 4: Adjust chain tension by turning nut at bottom of mounting bracket. When chain can be deflected about 1", tighten screws (E).

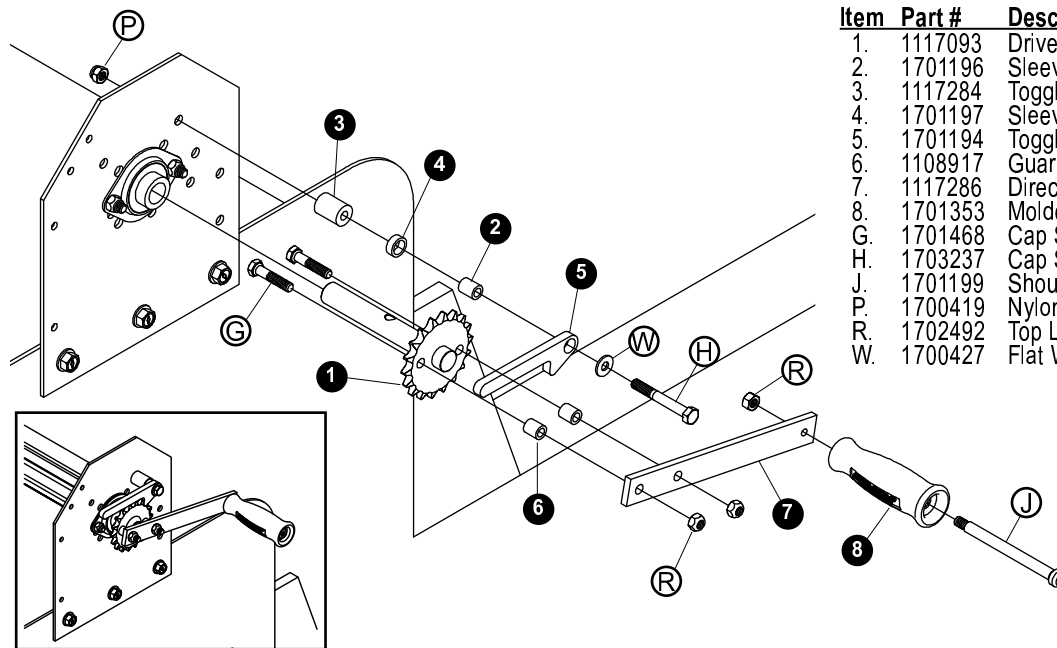


STEP 5: Fasten chain guard to tarp axle bracket with screws (E), washers (X) and nuts (N).



TO ROTATE HANDLE: Pull crank handle away from hub until handle can be rotated freely. When crank is not in use, rotate crank handle so that it is parallel to side of box.

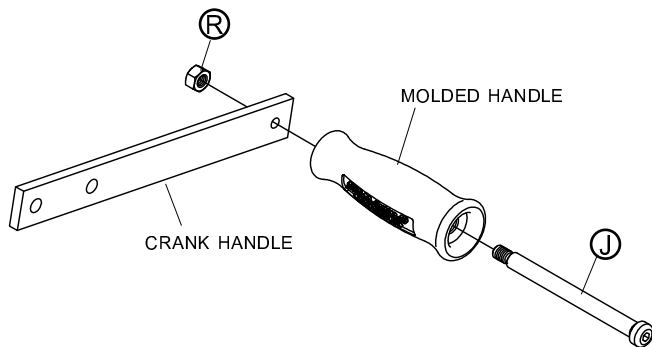
TO MAINTAIN: Lubricate drive chain with medium-weight oil to keep it moving freely.



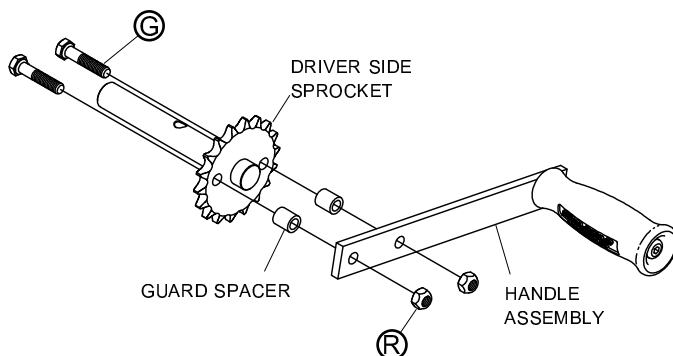
Item	Part #	Description
1.	1117093	Driver Side Sprocket
2.	1701196	Sleeve Bearing - 5/16" ID x 1/2" OD
3.	1117284	Toggle Spacer
4.	1701197	Sleeve Bearing - 1/2" ID x 11/16" OD
5.	1701194	Toggle
6.	1108917	Guard Spacer
7.	1117286	Direct Drive Crank Handle
8.	1701353	Molded Handle
G.	1701468	Cap Screw - 5/16" x 1 3/4"
H.	1703237	Cap Screw - 5/16" x 2 1/2"
J.	1701199	Shoulder Bolt - 5/16" Thd. x 4 1/2"
P.	1700419	Nylon Lock Nut - 5/16"
R.	1702492	Top Lock Nut - 5/16"
W.	1700427	Flat Washer - 1/4"

CRANK SHOWN ASSEMBLED

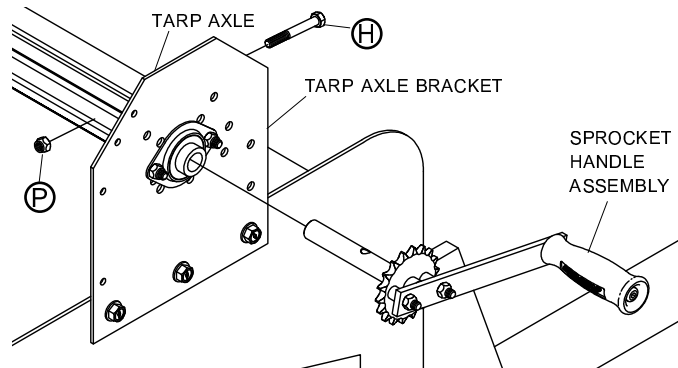
STEP 1: Assemble molded handle to crank handle with shoulder bolt **J** and nut **R**.



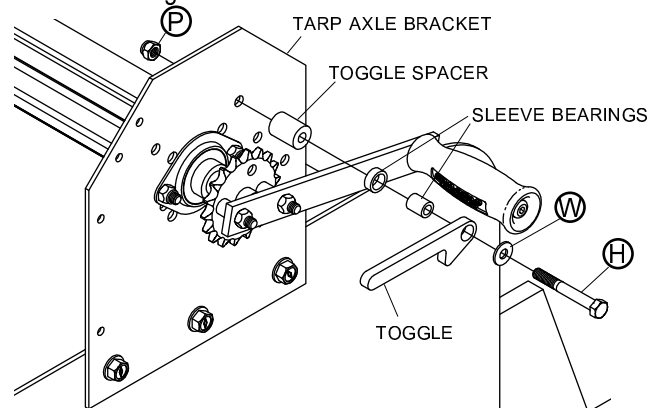
STEP 2: Assemble guard spacers and handle assembly to driver side sprocket with screws **G** and nuts **R**.



STEP 3: Assemble sprocket/handle assembly to tarp axle with screw **H** and nut **P** as shown on page 3, steps 7 to 9.

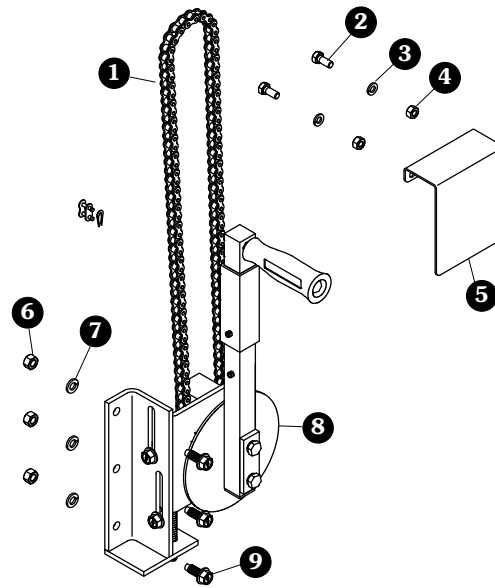


STEP 4: Assemble toggle, toggle spacer and sleeve bearings to tarp axle bracket with screw **H**, washer **W** and nut **P**. Tighten fasteners.



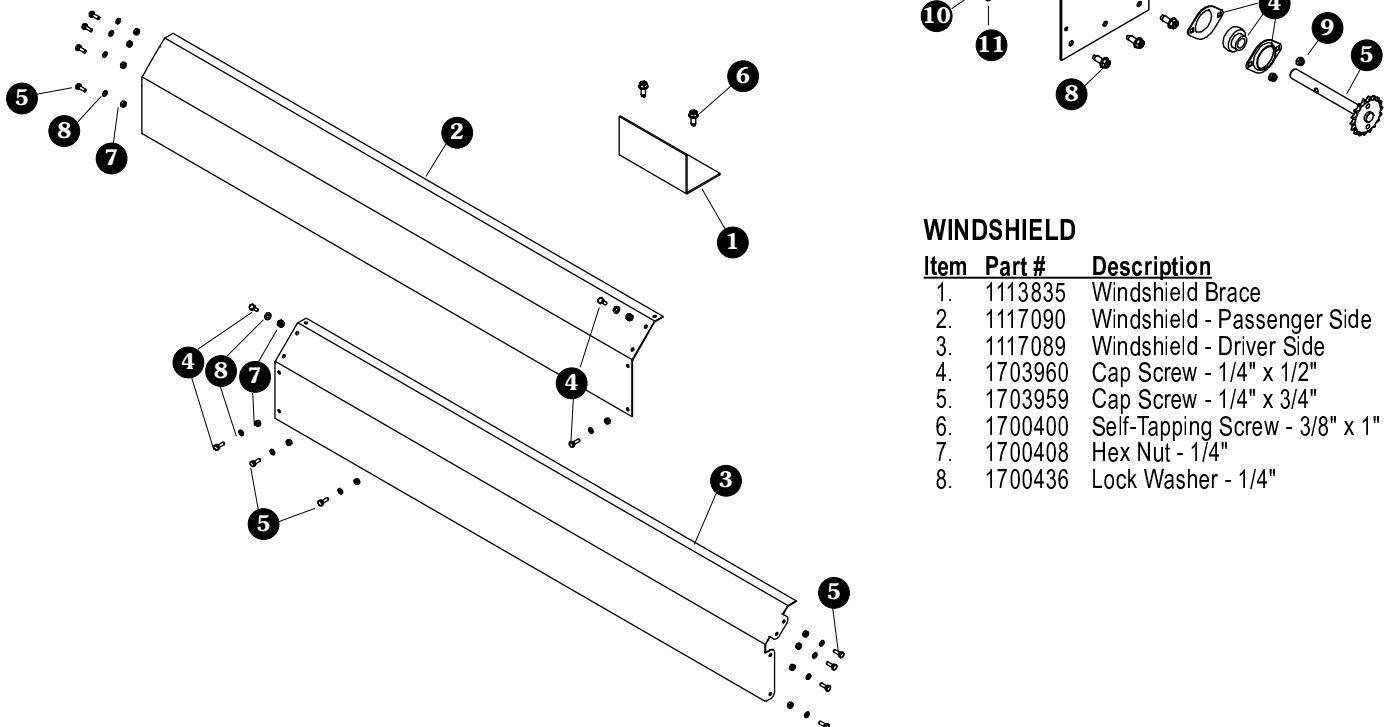
MANUAL CRANK

Item	Part #	Description
1.	1109179	Roller Chain/Link - 14'
2.	1701045	Cap Screw - 5/16" x 3/4"
3.	1700433	Lock Washer - 5/16"
4.	1700411	Hex Nut - 5/16"
5.	1117283	Chain Guard
6.	1700407	Hex Nut - 3/8"
7.	1700434	Lock Washer - 3/8"
8.	1108939	Manual Chain Drive Crank Pre-Assembly
9.	1700400	Self-Tapping Screw - 3/8" x 1"



FRONT DRIVE

Item	Part #	Description
1.	1114940	Tarp Axle Stub Shaft
2.	1117080	Tarp Axle Bracket
3.	1114961	Threaded Tarp Axle
4.	1703374	Radial Ball Bearing w/Flanges
5.	1117093	Driver Side Sprocket
6.	1701045	Cap Screw - 5/16" x 3/4"
7.	1703237	Cap Screw - 5/16" x 2 1/2"
8.	1700400	Self-Tapping Screw - 3/8" x 1"
9.	1700419	Nylon Lock Nut - 5/16"
10.	1700407	Hex Nut - 3/8"
11.	1700434	Lock Washer - 3/8"

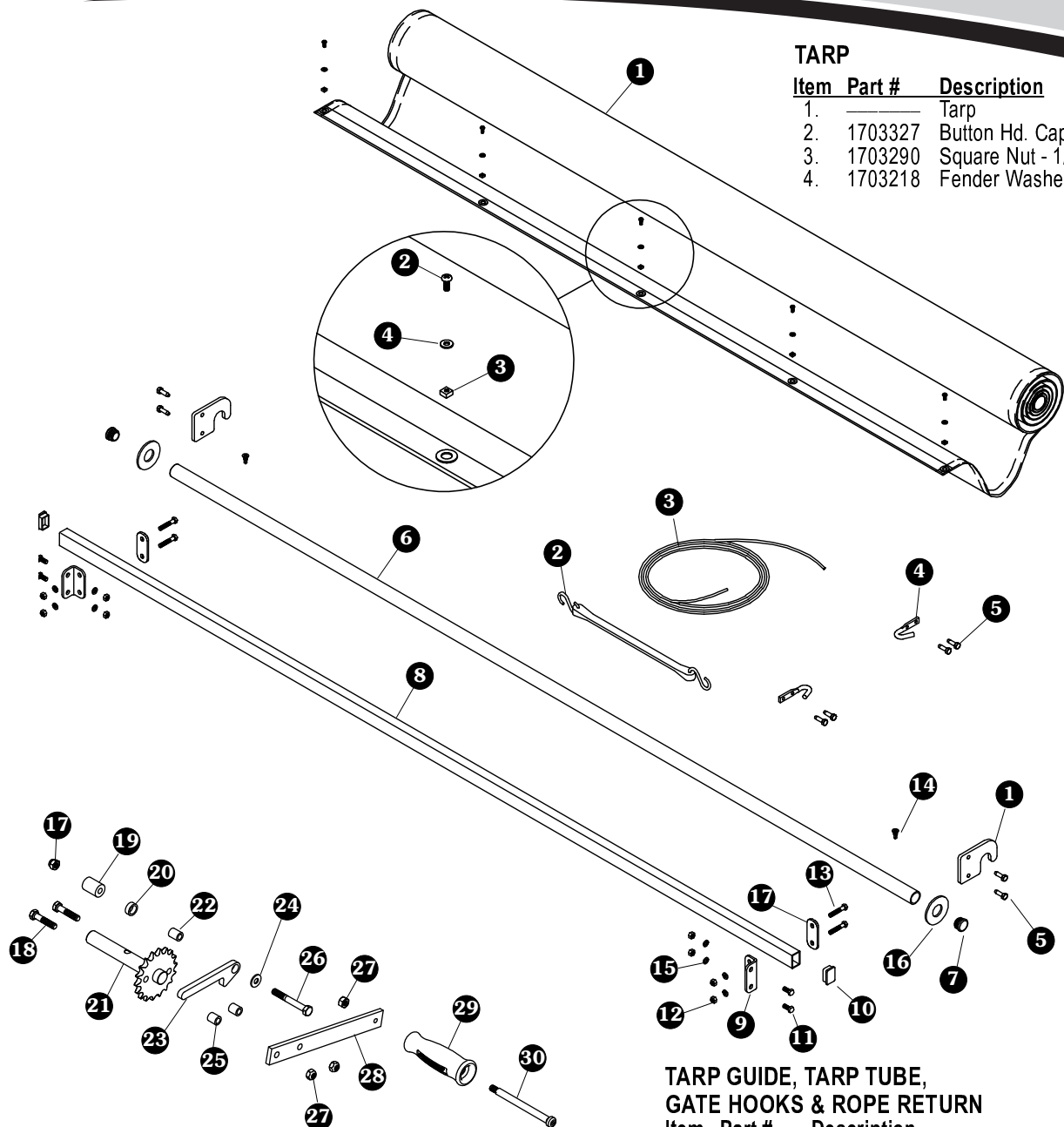


WINDSHIELD

Item	Part #	Description
1.	1113835	Windshield Brace
2.	1117090	Windshield - Passenger Side
3.	1117089	Windshield - Driver Side
4.	1703960	Cap Screw - 1/4" x 1/2"
5.	1703959	Cap Screw - 1/4" x 3/4"
6.	1700400	Self-Tapping Screw - 3/8" x 1"
7.	1700408	Hex Nut - 1/4"
8.	1700436	Lock Washer - 1/4"

TARP

Item	Part #	Description
1.		Tarp
2.	1703327	Button Hd. Cap Screw - 1/4" x 5/8"
3.	1703290	Square Nut - 1/4"
4.	1703218	Fender Washer - 1/4" ID x 1" OD



CRANK

Item	Part #	Description
17.	1700419	Nylon Lock Nut - 5/16"
18.	1701468	Cap Screw - 5/16" x 1 3/4"
19.	1117284	Toggle Spacer
20.	1701197	Sleeve Bearing - 1/2" ID x 11/16" OD
21.	1117093	Driver Side Sprocket
22.	1701196	Sleeve Bearing - 5/16" ID x 1/2" OD
23.	1701194	Toggle
24.	1700427	Flat Washer - 1/4"
25.	1108917	Guard Spacer
26.	1703237	Cap Screw - 5/16" x 2 1/2"
27.	1702492	Top Lock Nut - 5/16"
28.	1117286	Direct-Drive Crank Handle
29.	1701353	Molded Handle
30.	1701199	Shoulder Bolt - 5/16" Thd. x 4 1/2"

TARP GUIDE, TARP TUBE, GATE HOOKS & ROPE RETURN

Item	Part #	Description
1.	1701201	Gate Hook
2.	1700649	Rubber Tarp Strap - 15"
3.	1100469	Solid Braid Rope - 32'
4.	1700682	Box Hook - 3/8" x 3 1/4"
5.	1701059	Self-Tapping Screw - 5/16" x 1"
6.	1117102	Tarp Tube - 103"
7.	1703881	Cap Plug - 1 1/4" x 14 to 16 Ga.
8.	1105238	Tarp Guide
9.	1115369	Tarp Guide Mounting Angle
10.	1701207	End Plug - 1" x 1 1/2"
11.	1701045	Cap Screw - 5/16" x 3/4"
12.	1700411	Hex Nut - 5/16"
13.	1701468	Cap Screw - 5/16" x 1 3/4"
14.	1704764	Self-Drilling Screw - 1/4" x 3/4"
15.	1700433	Lock Washer - 5/16"
16.	1701209	Flat Washer - 1 1/8"
17.	1125786	Tarp Tube Mounting Plate

MORE QUALITY PRODUCTS FROM SHUR-CO®

- **Genuine Replacement Tarps**
- **Genuine Replacement Parts**

- **Agriculture Products**
 - Value Series Shur-Lok®
 - Super Duty Shur-Lok®
 - Shur-Lok® Junior
 - Premium Belt 'n Ratchet
 - Cable-Lok™
 - Turning Point™ Bow

- **SMARTrailer™ Accessories for Agriculture Products**
 - SMART2™ Remote
 - SMART1 +™ Remote
 - 4500 Series HD Electric
 - AutoTrap™ Hopper Opener
 - ProTrap® Hopper Opener
 - LiteALL™ Work Lights
 - Cable-Lok™ Electric Upgrade
 - Electric Turning Point™ Bow
 - Value Series Electric
 - Solar Power Pack

- **Flatbed Products**
 - ShurTite™ Retractable Tarps
 - Stock Lumber & Steel Tarps
 - Steel Tarps

- **Custom Products**
 - Fitted Truck Covers
 - Flat Utility Tarps
 - Bean Drill Covers
 - Shur-Lok® Tarp Cords

- **Construction Products**
 - Super Duty Shur-Lok®
 - Shur-Trak II™
 - Cover-Pro II®
 - Turning Point™ Bow
 - IronSide™ Side-Dump System
 - Arm-Matic™
 - DuraPull™
 - Econo-Pull™
 - Turbo Tarp2™
 - 2000 Series
 - 5000 Series
 - Hammer™
 - Bullet™
 - Flash™
 - Long Arm™

- **SMARTrailer™ Accessories for Construction Products**
 - 4500 Series HD Electric w/Gate Flex™
 - Shur-Trak II™ Electric Upgrade
 - Cover-Pro II® Electric Upgrade
 - Electric Turning Point™ Bow
 - Solar Power Pack

- **Waste Products**
 - The Ox™
 - Quick-Flip III™
 - Sidewinder™
 - Sidewinder™ 350
 - HyTower™ SL
 - HyTower™ DL
 - Double-Flip™

TARPING SYSTEMS & ACCESSORIES

