



ENGINEERED TARPING SOLUTIONS

P/N 1123776 Rev. A

INSTALLATION INSTRUCTIONS

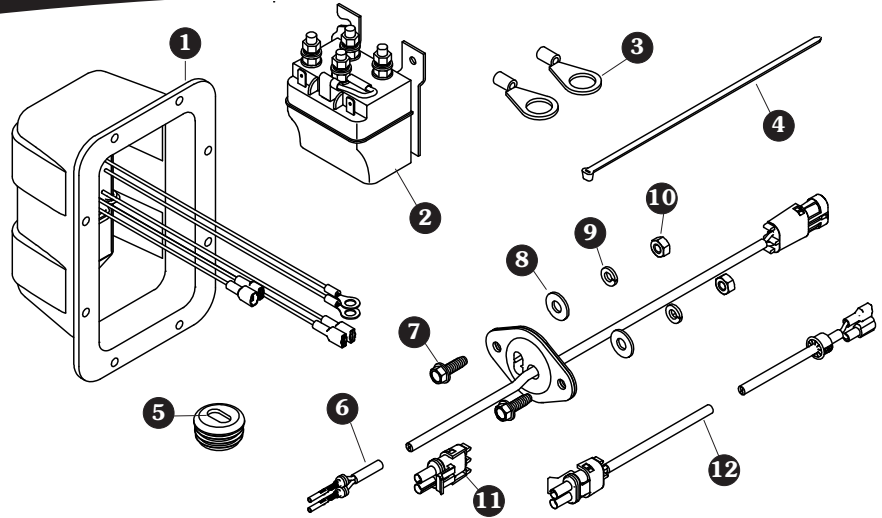
4500 Series Conversion to SMART1+™

READ BEFORE INSTALLING

PO BOX 713 ■ 2309 SHUR-LOK STREET ■ YANKTON, SD 57078-0713
PHONE 1-800-4-SHUR-LOK (1-800-474-8756) ■ FAX 605-665-0501
www.shurco.com

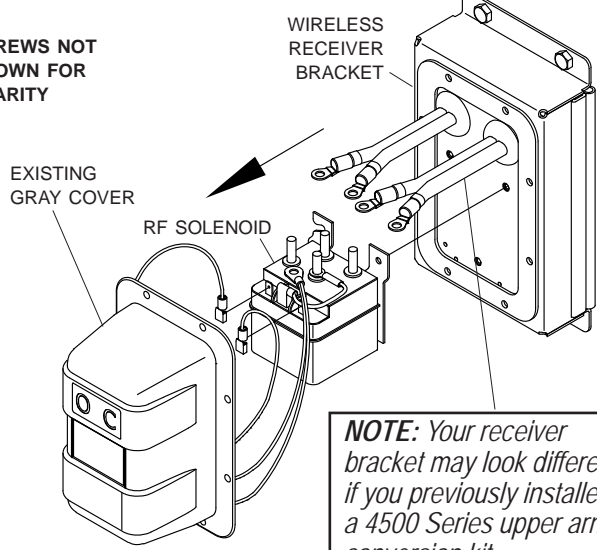
SHOP ONLINE: www.shopshurco.com

Item	Part #	Description
1.	1123400	Solenoid Cover Assembly - 4500 Series SMART1+™
2.	1704312	Motor-Reversing Solenoid - 3-Pt. Mt.
3.	1702707	Ring Terminal - 6 Ga. x 1/4" Stud
4.	1703231	Cable Tie - 8"
5.	1703882	Cap Plug w/Hole
6.	1122210	Encoder Wire Assembly - 10'
7.	1700403	Self-Tapping Screw - 1/4" x 3/4"
8.	1700427	Flat Washer - 1/4"
9.	1700436	Lock Washer - 1/4"
10.	1700408	Hex Nut - 1/4"
11.	1704798	Connector Half - Weather Pack
12.	1121641	Receiver Encoder Wire - 6'



STEP 1: Disconnect power to receiver. Remove existing gray cover and RF solenoid from receiver bracket.

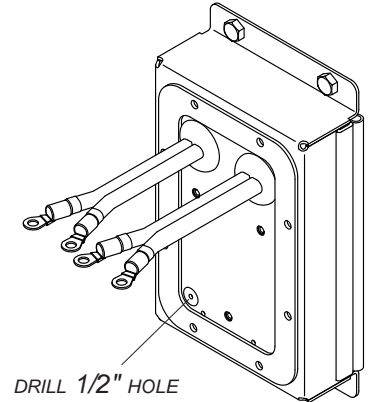
SCREWS NOT SHOWN FOR CLARITY



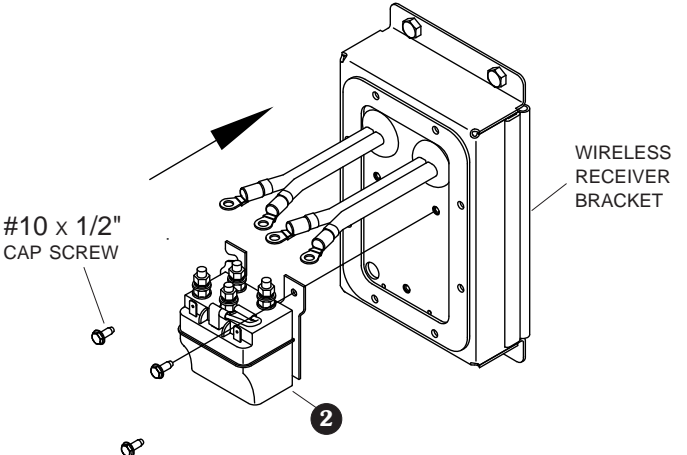
NOTE: Your receiver bracket may look different if you previously installed a 4500 Series upper arm conversion kit.

STEP 2: Using pilot hole in receiver bracket as guide, drill 1/2" hole in bracket.

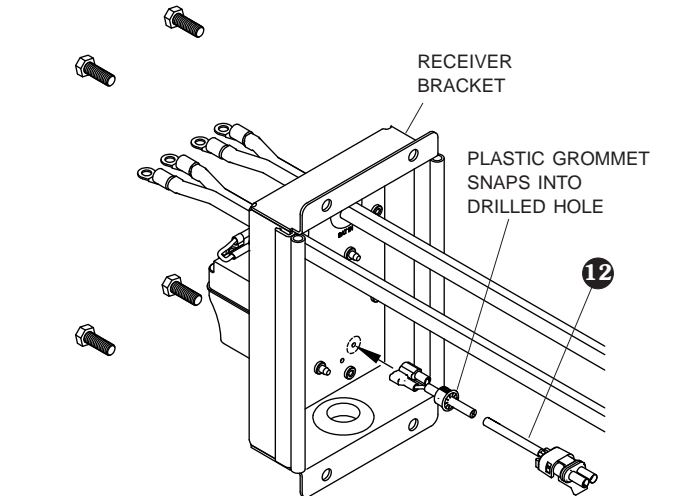
NOTE: If your receiver bracket does not have a pilot hole, measure 1 5/16" from both bottom edge and left side edge of receiver bracket and mark hole location for drilling.



STEP 3: Install solenoid 2 onto wireless receiver bracket. Fasten with #10 x 1/2" cap screws.

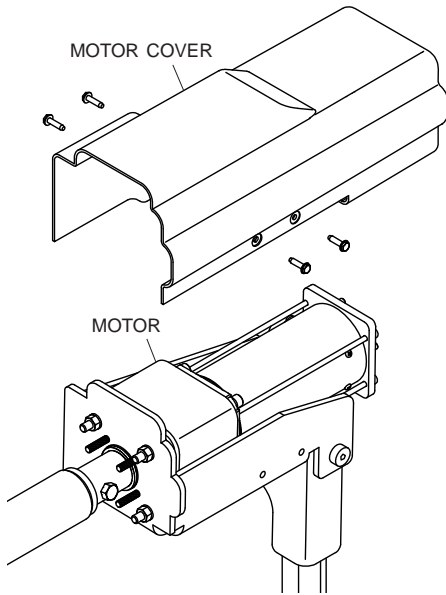


STEP 4: Remove receiver bracket from trailer and install encoder wire 12 through drilled hole from back side of bracket. Feed one connector at a time through drilled hole.



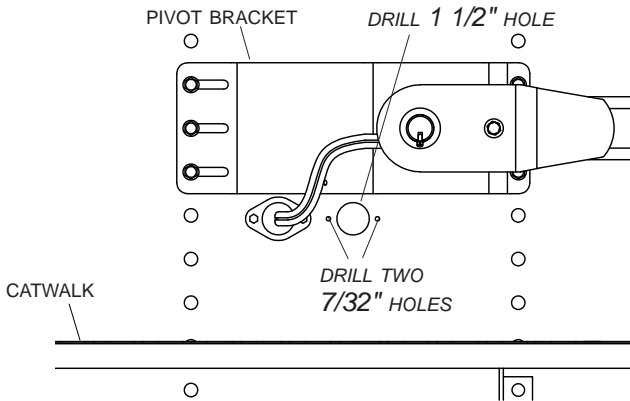
Install encoder wire up arm to motor.
OPTION 1: Route encoder wire along outside of arm.

STEP A: Unfasten and remove motor cover.



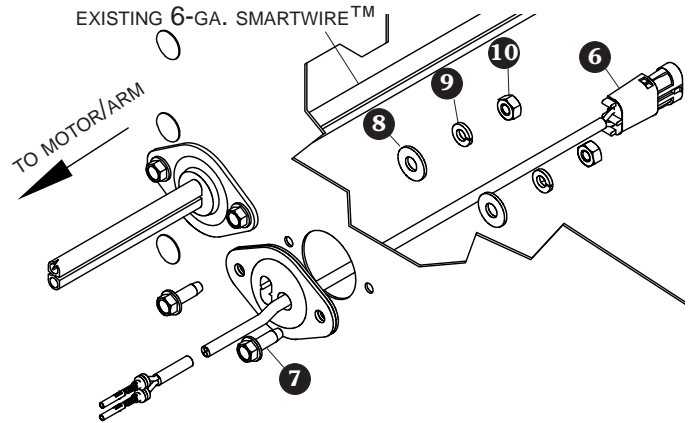
NOTE: Wire lengths are predetermined. Before installing SMARTwire™ components, review and confirm wire routing so wires will reach components with ample room for connection.

STEP B: Locate second wiring plate next to existing wiring plate. Mark and drill 1 1/2" hole through trailer skin.

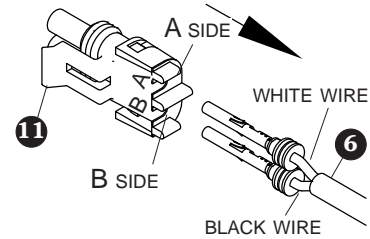


STEP C: Align new wiring plate of encoder wire assembly 6 with 1 1/2" hole. Using wiring plate as guide, mark and drill two 7/32" holes as shown.

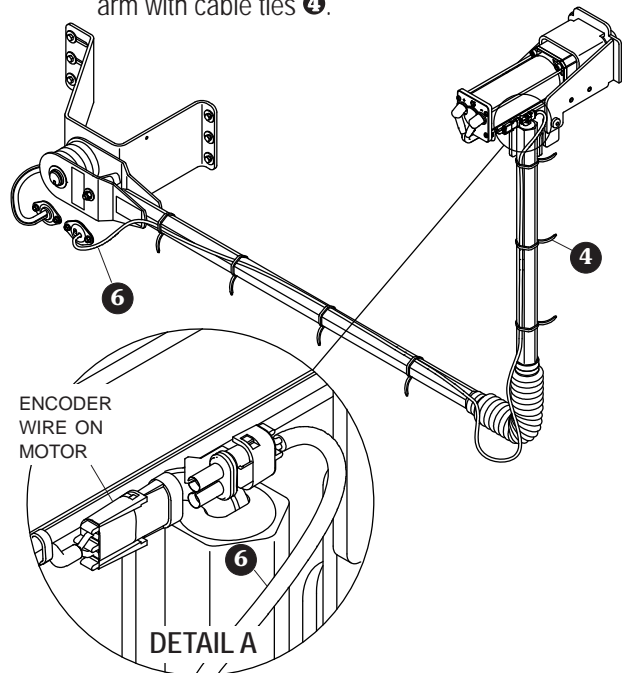
STEP D: Fasten encoder wire assembly 6 to front of trailer with screws 7, flat washers 8, lock washers 9 and nuts 10.



STEP E: Fasten weather pack connector 11 to end of encoder wire 6, connecting side A to white wire and side B to black wire.



STEP F: Run encoder wire 6 up outside of arm and secure to arm with cable ties 4.



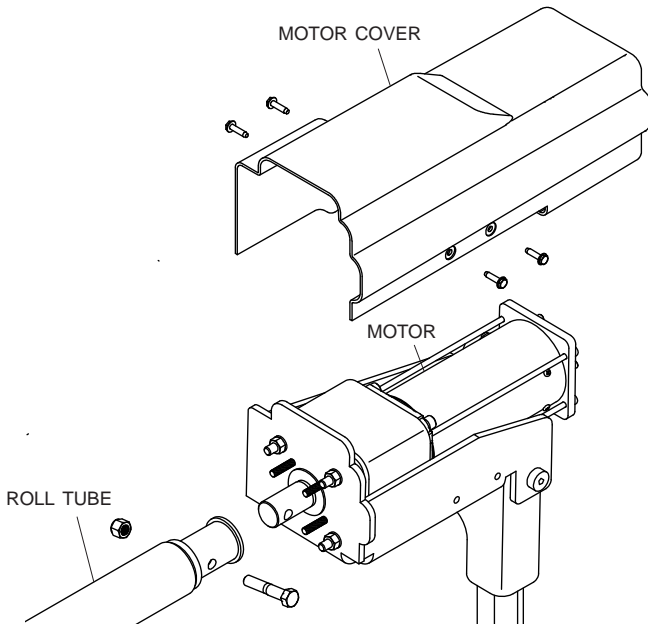
STEP G: Plug encoder wire 6 into encoder wire on motor. See detail A. Reinstall motor cover. Go to step 5.

Install encoder wire up arm to motor.

OPTION 2: Route encoder wire through inside of arm.

STEP A: Unfasten and remove motor cover. Disconnect motor from roll tube. Gently set arm and motor on ground.

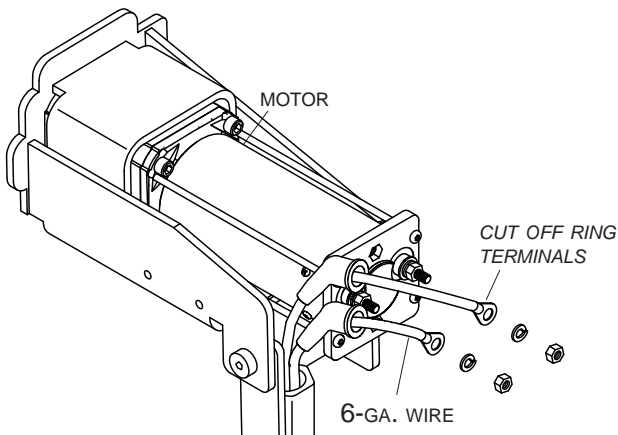
NOTE: Requires two people for safe installation.



WARNING

Flex arms are under tension while torsion springs are engaged. Use caution while assembling and disassembling arms. Failure to read and follow instructions could result in serious injury or death.

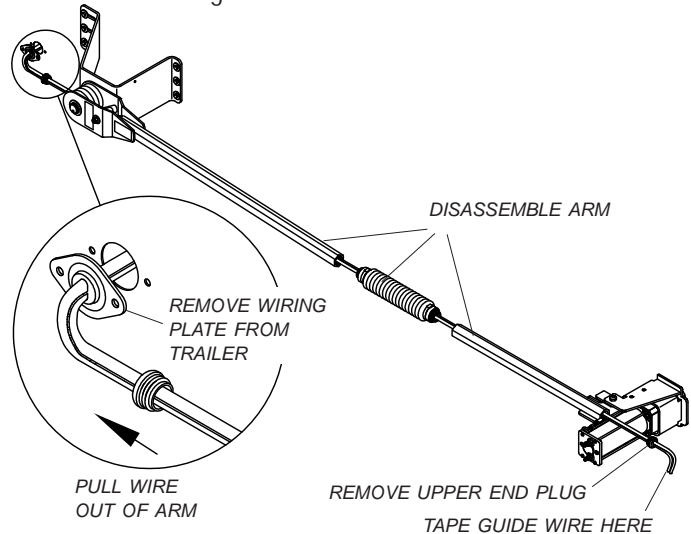
STEP B: Unfasten and disconnect 6-ga. wire from motor. Cut off and remove ring terminals.



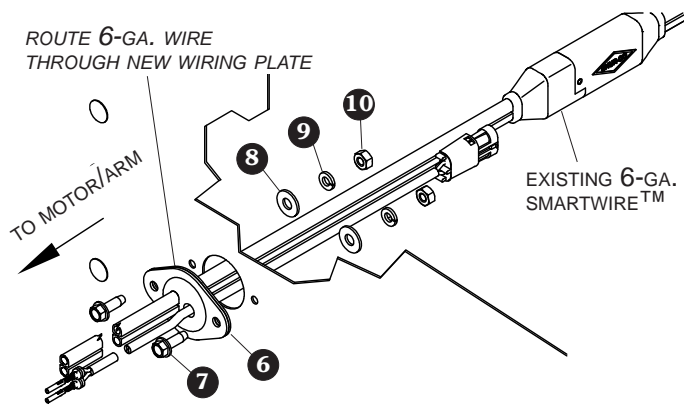
STEP C: Straighten arm. Disassemble upper arm and elbow by unscrewing upper arm and elbow.

STEP D: Remove existing wiring plate from trailer.

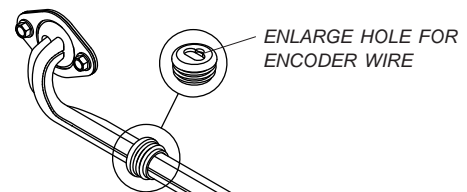
STEP E: Remove upper end plug from top of upper arm. Connect guide wire to blunt end of 6-ga. wire with electrical tape. Pull 6-ga. wire out of arm from pivot side. Remove tape holding guide wire to 6-ga. wire. Leave guide wire inside arm sections.



STEP F: Remove lower end plug and wiring plate from existing 6-ga. SMARTwire™. Discard wiring plate. Route blunt end of 6-ga. wire through wiring plate in new encoder wire assembly 6. Fasten wiring plate 6 to existing holes in front of trailer with screws 7, flat washers 8, lock washers 9 and nuts 10.

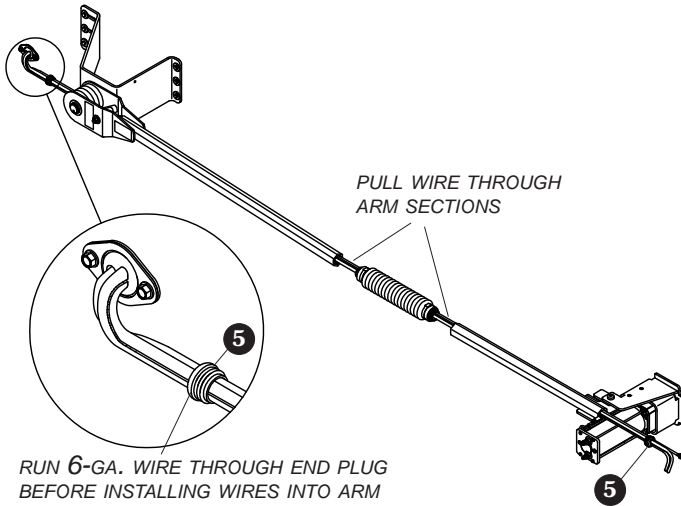


STEP G: Use drill or snips to enlarge hole in end plugs 5 so encoder wire will fit through hole along with 6-ga. wire. Run 6-ga. wire and encoder wire through hole.

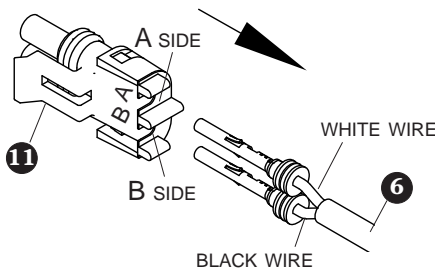


Install encoder wire up arm to motor (continued)
OPTION 2: (continued)

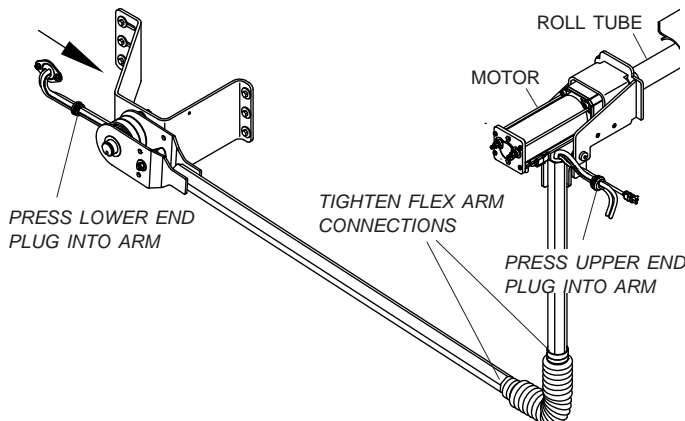
STEP H: Re-tape 6-ga. wire to guide wire. Using guide wire, pull 6-ga. wire and encoder wire through inside of arm sections. Remove guide wire. Run wires through upper end plug 5.



STEP I: Fasten weather pack connector 11 to end on encoder wire 6, connecting side A to white wire and side B to black wire.

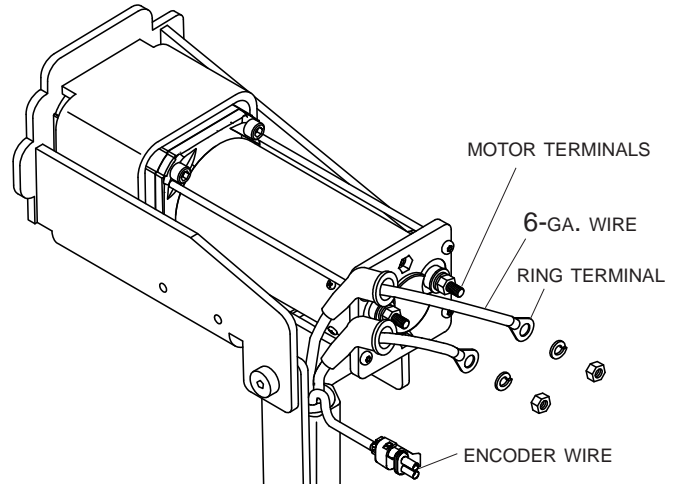
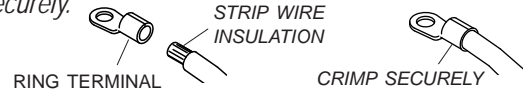


STEP J: Reassemble arm and tighten flex arm connections. Reassemble motor onto roll tube. Press upper and lower end plugs into arm.

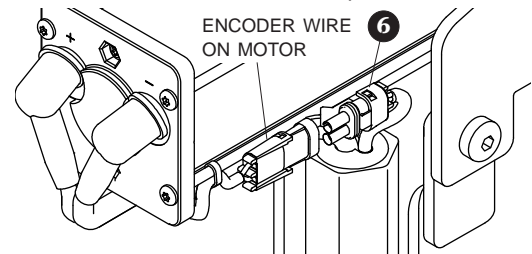


STEP K: Crimp ring terminals 3 on end of 6-ga. wire and fasten ring terminals to motor terminals. Slide boots over studs.

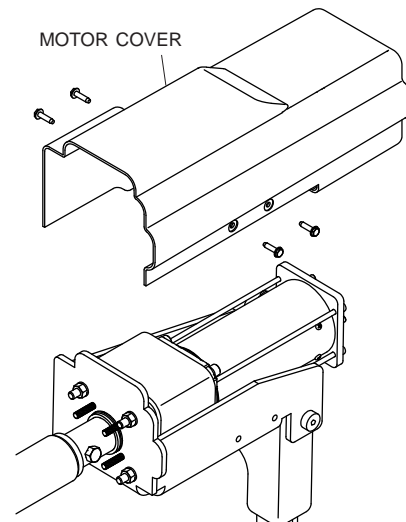
NOTE: Cut wires to length and strip only enough wire insulation to install ring terminals. Insert bare wire into ring terminals and crimp securely.



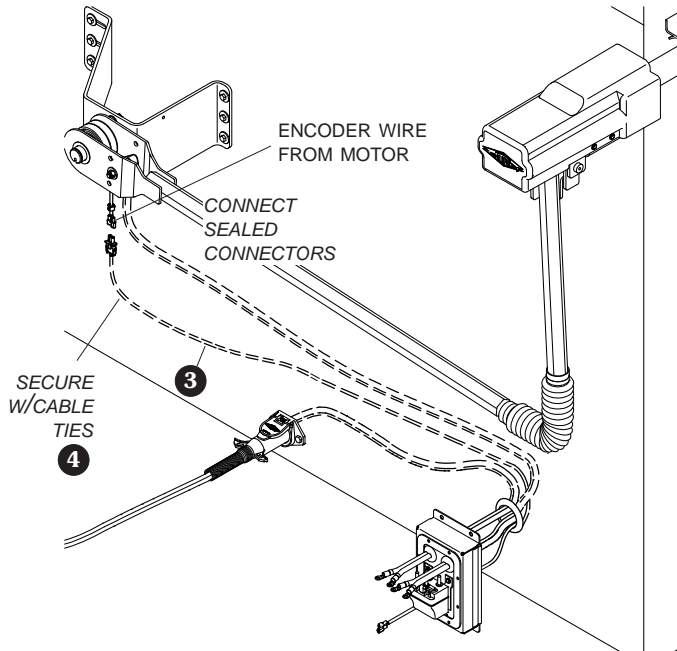
STEP L: Plug encoder wire 6 into encoder wire on motor. Secure with cable tie 4 to prevent wire damage.



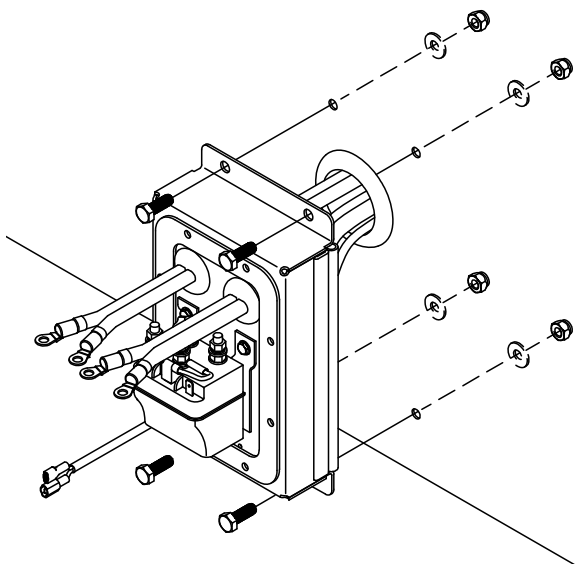
STEP M: Reinstall motor cover. Go to step 5.



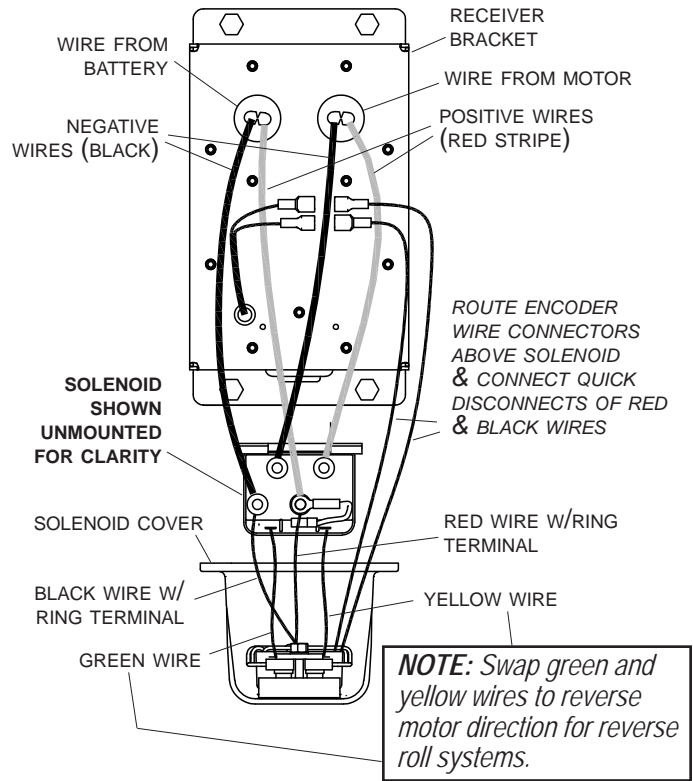
STEP 5: Route encoder wire ③ from receiver to encoder wire from motor and connect sealed connectors together. Secure cable with cable ties ④.



STEP 6: Re-mount receiver bracket to trailer.

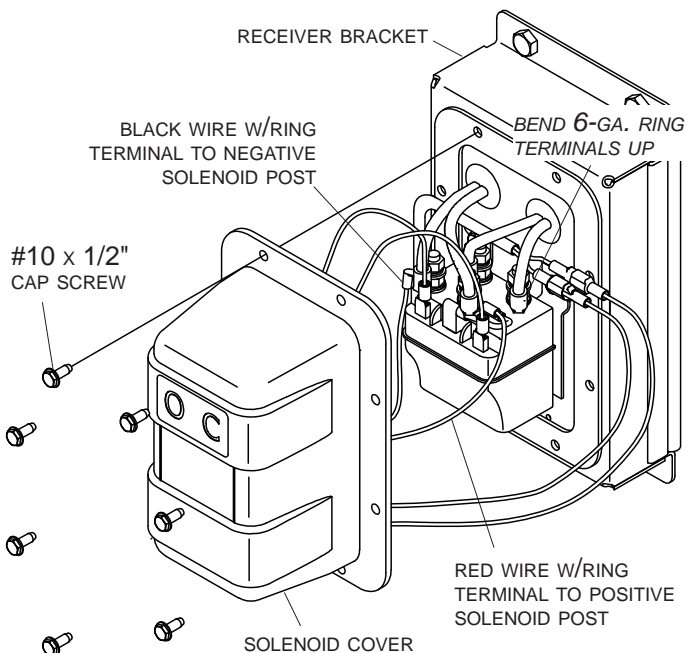


STEP 7: Connect wires from receiver bracket to solenoid and from gray solenoid cover to solenoid as shown below.



STEP 8: Reconnect power to receiver. Pair (introduce) SMART1+™ remote to receiver as shown in remote instructions (P/N 1123159) and verify operation.

STEP 9: Replace solenoid cover and secure with #10 x 1/2" cap screws.



MORE QUALITY PRODUCTS FROM SHUR-CO®

- Genuine Replacement Tarps
- Genuine Replacement Parts

- Agriculture Products
 - Value Series Shur-Lok®
 - Super Duty Shur-Lok®
 - Shur-Lok® Junior
 - Premium Belt 'n Ratchet
 - Cable-Lok™
 - Turning Point™ Bow System

- SMARTrailer™ Accessories for Agriculture Products
 - SMART2™ Remote
 - SMART1 +™ Remote
 - SMARTransmitter®
 - Shur-Link Pro™
 - 4500 Series HD Electric
 - ProTrap® Hopper Opener
 - LiteALL™ Work Lights
 - Cable-Lok™ Electric Upgrade
 - Electric Turning Point™ Bow System
 - Value Series Electric
 - Solar Power Pack

- Flatbed Products
 - ShurTite™ Retractable Tarps
 - Lumber Tarps
 - Steel Tarps
 - Coil Tarps
 - Cargo Control

- Construction Products
 - Super Duty Shur-Lok®
 - Premium Belt 'n Ratchet
 - Shur-Trak II™
 - Cover-Pro II®
 - UltraSteel Econo-Pull
 - UltraSteel Arm - Basic
 - UltraSteel Arm - Premium
 - Arm-Matic™
 - Turning Point™ Bow System
 - IronSide™ Side Arm System
 - DuraPull™ Tarp System

- SMARTrailer™ Accessories for Construction Products
 - SMARTransmitter®
 - 4500 Series HD Electric w/Gate Flex™
 - Shur-Trak II™ Electric Upgrade
 - Cover-Pro II® Electric Upgrade
 - Electric Turning Point™ Bow System
 - Solar Power Pack

- Custom Products
 - Fitted Truck Covers
 - Flat Utility Tarps
 - Bean Drill Covers
 - Hopper Extension Covers
 - Auger Boots
 - Shur-Lok® Tarp Cords

ENGINEERED TARPING SOLUTIONS

