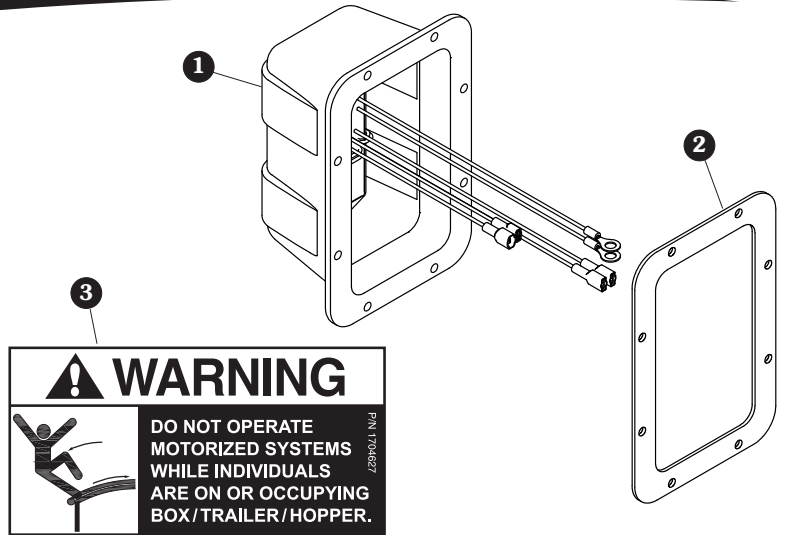
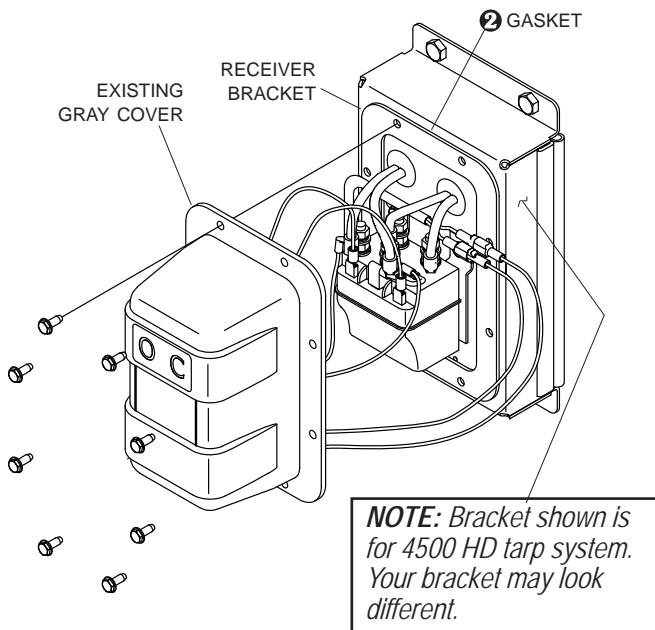


Item	Part #	Description
	1122955	Replacement Solenoid Cover w/Gasket - 4500 HD Series SMART2™
	1123082	Replacement Solenoid Cover w/Gasket - ProTrap® SMART2™
	1124233	Replacement Solenoid Cover w/Gasket - MaxxTrap™ SMART2™
	1123775	Replacement Solenoid Cover w/Gasket - AutoTrap™ SMART2™
1.	_____	Replacement Solenoid & Cover Assembly
2.	1704309	Solenoid Cover Gasket
3.	1704627	Warning Decal



**STEP 1:** Disconnect power to receiver. Remove existing gray cover from receiver bracket. Make note of wire connections. Disconnect all wires.



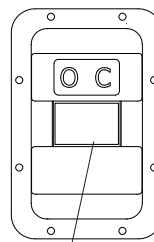
**STEP 2:** Replace gasket ②.

**STEP 3:** Replace warning decal ③ on trailer if missing or damaged. Decal should be placed adjacent to solenoid cover and where visible to operator.

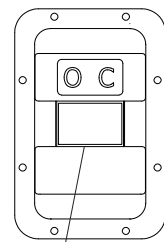
**STEP 4:** If you have a SMART2™ remote, delete all devices from remote that are having their covers removed from trailer. From SETUP MENU, select DELETE DEVICE, then select device(s) to delete.

**STEP 5:** Verify replacement solenoid cover is correct type before installing, especially if installing multiple covers on trailer.

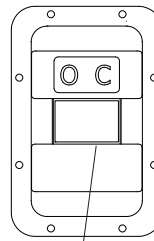
4500 HD TARP SYSTEMS



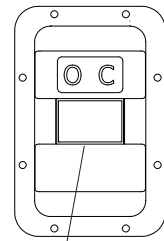
PROTRAP® HOPPER SYSTEMS



MAXXTRAP™ HOPPER SYSTEMS

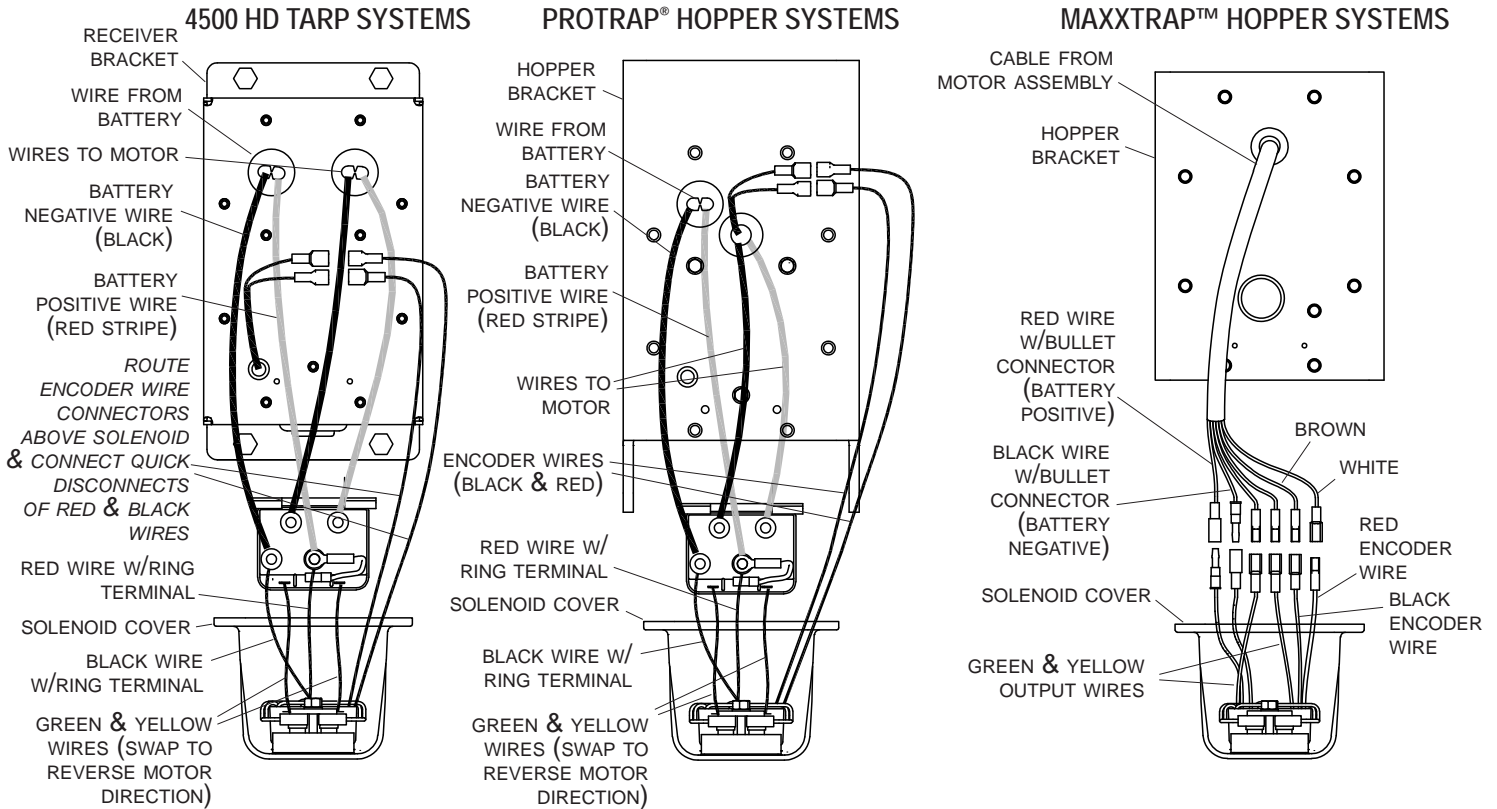


AUTOTRAP™ HOPPER SYSTEMS



STEP 6: Connect wires from replacement solenoid cover in same manner as previous cover.

**NOTE:** Solenoids are shown unmounted for clarity.



STEP 7: Reconnect power to receiver. Pair (introduce) SMART2™ remote to receiver as shown in remote instructions (P/N 1122198) and verify operation.

Procedure summary - pair device to remote:

STEP 7A: On remote, go to SETUP MENU, then select ADD DEVICE. Remote will now display WAITING.... Set remote down.

STEP 7B: Look inside receiver cover. Locate blue programming button next to red light. Red light should be flashing if power is connected correctly. Press and hold blue button for approximately five seconds. Release after light starts flashing again.

STEP 7C: Take remote. Remote should display DEVICE FOUND. Press SELECT to add device. Rename device at this time or press SELECT to accept default name. You can then set stops or press SELECT to skip.

**NOTE:** Refer to remote instructions to set travel stops and rename device. Also see instructions for options such as setting a default device and changing default operating mode (momentary or express) for devices.

STEP 8: Replace solenoid cover and secure with #10 cap screws.

