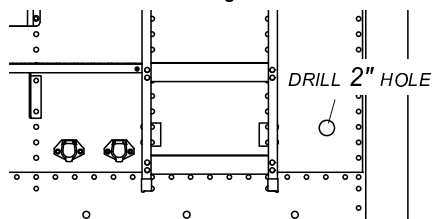
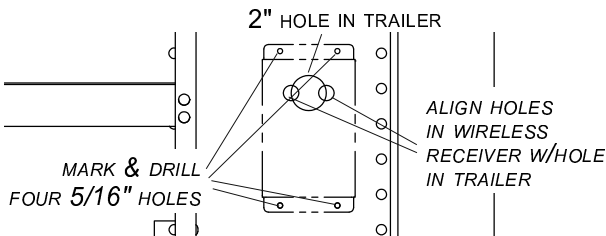


NOTE: In order to clear travel area of front arm, locate Shur-Co® wireless receiver as low as possible on front of trailer.

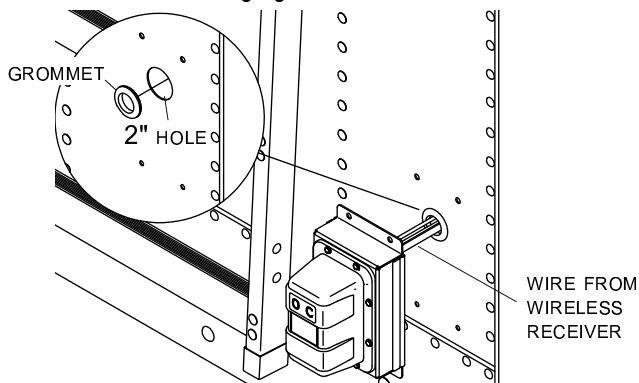
STEP 1: Determine location and drill 2" hole through trailer skin.



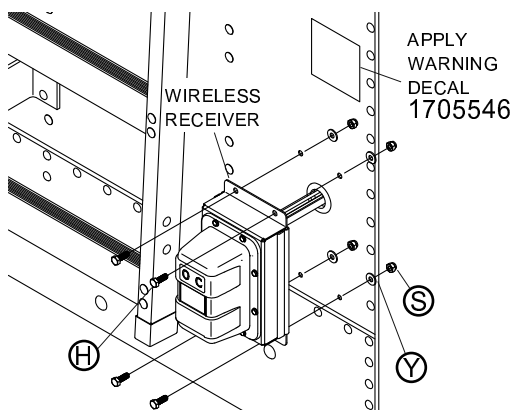
STEP 2: Align holes in wireless receiver over 2" hole in trailer as shown below. Using holes on flanges on receiver as guide, mark and drill four 5/16" holes as shown.



STEP 3: Install grommet into 2" hole. Insert wire from wireless receiver through grommet.

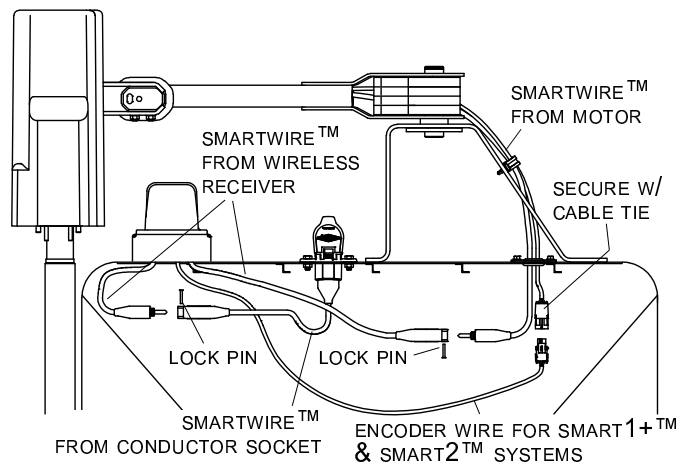


STEP 4: Align holes on wireless receiver with holes on trailer. Fasten receiver to trailer with 5/16" x 7/8" cap screws, lock washers and nuts. Adhere warning decal P/N 1705546 above receiver in location shown.



WIRING SCHEMATIC

STEP 1: Connect SMARTwire™ from wireless receiver to SMARTwire™ from electric motor. Connect SMARTwire™ plug from wireless receiver to SMARTwire™ from dual-conductor socket. Secure connections with lock pins. If you have a SMART1+ or SMART2™ system, connect encoder wire from receiver to encoder wire from motor. Secure wires to trailer with cable clips and screws. If needed, use cable ties.



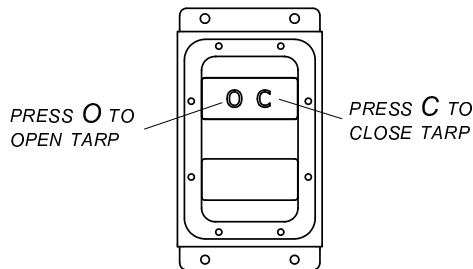
NOTE: Coat each connection with dielectric grease (P/N 1704378) to prevent corrosion.

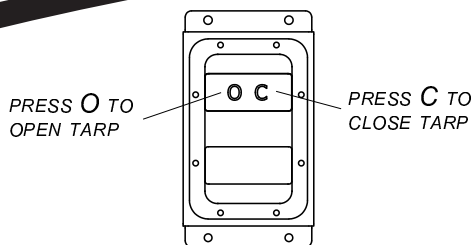
CAUTION

Check all hardware for complete assembly before operating. Inspect system at this time and adjust as required.

NOTE: Receiver may be pressure washed, but keep nozzle at least 3' from system while spraying.

STEP 2: Check motor direction by pressing either button. If button is released and operation continues, system is in Express Mode. To stop operation, press button again. If switch is running system backwards, program remote to wireless receiver and rewire as directed in troubleshooting guide in remote instructions.



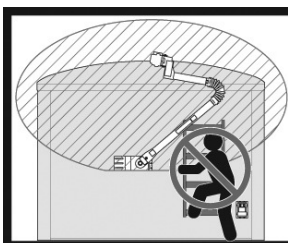


NOTE: 4500 Series HD trailer-mounted control boxes now operate in **EXPRESS MODE**, for both SMART1+™ and SMART2™ remote systems. Pressing the O or C button on the control box initiates an express open or close operation. After that, pressing either button on the box will stop tarp operation. If neither button is pressed, operation will automatically stop at end of travel. On SMART2™ systems, if travel stops are not set, trailer-mounted control box operates in **MANUAL** (momentary) mode. Remotes for both systems are shipped with tarp channel set to **EXPRESS MODE**, and can be configured as desired.

NOTE: Tarp systems will operate in **EXPRESS MODE** when using buttons on trailer-mounted control box, if encoder wires are connected. For SMART2™ systems, travel stops must also be set, otherwise you must press and hold buttons. When in **EXPRESS MODE**, press and release buttons to open and close tarp (operation will continue until complete after releasing button). When in **MANUAL MODE**, press and hold buttons (operation will stop if button is released). See remote instruction manual for detailed instructions on remote operation.

NOTE: Tarp systems operate in **EXPRESS MODE** when commanded to operate from buttons on trailer-mounted control box. Closing remote lid or pressing select button will not stop system in this case. Pressing **OPEN** or **CLOSE** button on remote will stop system if in range.

NOTE: Tarp systems operate in **EXPRESS MODE** when using buttons on trailer-mounted control box, if encoder wires are connected. For SMART2™ systems, travel stops must also be set. Otherwise you must press and hold buttons (see remote instructions for SMART2™ systems).



WARNING
Stay clear of the roll tarp and arm(s) sweep area, from front-to-back, during operation. Failure to do so may result in a fall/impact causing serious injury or death. For repair/service of equipment, reference manual for proper safety precautions before proceeding.
Decal P/N 1705523

WARNING

DO NOT OPERATE MOTORIZED SYSTEMS WHILE INDIVIDUALS ARE ON OR OCCUPYING BOX/TRAILER/HOPPER.

Decal P/N 1705546

NOTICE

THIS TARP SYSTEM OPERATES IN EXPRESS MODE. UPON PRESSING THE **O**PEN/**C**LOSE BUTTON THE TARP SYSTEM WILL CONTINUE TO TRAVEL TO THE END STOPS. TO STOP THE MOTOR, PRESS EITHER BUTTON. READ OWNERS MANUAL BEFORE OPERATING. CONTACT SHUR-CO® FOR ALL TARP SYSTEM QUESTIONS AT 1-866-748-7435.

WARNING

Do not stand or climb on flex arm. Standing or climbing on flex arm could result in fall/impact causing serious injury or death.



WARNING

FLEX ARM UNDER SPRING TENSION

Read manual thoroughly before disassembling flex arm.
Failure to do so could result in serious injury or death.