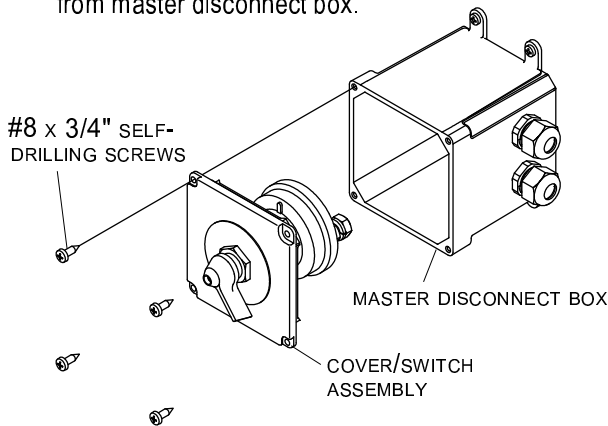
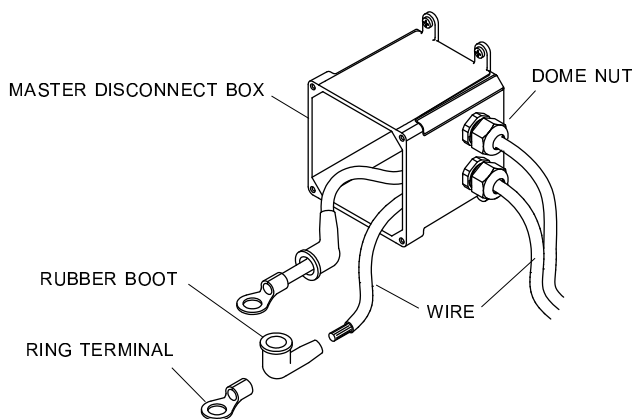


Item	Part #	Description
1.	1704405	Self-Drilling Screw - Pan Hd. - #8 x 3/4"
2.	1704283	Master Battery Disconnect Switch
3.	1703244	Ring Terminal - 6 Ga. x 3/8" Stud
4.	1704330	Rubber Boot
5.	1704338	Self-Tapping Screw - 1/4" x 1"
6.	1118556	Solar Master Disconnect Box
7.	1704187	Lock Nut - 1/2"
8.	1704152	Dome Nut - 1/2"
9.	1703822	Dual Conductor - 6 Ga. 259 Strand Wire (not shown)

STEP 1: Unfasten screws and remove cover/switch assembly from master disconnect box.



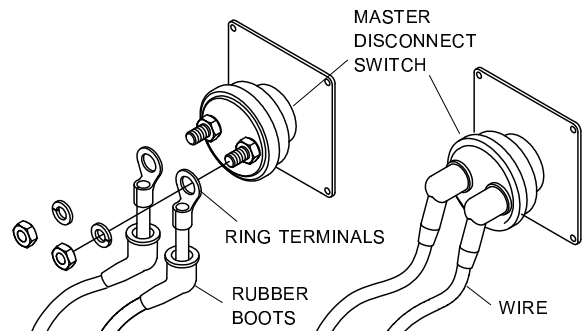
STEP 2: Run positive 6-ga. wire ends through dome nuts on master disconnect box. Run wire ends through rubber boots and crimp 16- to 14-ga. ring terminals to ends of wire.



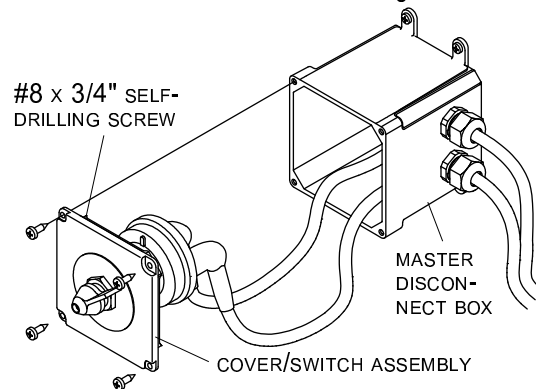
NOTE: Cut wires to length and strip only enough wire insulation to install ring terminals. Insert bare wire into ring terminals and crimp securely.

Labels: STRIP WIRE INSULATION, RING TERMINAL, CRIMP SECURELY

STEP 3: Connect wires to master disconnect switch. Coat with dielectric grease and install rubber boots over ring terminals.



STEP 4: Reinstall cover/switch assembly to master disconnect box. Fasten with #8 x 3/4" self-drilling screws.



STEP 5: Locate master disconnect switch inside kingpin in easily accessible area. Fasten box to trailer with 1/4" x 1" self-drilling screws.

