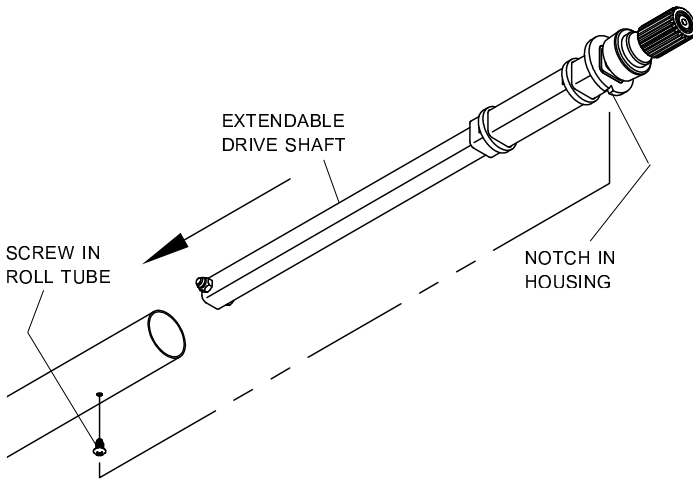
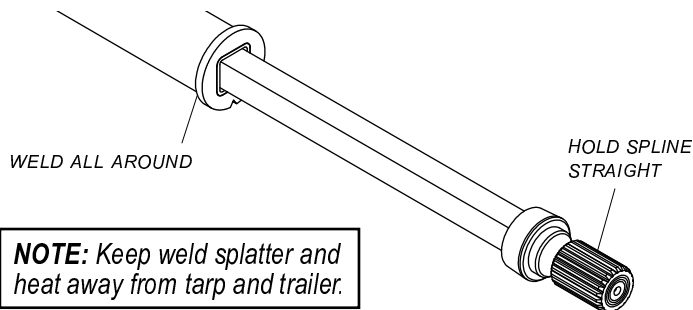


Item	Part #	Description
	1126182	Extendable Drive Shaft Assembly - 25 1/2"
1.	1126183	Extendable Drive Shaft Housing - 2" x 7"
2.	1126187	Extendable Drive Shaft - 25 1/2"
3.	1703487	Cap Screw - 5/16" x 1 1/2"
4.	1700419	Nylon Lock Nut - 5/16"
5.	1700736	Self-Tapping Screw - 1/4" x 1/2"

**STEP 1:** Insert extendable drive shaft assembly into end of roll tube, aligning notch in housing with screw in roll tube.

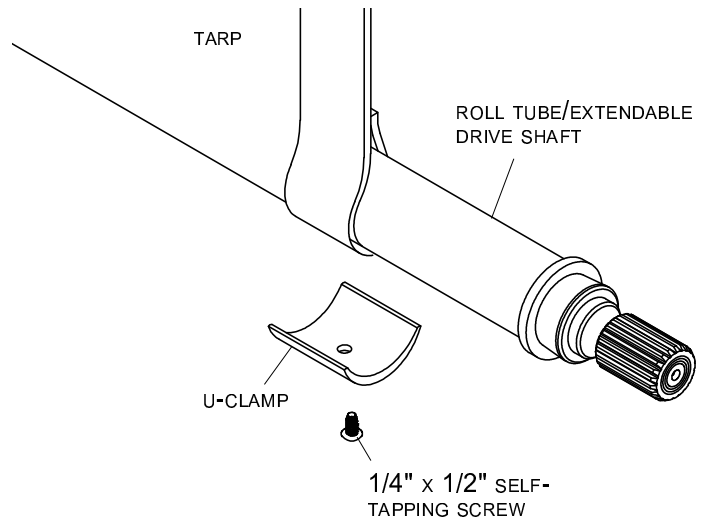


**STEP 2:** Hold spline straight and weld all around. Weld short beads and let cool, then fill weld between beads.



**NOTE:** Keep weld splatter and heat away from tarp and trailer.

**STEP 3:** To fasten tarp to roll tube, remove existing screw and U-clamp at end of roll tube. Replace U-clamp and secure with supplied 1/4" x 1/2" self-tapping screw.



**NOTE:** Always store extendable drive shaft assembly with spline in collapsed position.

**NOTE:** To prevent rust, paint all exposed metal, such as weld seams and/or metal exposed by grinding or cutting, with corrosion-resistant paint.

