



TARPING SYSTEMS & ACCESSORIES

P/N 1125399 Rev. B

OWNER'S MANUAL



Tarp System for Front Mount Bin

READ BEFORE INSTALLING

PO BOX 713 ■ 2309 SHUR-LOK STREET ■ YANKTON, SD 57078-0713
PHONE 1-800-4-SHUR-LOK (1-800-474-8756) ■ FAX 605-665-0501
www.shurco.com

SHOP ONLINE: www.shopshurco.com

SHIPPING. Orders are shipped F.O.B. from the Shur-Co®, LLC sites listed below. No full freight is allowed or prepaid shipment accepted unless quoted and approved in writing prior to acceptance of the order. All shipments are made by the most reasonable means in accordance with size and weight of order, unless specified routing instructions are furnished by the customer. Shipments are made daily via U.P.S. and common carrier. Claims for shortages must be made within 10 days. All claims for damages or loss in transit must be made with the carrier. No collect calls will be accepted. To ensure delivery of orders, we need your full street address and phone number. When you receive your shipment, examine it carefully. Be sure all cartons listed on the delivery sheet are accounted for. Large items may be packaged separately. If a carton is damaged, open it and inspect the contents before signing for delivery. If merchandise is damaged, describe damage on the delivery receipt. Failure on your part to document damaged or missing merchandise on the delivery receipt releases the carrier of all liability; repair or replacement will be the customer's responsibility.

WARRANTY. We warrant all new products are free of defects in materials and workmanship.* This warranty is effective if products are properly installed and used for the purpose for which they were intended and applies to the original buyer only. Except as set forth above or in any product-specific warranty documentation, we make no other warranties, express or implied, including but not limited to warranties of merchantability of fitness for a particular use.

Returns of a product for warranty must be accompanied by a Return Merchandise Authorization number (RMA#), obtained by calling Customer Service at 866-748-7435, and sent, with freight paid by us, to Shur-Co®, LLC, 2309 Shur-Lok St., PO Box 713, Yankton, SD 57078. All products returned without an RMA# will be refused. When we issue the RMA#, we will also issue a call tag to have UPS (or other freight company) pick up the product. C.O.D. returns not accepted. We will pay no storage fees for a warranty product return prior to pick by us or the freight company. If a warranty product return is scheduled to be picked up by us, we will pick up the product at our earliest convenience.

If a product returned is found, in our judgement, to be defective in material or workmanship, our obligation under this warranty is limited to the repair or replacement of the product, which will be made by us. Repair or replacement will be at our discretion, with replacements being made using current products performing in the equivalent function. Labor charges, other than those incurred at our factory, including, but not limited to, any labor to install a repaired or replacement product, are not covered under this warranty. All expenses associated with delivering defective products to our factory and delivering repaired or replacement products from our factory to the owner will be paid by us.

If the product returned is found, in our judgement, to be non-warrantable, the owner will be contacted to authorize repair work, purchase of a replacement product or return of the product, all of which will be at the owner's expense. Payment authorization must be received by us before any non-warrantable product is repaired, replaced or returned. All expenses associated with delivering the repaired non-warrantable product, a replacement product or the non-warrantable product from our factory to the owner will be paid by the owner.

In no event will we be liable for any damages of any kind to person, product or property, including but not limited to indirect, incidental, special, consequential or punitive damages, or damages for loss of profits or revenue, even if we have been advised of the possibility of such damages. There are no warranties for used products or products that have been repaired, altered, modified or subjected to misuse, negligence or accident. We will not repair or replace products that fail or malfunction due to ordinary wear and tear, except as expressly noted in a product-specific warranty. Use of non-Shur-Co®, LLC parts in conjunction with Shur-Co®, LLC products will void this product warranty.

*Certain products have specific warranties that differ from this warranty, for example motors and electronics. Product-specific warranty documentation is available for these items. In the event of a conflict between this warranty and a product-specific warranty, the product-specific warranty will govern.

RETURN POLICY. All sales final. See WARRANTY above for return details.

OTHER. All prices, product listings, sizes, weights and manufacturing details are subject to change without notice. No person is authorized to modify the foregoing conditions of sale whatsoever.

SHUR-CO®, LLC SERVICE AND DISTRIBUTION CENTERS

Corporate HQ and Outlet Store

SHUR-CO® of SOUTH DAKOTA
2309 Shur-Lok St., PO Box 713
Yankton, SD 57078-0713
Ph 800.474.8756 | Fax 605.665.0501

ShurTite™ Service Centers

SHUR-CO® of CANADA
490 Elgin St., Unit #1
Brantford, Ontario N3S 7P8
Ph 800.265.0823 | Fax 519.751.3997

SHUR-CO® of SIOUX FALLS
47184 258th St., Suite B
Sioux Falls, SD 57107
Ph 844.573.9322 | Fax 605.543.5469

SHUR-CO® of ILLINOIS
Ph 866.356.0246 | Fax 217.877.8270

SHUR-CO® of OHIO
Ph 866.356.0242 | Fax 330.297.5599

SHUR-CO® of COLORADO
10220 Brighton Rd., Unit #1
Henderson, CO 80640
Ph 866.355.9173 | Fax 303.289.2298

SHUR-CO® of FLORIDA
3353 SE Gran Park Way
Stuart, FL 34997
Ph 800.327.8287 | Fax 772.287.0431

SHUR-CO® of ILLINOIS
3993 E. Mueller Ave.
Decatur, IL 62526
Ph 866.356.0246 | Fax 217.877.8270

SHUR-CO® of IOWA
3839 Midway Blvd.
Ft. Dodge, IA 50501
Ph 866.356.0245 | Fax 515.576.5578

SHUR-CO® of MICHIGAN
5100 Lakeshore Dr.
Lexington, MI 48450
Ph 800.327.8287 | Fax 772.287.0431

SHUR-CO® of NORTH DAKOTA
1746 4th Ave. NW
West Fargo, ND 58078
Ph 877.868.4488 | Fax 701.277.1283

SHUR-CO® of OHIO
1100 N. Freedom, St. Rt. 88 & 14
Ravenna, OH 44266
Ph 866.356.0242 | Fax 330.297.5599


SHUR-CO® of TEXAS
34505 I-10 West, S. Frontage Rd.
Brookshire, TX 77423
Ph 866.689.0039 | Fax 281.934.3311

SHUR-CO® UK, Ltd.
Unit 41 Rochester Airport Estates
Laker Rd., Rochester, Kent ME1 3QX
Ph +44 (0)1795.473499
Fax +44 (0)871.272.8278

For more info, log on to our website:
www.shurco.com

MESSAGE TO OWNERS

Thank you for buying this tarping system from Shur-Co®. We appreciate your confidence in our products. Please read and thoroughly understand this manual before installing and/or operating this system.

Pay particular attention to important safety and operating instructions, as well as warnings and cautions. The hazard symbol  is used to alert users to potentially hazardous conditions and is followed by caution, warning or danger messages.

Failure to READ AND FOLLOW INSTRUCTIONS could result in failure of your tarping system and/or personal injury. Your trailer requirements may, however, call for minor variations to these instructions.

Please inspect your tarping system periodically. Repair or replace worn or damaged parts to your system.

QUESTIONS? CALL OUR HELP LINE:

1-866-748-7435

MON-FRI 8 AM-5 PM CENTRAL TIME

SAFETY

We at Shur-Co® are concerned with your safety and the safety of all those operating this system. Therefore, we have provided safety decals at various locations on your tarping system. Keep decals as clean as possible at all times. Replace any decal that has become worn or damaged, painted over or otherwise difficult to read. Replacement decals are available through Shur-Co® dealers.

SAFETY INSTRUCTIONS

- 1. Always wear safety glasses during installation and operation.**
- 2. Stay clear of moving parts.**
- 3. Do not operate under low-hung power lines. Always check for overhead obstructions before opening or closing.**
- 4. Open and close tarp only at the job site.**
- 5. Use caution when operating tarp system in windy conditions. Face vehicle into wind when opening and closing tarp.**
- 6. Place safety decals in visible locations. Replace worn or damaged decals.**
- 7. No other use of this system is authorized, except as designed.**

TABLE OF CONTENTS

Hardware Identification..... 1

Mounting Locations 2

Tarp Housing Installation 3

Pull Bar Hook Installation 4

Tarp Installation 5

Pull Bar Assembly..... 6

Rope & Box Hook Installation..... 7

Spring Tension Setting..... 8

Replacement Parts..... 9-10

TOOLS REQUIRED

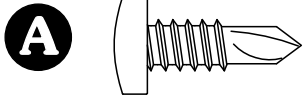
1. Wrenches - 1/2", 9/16", 7/8"
2. Ratcheting Socket Wrench
3. Sockets - 1/2", 9/16"
5. Drill Bit (metal cutting) - 5/16", 1/4"
6. Center Punch
7. Hammer
8. Tape Measure
10. Grinder
11. Air or Electric Impact Wrench w/9/16" Socket

MAINTENANCE

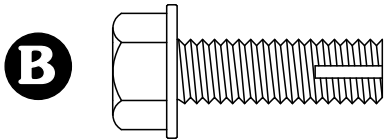
- Tighten any loose bolts.
- Replace worn/damaged/bent parts.
- Replace/repair worn or damaged tarps.

RUST PREVENTION

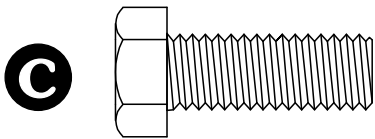
To prevent rust, paint all exposed metal, such as weld seams and/or metal exposed by grinding or cutting, with corrosion-resistant paint.



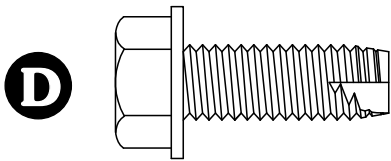
A 1700398 Self-Drilling Screw - 1/4" x 3/4"



B 1701059 Self-Tapping Screw - 5/16" x 1"



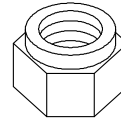
C 1701061 Cap Screw - 3/8" x 1"



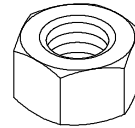
D 1700400 Self-Tapping Screw - 3/8" x 1"



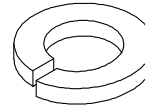
G 1704454 Nylon Lock Nut - 5/16"



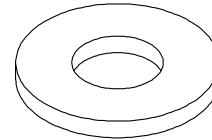
H 1700407 Hex Nut - 3/8"



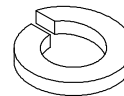
J 1700433 Lock Washer - 5/16"



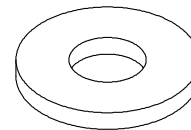
K 1700428 Flat Washer - 5/16"



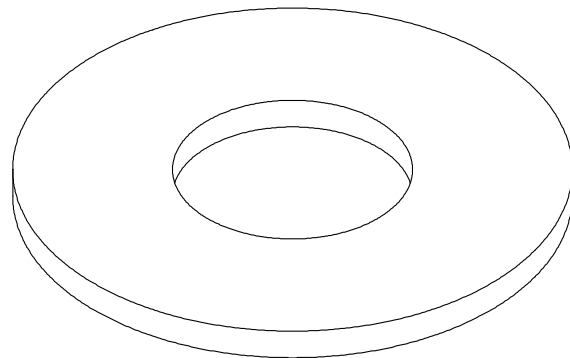
L 1700434 Lock Washer - 3/8"



M 1700429 Flat Washer - 3/8"

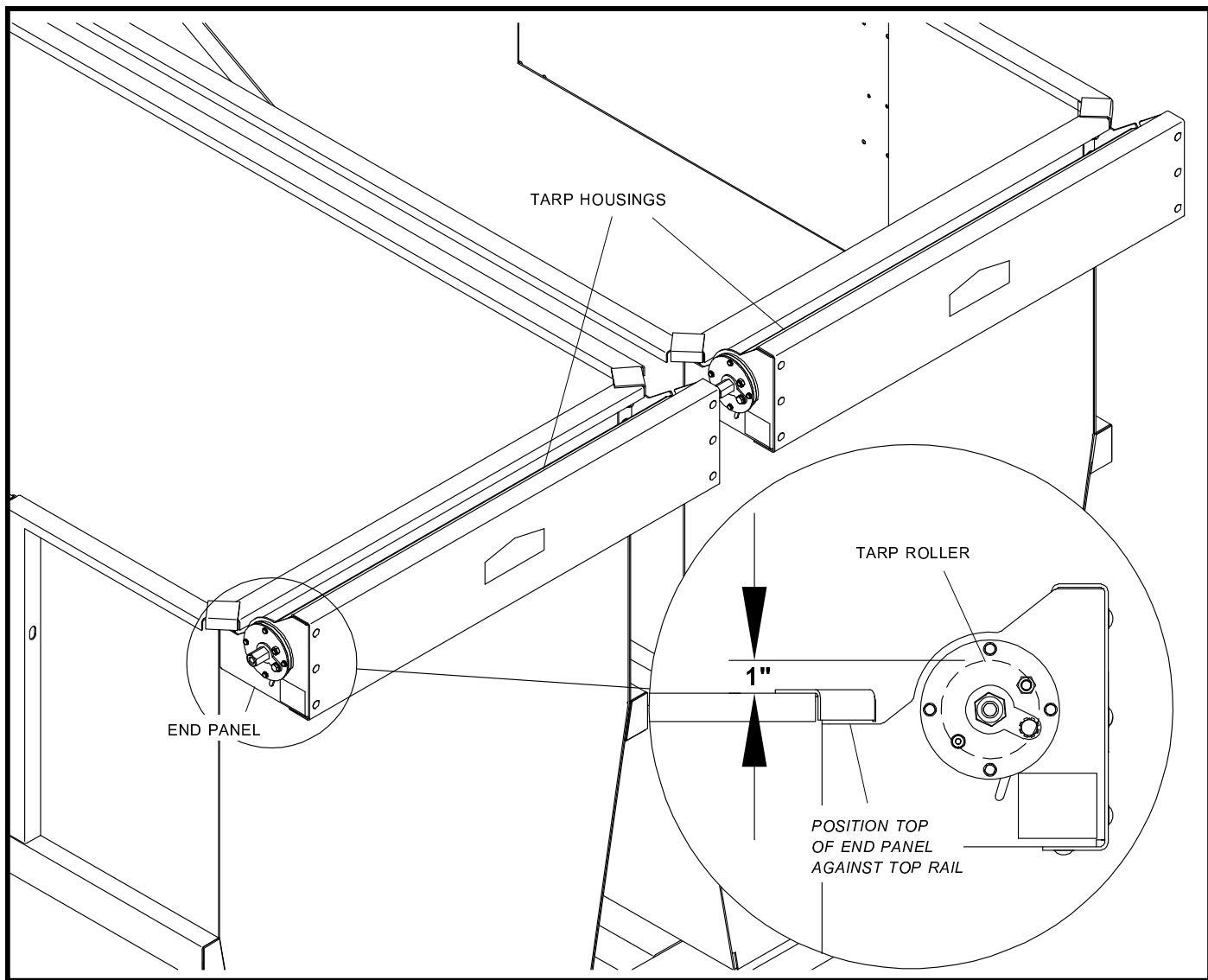


N 1701209 Flat Washer - 1 1/8"

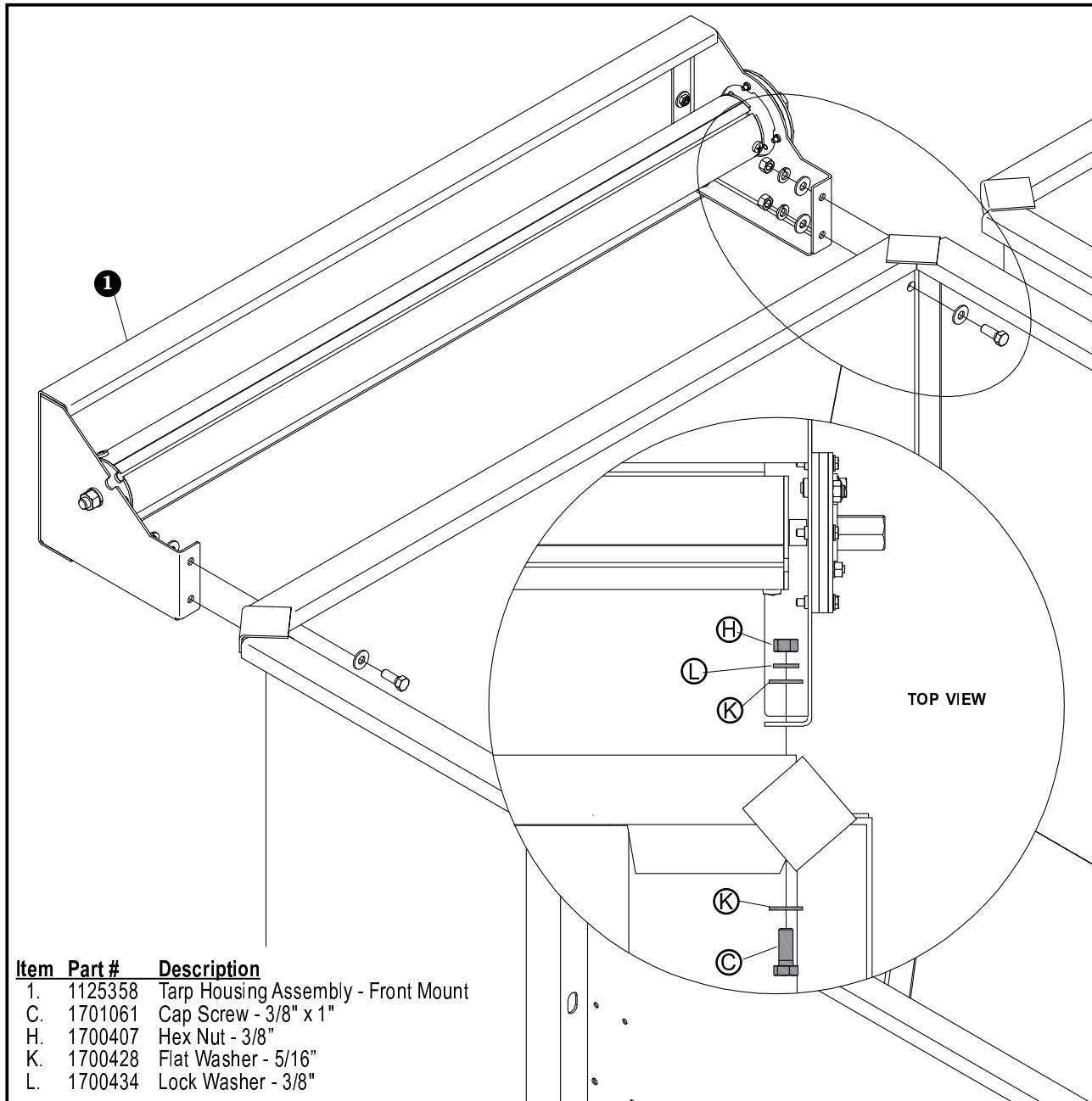


STEP 1: Mount tarp housing on front of bin. Position housing as shown, with top of tarp spool end panels close to or against underside of top rail.

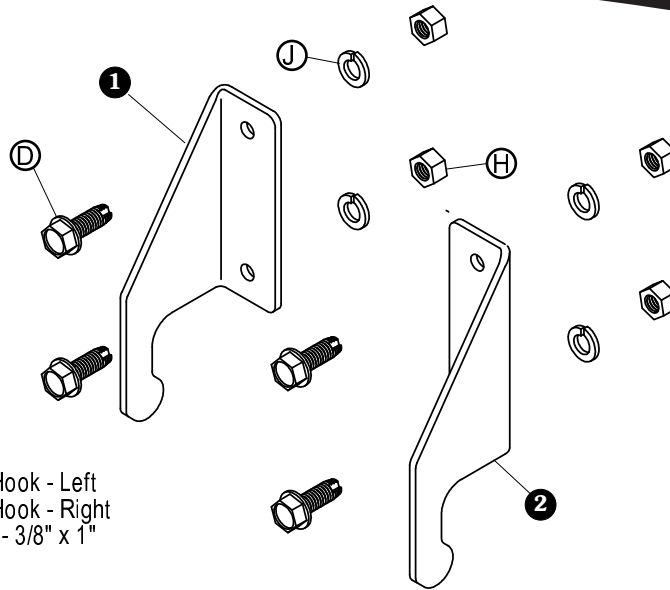
NOTE: Top of tarp roller should be about 1" above top rail so tarp clears top rail when opening and closing.



STEP 1: Place tarp housing in determined mounting location. Use holes in end panels as guide, mark and drill 3/8" holes. Fasten with screws **C**, flat washers **K**, lock washers **L** and nuts **H**.

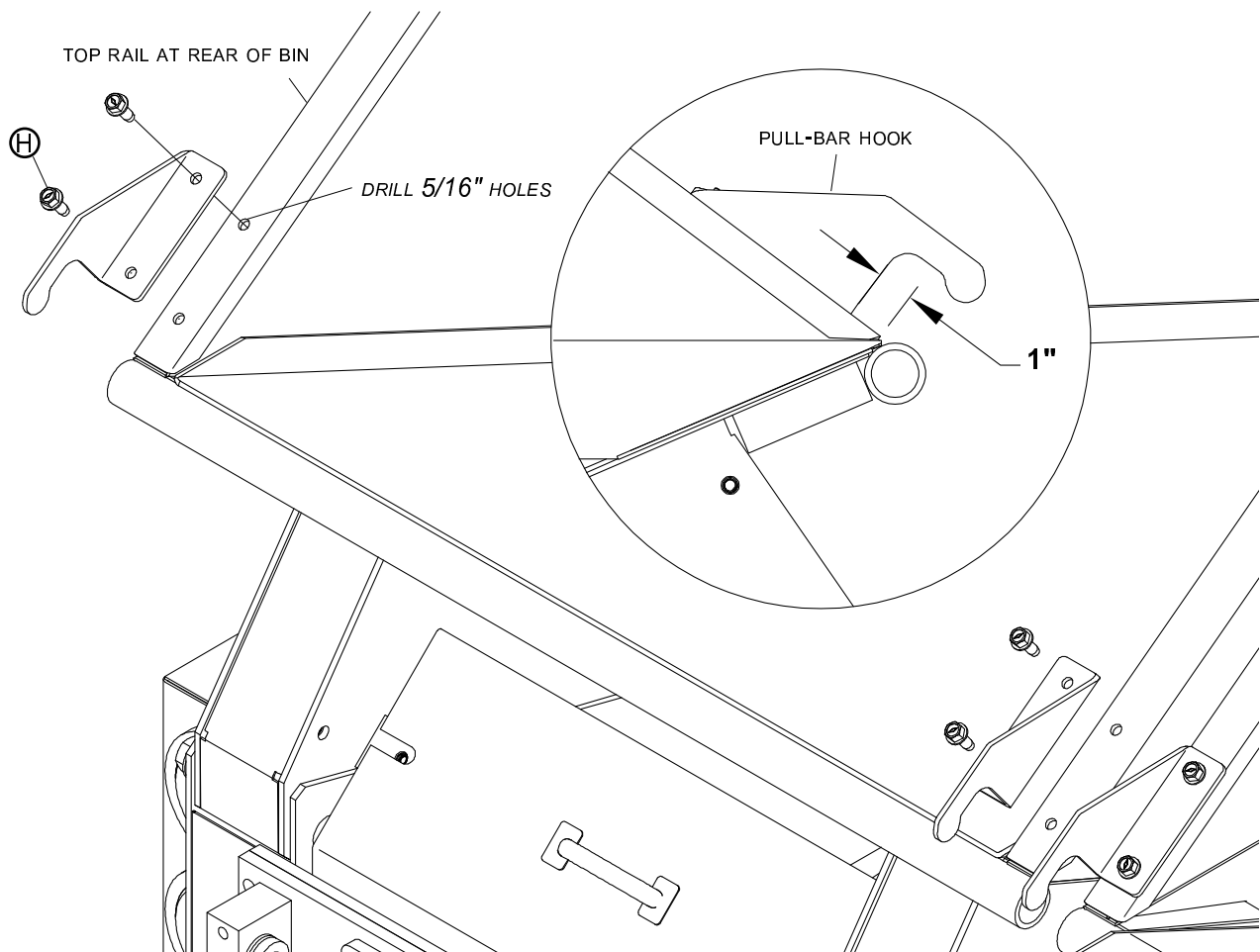


NOTE: To prevent rust, paint all exposed metal, such as weld seams and/or metal exposed by grinding or cutting, with corrosion-resistant paint (not necessary for unpainted aluminum boxes).

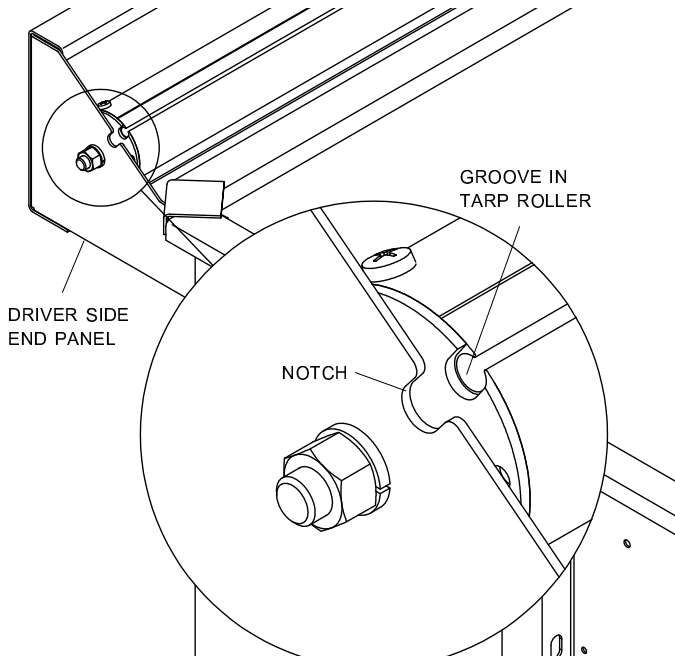


Item	Part #	Description
1.	1125159	Pull-Bar Retaining Hook - Left
2.	1125160	Pull-Bar Retaining Hook - Right
D.	1700400	Self-Tapping Screw - 3/8" x 1"
J.	1700434	Lock Washer - 3/8"
H.	1700407	Hex Nut - 3/8"

STEP 1: Align pull-bar hooks on top rail at rear of bin as shown. Use hook as guide to mark and drill 5/16" holes. Fasten pull-bar hooks to top rail with screws **D** or weld hooks to rail.

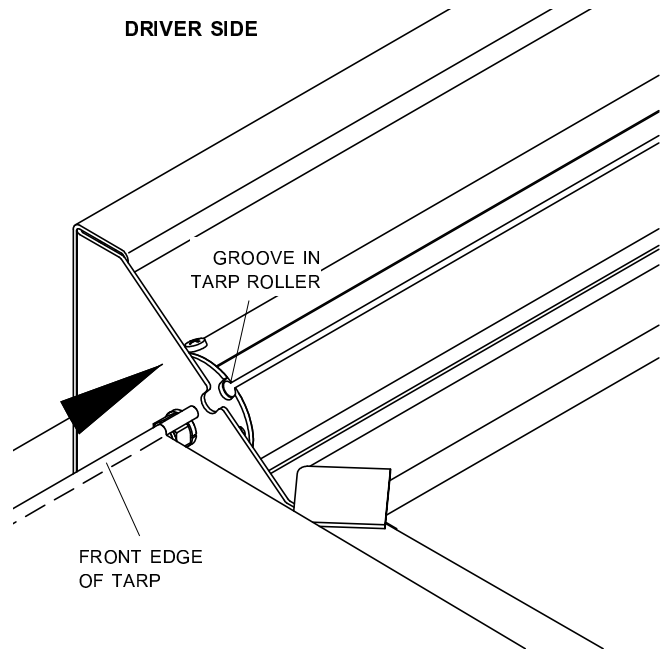


STEP 1: Align groove in tarp roller with notch in driver side end panel.

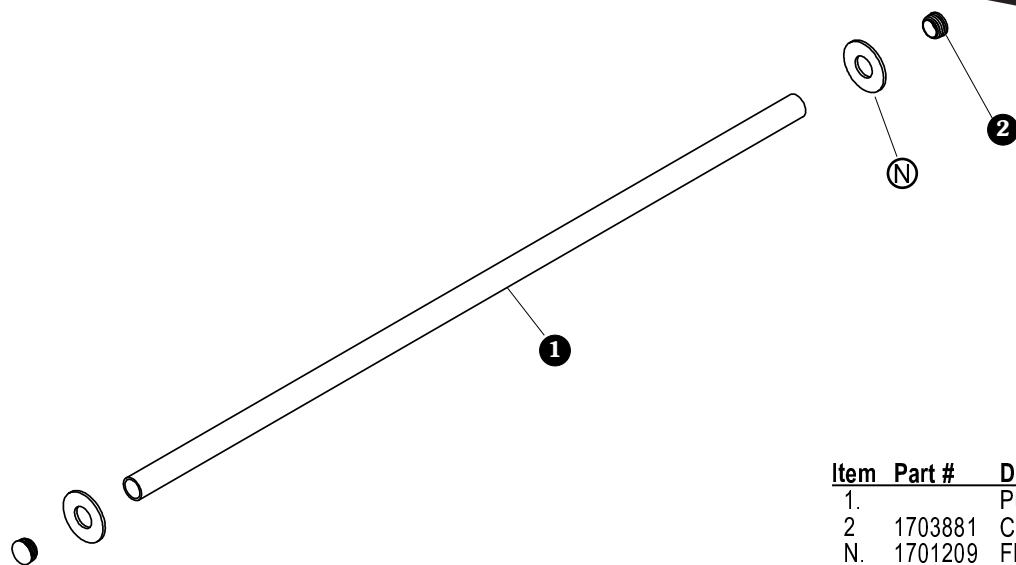


STEP 2: Lay out tarp, logo side up. Find front edge of tarp with plastic rod sewn in hem.

STEP 3: Install tarp into tarp roller. From driver side of tarp housing, slide front edge of tarp into groove in tarp roller. Center tarp on tarp roller.

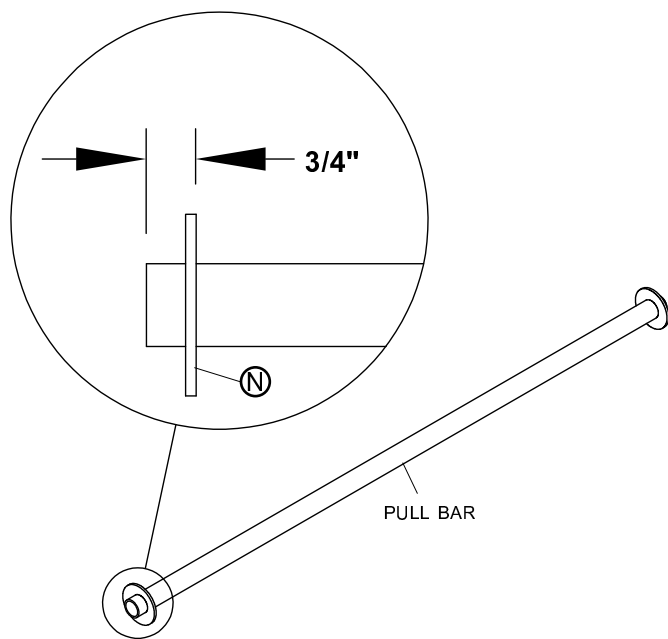


TIP: Before sliding tarp into tarp roller, spray tarp roller groove with silicone lubricant or soapy water to help tarp slide more easily.

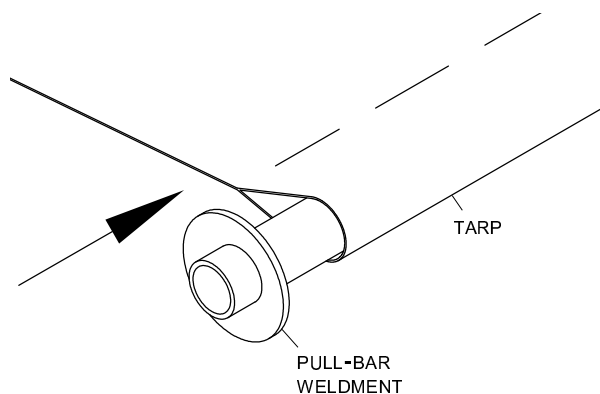


Item	Part #	Description
1.		Pull Bar
2.	1703881	Cap Plug - 1 1/4"
N.	1701209	Flat Washer - 1 1/8"

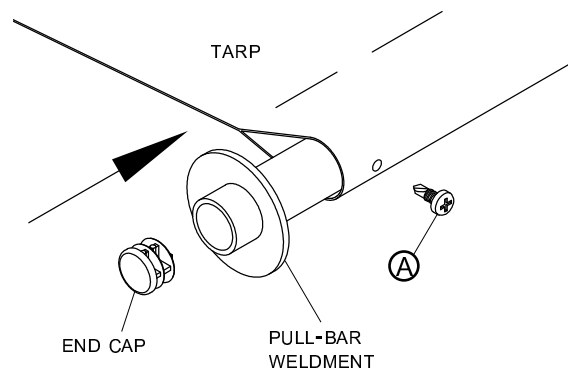
STEP 1: Weld washers **N** to pull bar as shown.

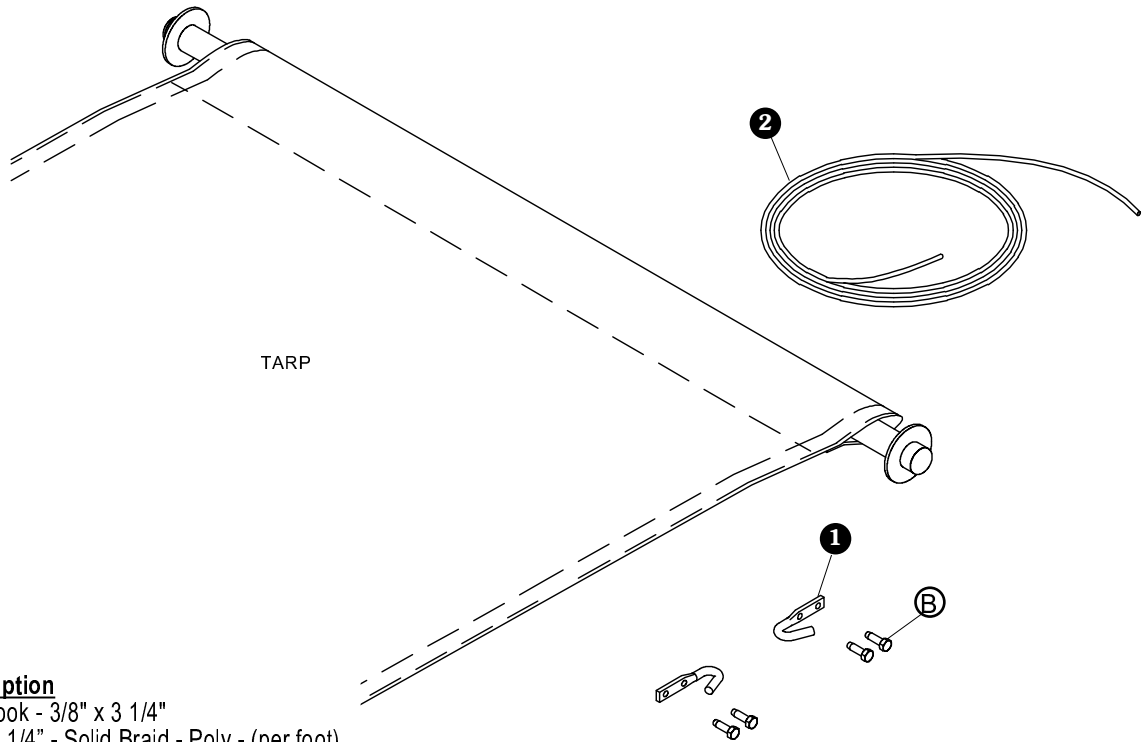


STEP 2: Slide pull bar weldment through rear pocket on tarp.



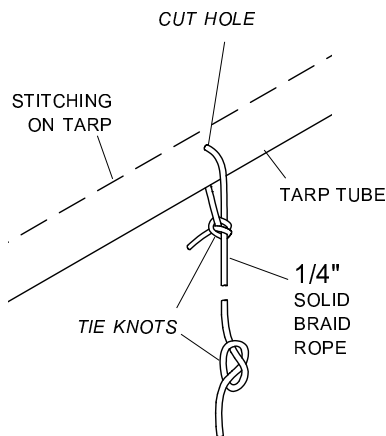
STEP 3: Install cap plugs into ends of pull bars. If desired, fasten tarp to pull bar with two screws **A**.





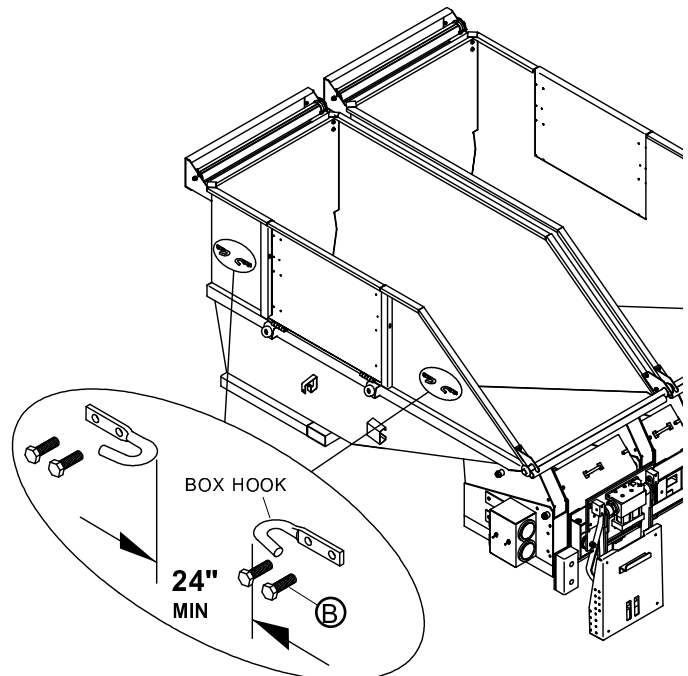
Item	Part #	Description
1.	1700682	Box Hook - 3/8" x 3 1/4"
2.	1700624	Rope - 1/4" - Solid Braid - Poly - (per foot)
B.	1701059	Self-Tapping Screw - 5/16" x 1"

STEP 1: Cut small hole in center of tarp just above tarp tube. Wrap rope around tarp tube and secure with knot.

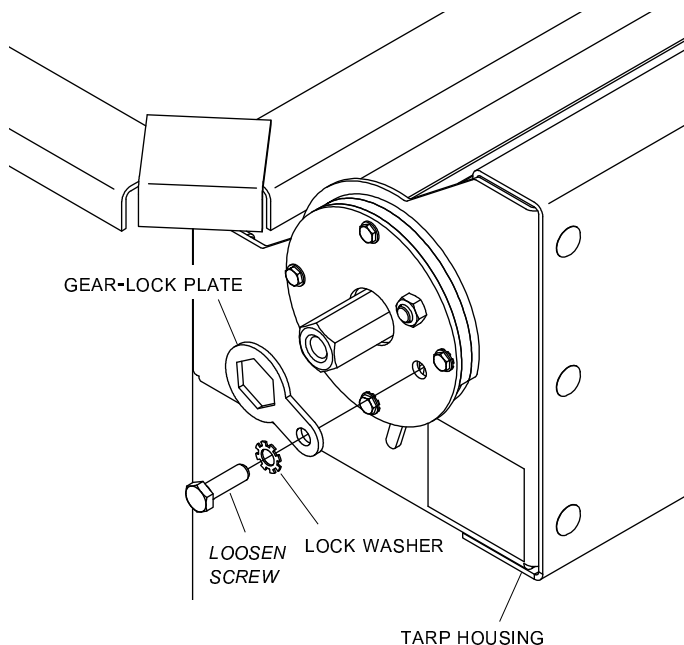


STEP 2: Tie knot in end of rope. Rope can be shortened later, if desired.

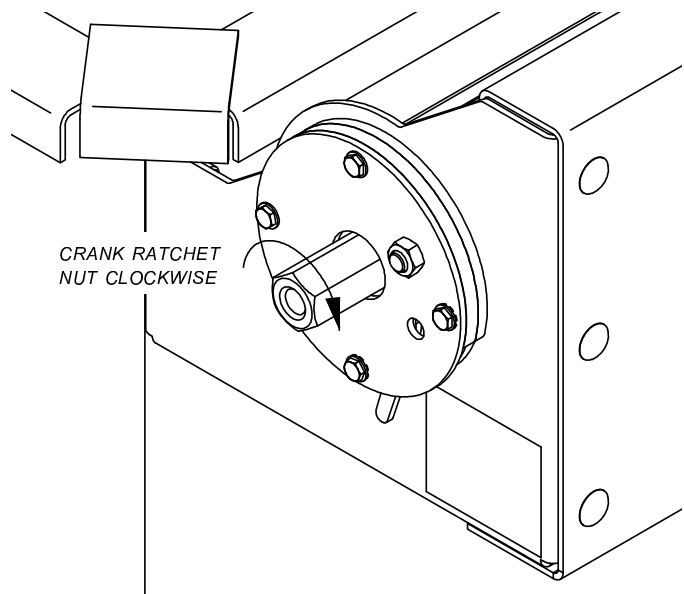
STEP 3: Install box hooks at rear and on side of box for rope storage. Place in convenient location, spacing at least 24" apart. Mark and drill 1/4" holes and fasten with screws B.



STEP 1: Before setting tension on spring, pull tarp over tailgate as far as it will go. Secure tarp to rear of bin with rope to prevent tarp from retracting. On passenger side, loosen hardware holding gear-lock plate to tarp housing. Remove screw, lock washer and gear-lock plate.



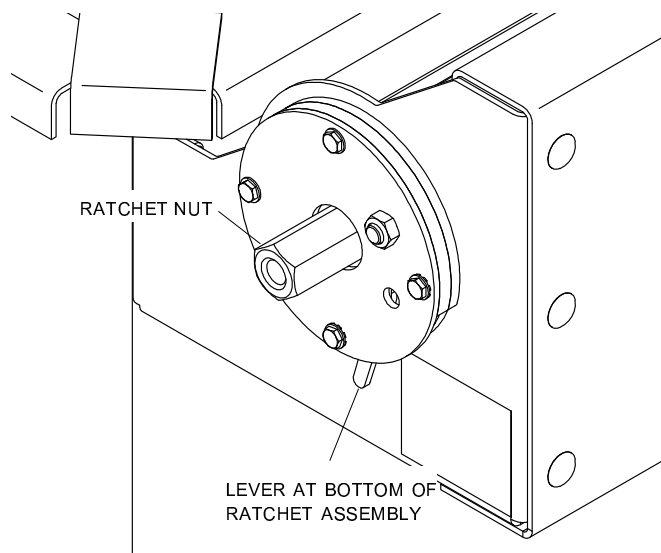
STEP 2: Use 7/8" wrench to crank ratchet nut clockwise and build spring tension. Turn approximately 11 to 13 turns.



STEP 3: Untie rope from rear of bin and open and close tarp a few times. If tarp does not fully retract, or if more tension is needed, pull tarp toward rear of bin as far as possible and secure tarp to rear of bin. Add 1 to 2 more turns to ratchet assembly and test operation again. Repeat this procedure until you reach desired spring tension. Do not exceed 24 turns.

STEP 4: When spring tension is adequate, reinstall gear-lock plate and fasten plate to tarp housing by replacing lock washer and screw, tightening securely.

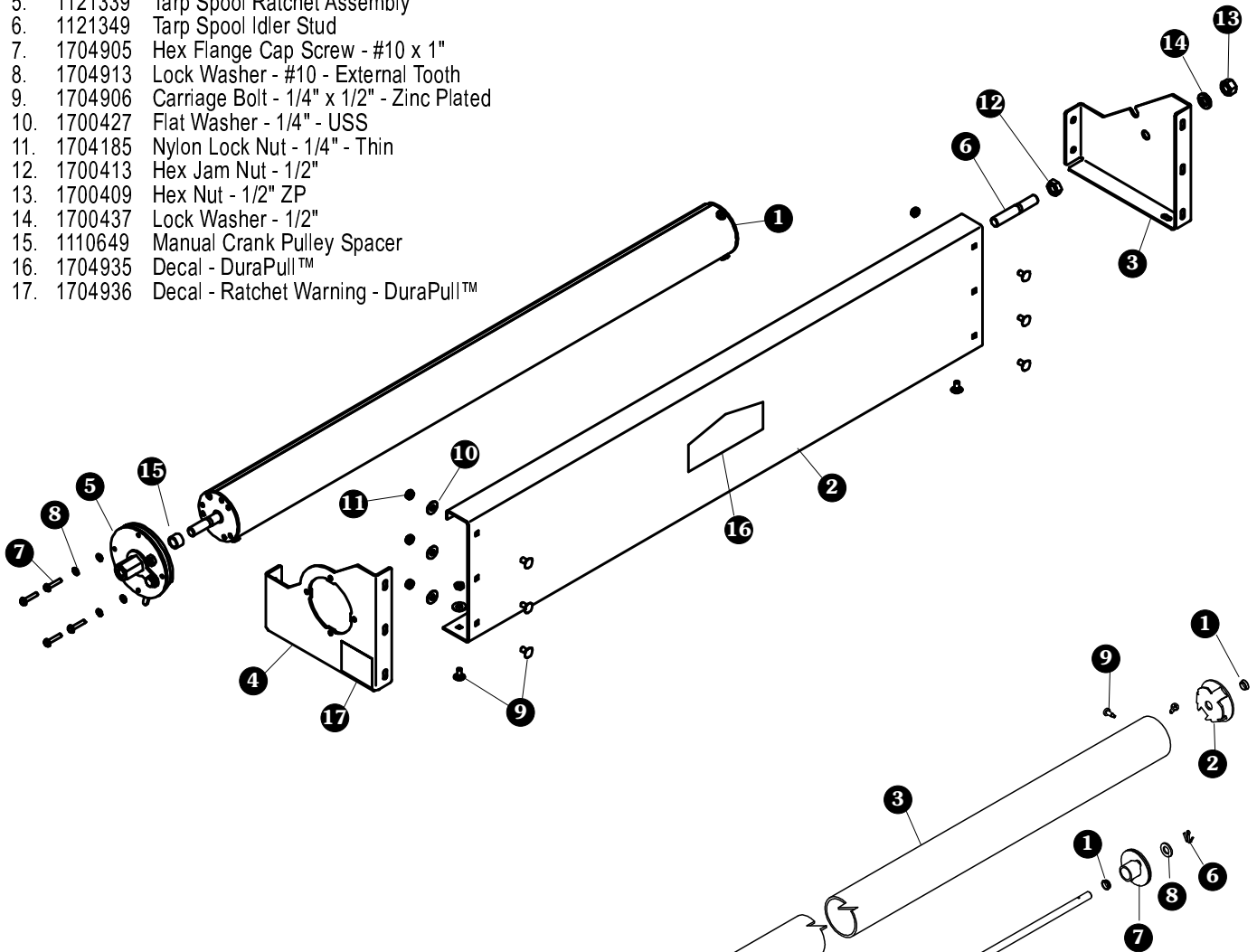
STEP 5: To decrease tension or remove ratchet assembly, first remove gear-lock plate. Place 7/8" wrench onto ratchet nut and apply pressure in clockwise direction. Pull back lever at bottom of ratchet assembly to disengage ratchet pawl and slowly turn wrench counter-clockwise to reduce spring tension. Release lever to reengage ratchet. When ratchet has reengaged, remove wrench.



NOTE: If removing ratchet assembly, make sure all tension is removed from spring before disassembling.

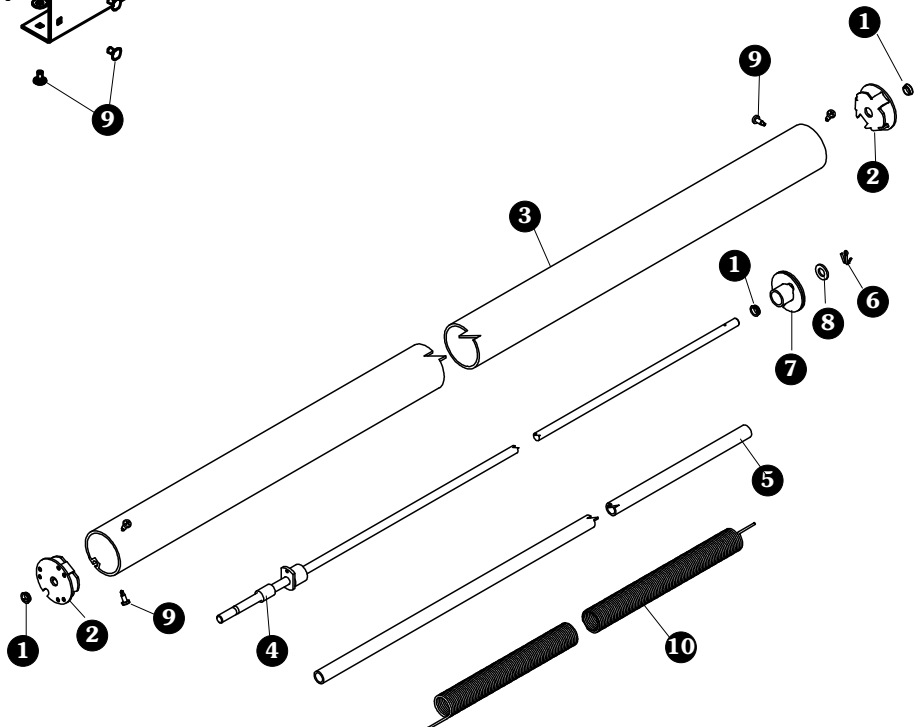
TARP HOUSINGS

Item	Part #	Description
.	1125358	Tarp Housing Assembly -Front Mount
1.	1125362	Tarp Spool Assembly - 40"
2.	1125361	Tarp Housing Shield - Front Mount
3.	1125360	Tarp Housing End Panel - Front Mount - Driver Side
4.	1125359	Tarp Housing End Panel - Front Mount - Pass. Side
5.	1121339	Tarp Spool Ratchet Assembly
6.	1121349	Tarp Spool Idler Stud
7.	1704905	Hex Flange Cap Screw - #10 x 1"
8.	1704913	Lock Washer - #10 - External Tooth
9.	1704906	Carriage Bolt - 1/4" x 1/2" - Zinc Plated
10.	1700427	Flat Washer - 1/4" - USS
11.	1704185	Nylon Lock Nut - 1/4" - Thin
12.	1700413	Hex Jam Nut - 1/2"
13.	1700409	Hex Nut - 1/2" ZP
14.	1700437	Lock Washer - 1/2"
15.	1110649	Manual Crank Pulley Spacer
16.	1704935	Decal - DuraPull™
17.	1704936	Decal - Ratchet Warning - DuraPull™



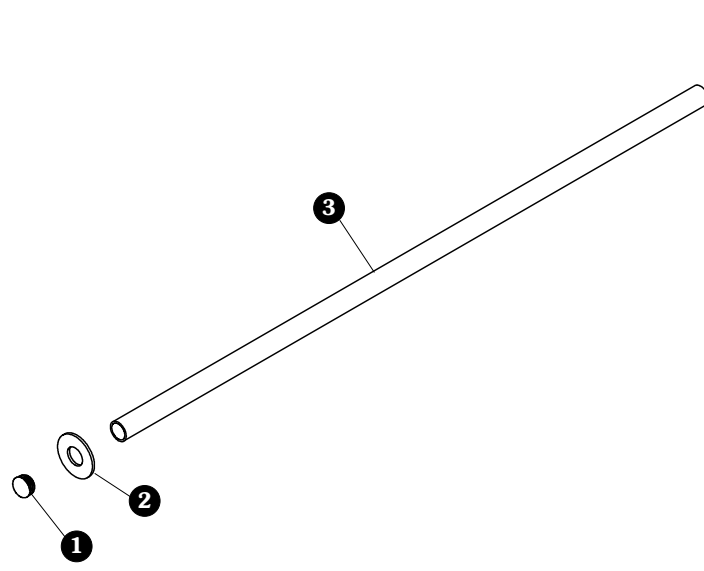
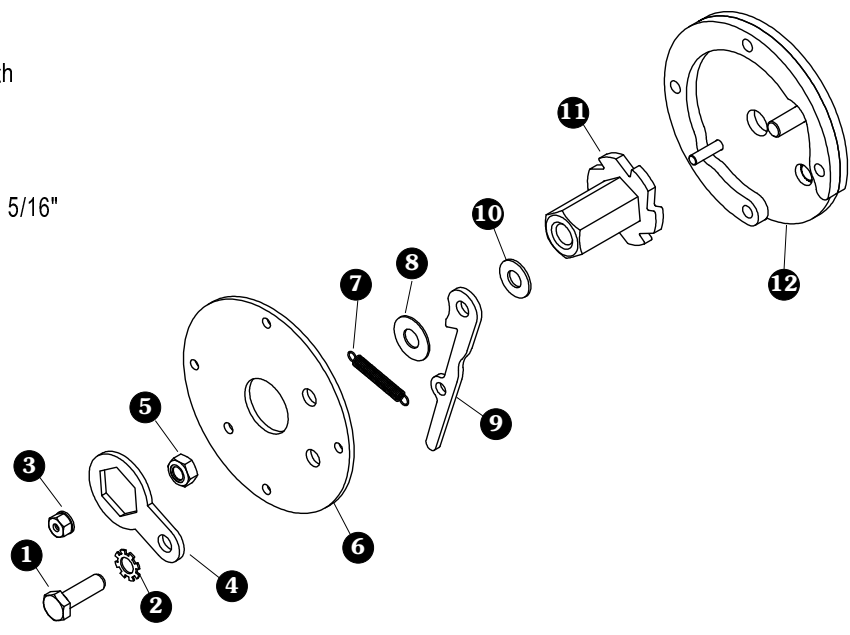
TARP SPOOLS

Item	Part #	Description
.	1125362	Tarp Spool Assembly - 40"
1.	1704908	Flange Bearing - 1/2" - Snap In
2.	1121324	Tarp Spool End Cap
3.	1125363	Tarp Spool Tube - 38 1/2"
4.	1125364	Spring Shaft - 40 DPL
5.	1125366	Spring Spacer Tube - 30 7/8"
6.	1704907	Cotter Pin - 1/8" x 1"
7.	1121328	Spring Tube Catch
8.	1704919	Flat Washer - 1/2"
9.	1700398	Self-Drilling Screw - 1/4" x 3/4"
10.	1705608	Torsion Spring - 1 1/2" x 30"



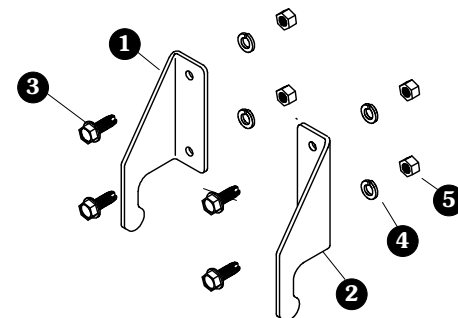
TARP SPOOL RATCHETS

Item	Part #	Description
	1121339	Tarp Spool Ratchet Assembly
1.	1704416	Cap Screw - 5/16" x 1"
2.	1704912	Lock Washer - 5/16" - External Tooth
3.	1704813	Nylon Lock Nut - #10
4.	1121348	Ratchet Lock Plate
5.	1704454	Nylon Lock Nut - 5/16"
6.	1121347	Ratchet Cover Plate
7.	1704904	Extension Spring - 7/32" x .023" x 1 5/16"
8.	1702881	Pawl Washer - 3/8"
9.	1121346	Ratchet Pawl
10.	1704911	Nylon Washer - 1/16" x 3/4" x 5/16"
11.	1705718	Ratchet Gear
12.	1121340	Ratchet Base Assembly



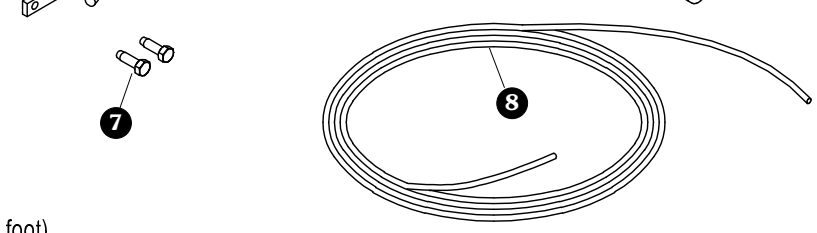
PULL BARS

Item	Part #	Description
1.		Pull Bar
2.	1701209	Flat Washer - 1 1/8"
3.	1703881	Cap Plug - 1 1/4"



PULL ROPE & HOOKS

Item	Part #	Description
1.	1125159	Pull-Bar Retaining Hook
2.	1125160	Pull-Bar Retaining Hook
3.	1700400	Self-Tapping Screw - 3/8" x 1"
4.	1700434	Lock Washer - 3/8"
5.	1700407	Hex Nut - 3/8"
6.	1700682	Box Hook - 3/8" x 3 1/4"
7.	1701059	Self-Tapping Screw - 5/16" x 1"
8.	1700624	Rope - 1/4" - Solid Braid - Poly - (per foot)



MORE QUALITY PRODUCTS FROM SHUR-CO®

- **Genuine Replacement Tarps**
- **Genuine Replacement Parts**

- **Agriculture Products**
 - Value Series Shur-Lok®
 - Super Duty Shur-Lok®
 - Shur-Lok® Junior
 - Premium Belt 'n Ratchet
 - Cable-Lok™
 - Turning Point™ Bow

- **SMARTrailer™ Accessories for Agriculture Products**
 - SMART2™ Remote
 - SMART1 +™ Remote
 - 4500 Series HD Electric
 - Electric Shur-Lok®
 - AutoTrap™ Hopper Opener
 - ProTrap® Hopper Opener
 - Electric Gate & Hoist
 - LiteALL™ Work Lights
 - Cable-Lok™ Electric Upgrade
 - Electric Turning Point™ Bow
 - Solar Power Pack

- **Flatbed Products**
 - ShurTite™ Retractable Tarps
 - Stock Lumber & Steel Tarps

- **Custom Products**
 - Fitted Truck Covers
 - Flat Utility Tarps
 - Bean Drill Covers
 - Shur-Lok® Tarp Cords
 - Gustbuster™ Tarp Cords

- **Construction Products**
 - Super Duty Shur-Lok®
 - Shur-Trak II™
 - Cover-Pro II®
 - Turning Point™ Bow
 - IronSide™ Side-Dump System
 - Arm-Matic™
 - DuraPull™
 - Econo-Pull™
 - Turbo Tarp2™
 - 2000 Series
 - 5000 Series
 - Hammer™
 - Bullet™
 - Flash™
 - Long Arm™

- **SMARTrailer™ Accessories for Construction Products**
 - 4500 Series HD Electric w/Gate Flex™
 - Shur-Trak II™ Electric Upgrade
 - Cover-Pro II® Electric Upgrade
 - Electric Turning Point™ Bow
 - Solar Power Pack

- **Waste Products**
 - The Ox™
 - Quick-Flip III™
 - Sidewinder™
 - Sidewinder™ 350
 - HyTower™ SL
 - HyTower™ DL
 - Double-Flip™

TARPING SYSTEMS & ACCESSORIES

