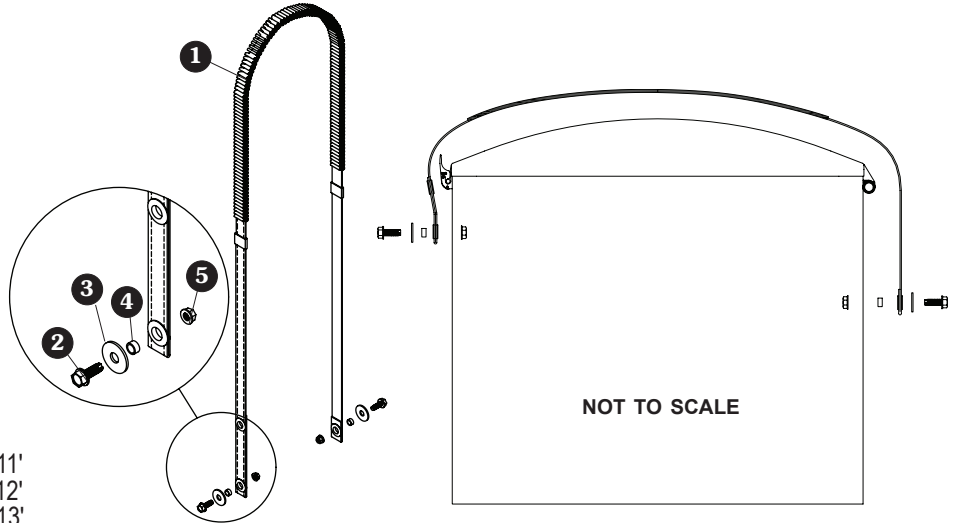


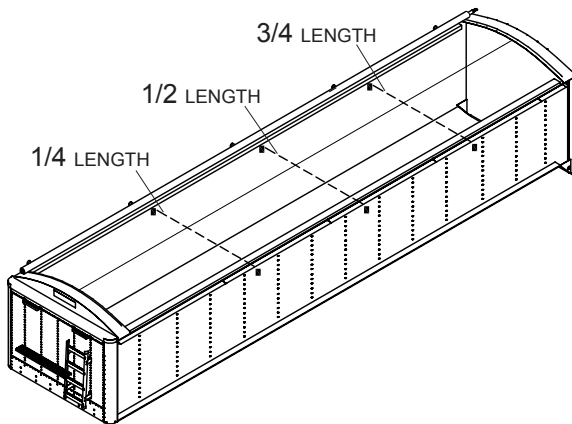
Item	Part #	Description
	1125679	GustBuster™ Kit - 8' to 9' - One Cord
	1125680	GustBuster™ Kit - 8' to 9' - Two Cords
	1125681	GustBuster™ Kit - 8' to 9' - Three Cords
	1126741	GustBuster™ Kit - 10' to 11' - Two Cords
	1126742	GustBuster™ Kit - 11' to 12' - Two Cords
	1126743	GustBuster™ Kit - 12' to 13' Two Cords
1.	1705638	GustBuster™ Bolt On - 8' to 9'
	1126738	GustBuster™ Bolt On - 10' to 11'
	1126739	GustBuster™ Bolt On - 11' to 12'
	1126740	GustBuster™ Bolt On - 12' to 13'
2.	1700400	Self-Tapping Screw - 3/8" x 1"
3.	1128022	Aluminum Fender Washer - 3/8" x 1-1/8" x .08"
4.	1705992	Aluminum Spacer - 1/2" x 3/8" x 1/4"
5.	1704371	Flanged Hex Nut - 3/8"



NOTE: Tarp will open and close freely under GustBuster™ Tarp Cord.

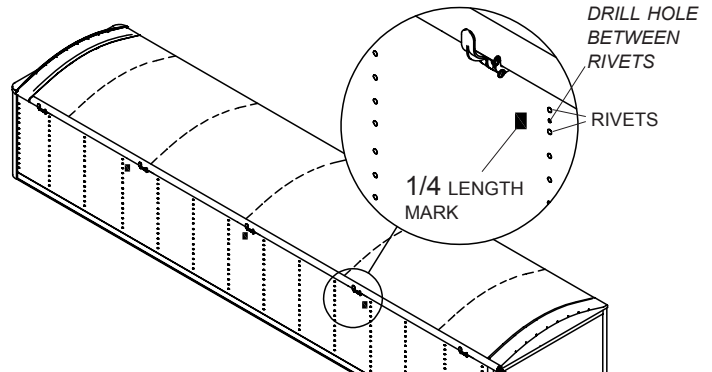
NOTE: Where 3/8" x 1" self-tapping screws ② are used, use nuts on interior side, if possible, and drill 13/32" holes. If interior side of trailer is not accessible, self-tapping screws used without nuts require minimum wall thickness of 3/16". Drill 5/16" holes.

STEP 1: Roll tarp open against tarp stops. Place mark below top rail at 1/4 length and 3/4 length of trailer. If installing a third cord, mark 1/2 length also.

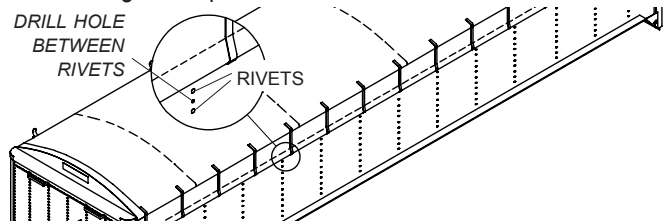


RECOMMENDED: Install GustBuster™ a minimum of 9" from any bow.

STEP 2: On tarp stop side of trailer, determine vertical rows of rivets nearest to marks below top rail. Drill hole between two rivets, just below trailer frame.



STEP 3: Roll tarp toward latchplate side and let roll tube hang at its lowest point. On latchplate side, locate row of rivets directly across trailer from selected row of rivets on tarp stop side. Drill hole between two rivets, just below lower edge of tarp.

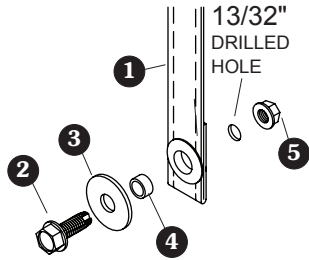


TIP: To confirm selected rows of rivet placement directly across from each other on trailer, count rivet rows from front-passenger side of trailer to selected row. Count an equal number of rows from front-driver side.

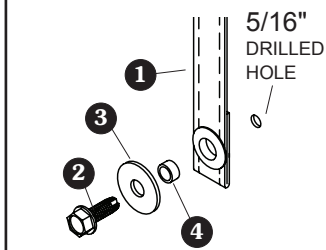
STEP 4: Drape GustBuster™ ① over closed tarp. If drilled hole is accessible from inside of trailer, fasten cord to trailer with screws ②, washers ③, spacers ④ and nuts ⑤. If drilled hole is not accessible from inside of trailer and wall thickness is at least 3/16", fasten cord with screws ②, washers ③ and spacers ④.

ONE-GROMMET END - LATCHPLATE SIDE

INTERIOR OF DRILLED HOLE IS ACCESSIBLE

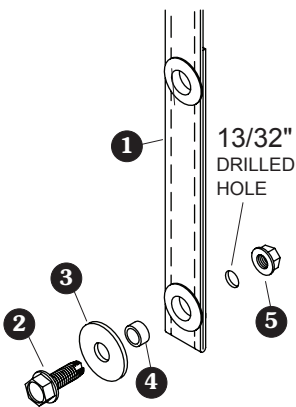


INTERIOR OF DRILLED HOLE IS NOT ACCESSIBLE

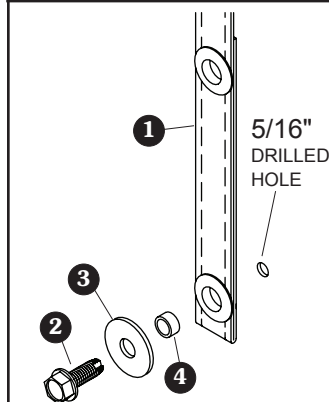


TWO-GROMMET END ON 102" WIDE TRAILER - TARP STOP SIDE

INTERIOR OF DRILLED HOLE IS ACCESSIBLE

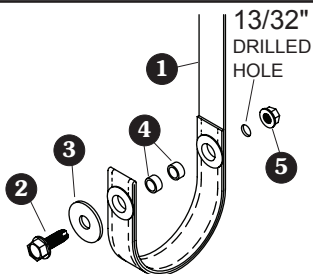


INTERIOR OF DRILLED HOLE IS NOT ACCESSIBLE



TWO-GROMMET END ON 96" WIDE TRAILER - TARP STOP SIDE

INTERIOR OF DRILLED HOLE IS ACCESSIBLE



INTERIOR OF DRILLED HOLE IS NOT ACCESSIBLE

