



# CABLE-LOK®

## FOR TENDERS/SPREADERS



A009FL-0620

### FEATURES AND BENEFITS



- No-Weld Install
- Powder-Coated Easy-Off Tarp Stops w/ Stainless Bodies
- Stainless Bows/Brackets
- Stainless End Caps
- Telescoping Nylon Crank Retainer
- Zinc-Plated Ratchets
- Stainless Fixed Tube

From seed to blended fertilizer to micronutrients, the Cable-Lok™ provides watertight protection when it's crucial that loads stay dry. Its stainless steel and powder-coated components are designed to stand up to the most corrosive environments.

All of that stainless steel and powder coating comes standard, adding durability and lasting performance by helping to reduce the corrosion problems that go hand-in-hand with hauling fertilizer. An ideal upgrade is our flexible easy-off tarp stop. It's also corrosion resistant, with just the right amount of give, even in subzero temperatures. Electric Cable-Lok™ options available.



800.474.8756

WWW.SHURCO.COM

# CABLE-LOK™ BOX DETAILS For Fertilizers and Spreaders

CORRECT PHYSICAL MEASUREMENTS ARE ESSENTIAL FOR PROPER TARP FIT. PROVIDE ALL REQUESTED INFORMATION OR YOUR ORDER MAY BE DELAYED. **DO NOT USE** UNIVERSAL BOX SIZES. **ALWAYS** USE ACTUAL MEASUREMENTS.

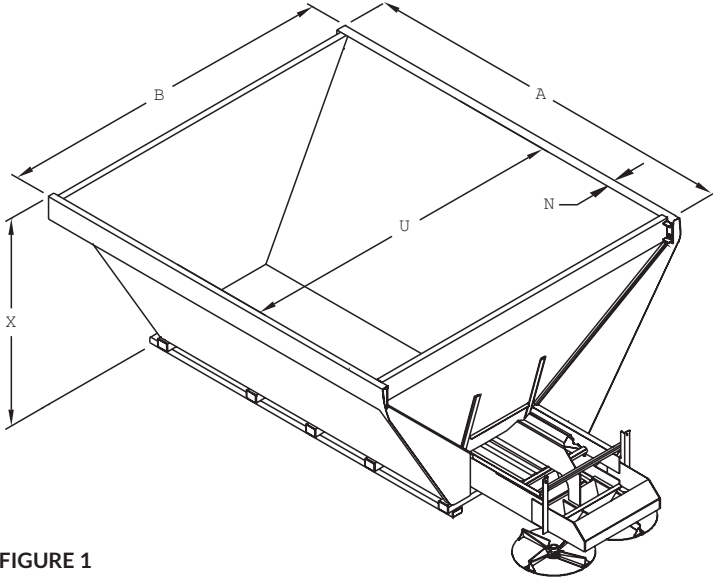


FIGURE 1

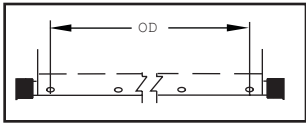
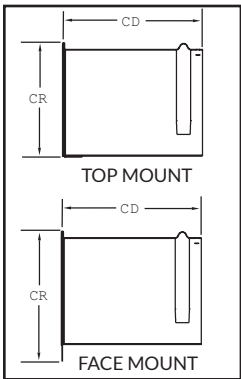


FIGURE 2



## CONTACT INFORMATION

G07BD-0512

NAME \_\_\_\_\_  
 ADDRESS \_\_\_\_\_  
 EMAIL \_\_\_\_\_  
 CITY \_\_\_\_\_ STATE \_\_\_\_\_ ZIP \_\_\_\_\_  
 PHONE \_\_\_\_\_ FAX \_\_\_\_\_  
 BOX/TRAILER MAKE \_\_\_\_\_  
 MODEL \_\_\_\_\_ YEAR \_\_\_\_\_

## BOX DIMENSIONS

A \_\_\_\_\_ UPPER BOX LENGTH  
 B \_\_\_\_\_ UPPER BOX WIDTH  
 N \_\_\_\_\_ TOP RAIL WIDTH  
 U \_\_\_\_\_ INSIDE BOX WIDTH  
 X \_\_\_\_\_ OUTSIDE BOX HEIGHT FROM GROUND

### IF SPREADER:

GRANULAR BIN:  INSIDE BOX  OUTSIDE BOX  
 SPREADER STYLE:  SELF-PROPELLED  AIR SYSTEM  
 SPINNER  PULL-TYPE SPINNER

### IF TENDER:

MOUNTING STYLE:  TRUCK  TENDER  
 SPREADER STYLE:  REAR  SIDE-FOLD REAR  
 REAR OVER BOX

TARP COLOR(S) \_\_\_\_\_

## REPLACEMENT TARPS

TYPE OF TARP BEING REPLACED *See Figure 1 for outer hole distance*

CABLE-LOK™ W/CHANNEL  
 OTHER W/CHANNEL OTHER BRAND \_\_\_\_\_  
 OTHER W/RIVETS No. Rivets \_\_\_\_\_ Outer Hole Distance \_\_\_\_\_

\_\_\_\_\_ FINISHED SEWN TARP LENGTH

\_\_\_\_\_ FINISHED SEWN TARP WIDTH

TYPE OF CAP MEASURED *See Figure 2*

STAINLESS FACE MOUNT  STAINLESS TOP MOUNT  
 GALVANIZED FACE MOUNT  GALVANIZED TOP MOUNT

CR \_\_\_\_\_ END CAP RISE

CD \_\_\_\_\_ END CAP DEPTH Front \_\_\_\_\_ Rear \_\_\_\_\_

\_\_\_\_\_ OUTSIDE END CAP TO END CAP LENGTH

\_\_\_\_\_ BOX WIDTH

\_\_\_\_\_ BOX LENGTH