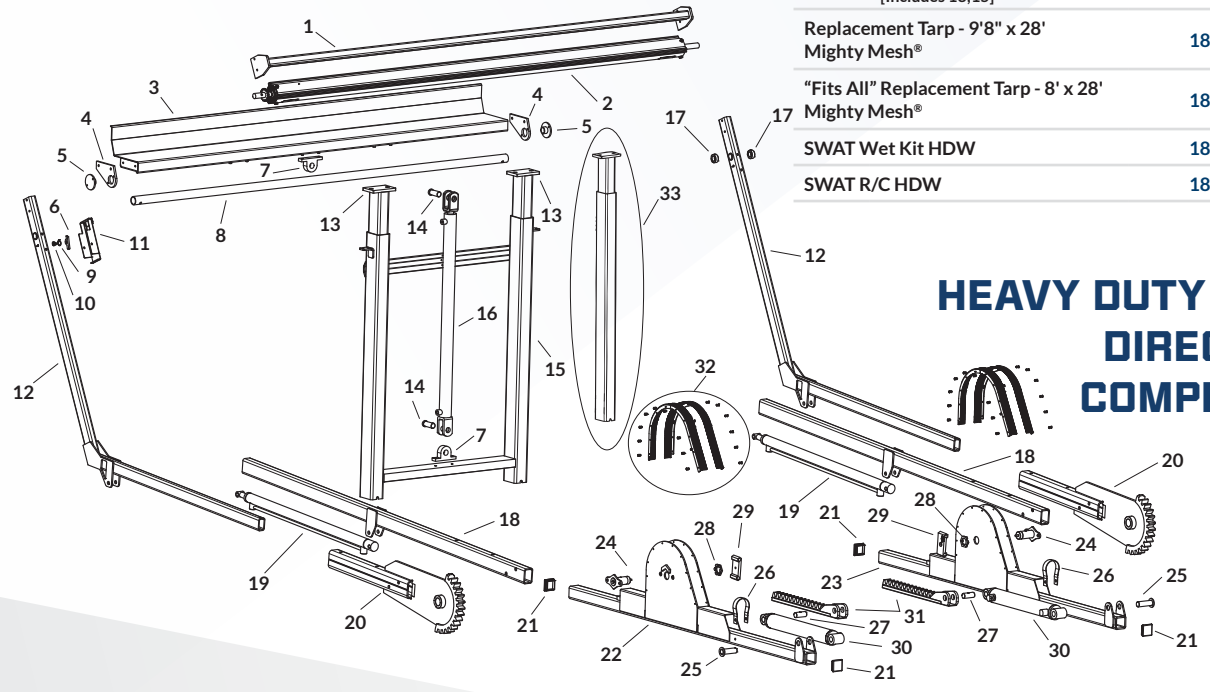


REPLACEMENT PARTS FOR SWAT®

NO.	DESCRIPTION	DONOVAN P/N	COMPETITOR P/N	NO.	DESCRIPTION	DONOVAN P/N	COMPETITOR P/N
1	Stabilizer Bar	1808873	HR4753	19	Lower Arm Cylinder - 36" Stroke	1808892	HR4752
2	Replacement Roller Bar	1803805	H7002C	20	Pivot Gear Arm	1808887	HR4760
3	Tarp Roll Base Rest	1808872	HR4505-2	21	Square End Plug	1808846	HR4548A
4	Tarp Tube Bracket	1808866	HR4756	22	Complete Gear/Pivot Assembly - Left Side	1809355	HR4762A
5	Tarp Tube Cap	1809148	HR4757	23	Complete Gear/Pivot Assembly - Right Side	1809360	HR4761A
6	Ratchet Pawl	1809209	HR4788	24	Pivot Pin Assembly	1809168	A3881
7	Gantry Cylinder Clevis Eye	1808869	H7032	25	Rack Cylinder Mounting Pin	1808883	A3883
8	Tarp Tube	1808865	HR4758-2	26	Cylinder Loop Strap	1808881	HR4731
9	Pawl Torsion Spring	1808851	HR4786	27	Rack Cylinder Connecting Pin	1809014	D18836
10	Ratchet Pawl Bushing	1808875	HR4787	28	Castle Nut	1809169	HR4785
11	Ratchet Guard Assembly	1809009	HR4789	29	Pivot Hose Guide	1808859	HR4728
12	Upper Arm	1808874	HR4751	30	Rack/Pivot Cylinder - 16" Stroke	1808890	HR4719
13	Gantry Telescoping Leg	1808871	HR4512	31	Rack Gear	1808886	A3868B
14	Clevis Pin - 1" OD	1809013	H7062	32	Brush Replacement Kit [Includes 2 Brushes w/ Rivets]	1809776	N/A
15	Gantry Base Frame	1808868	N/A	33	Gantry w/ Telescopic Legs [Includes 13;15]	1809687	HR4511
16	Gantry Cylinder - 36" Stroke	1808891	HR4520		Replacement Tarp - 9'8" x 28' Mighty Mesh®	1801640	HR4616
17	1" Shaft Locking Collar	1808855	HR4624		"Fits All" Replacement Tarp - 8' x 28' Mighty Mesh®	1801686	N/A
18	Lower Arm	1808879	HR4750		SWAT Wet Kit HDW	1809232	N/A
					SWAT R/C HDW	1809398	N/A



HEAVY DUTY SWAT® PARTS DIRECTLY REPLACE COMPETITOR PARTS!

Contact an Authorized Donovan Distributor Near You!



2309 Shur-Lok St.
Yankton, SD 57078
P: 800-327-8287
www.donovan-tarps.com
f t

W003GF-0819

ROLL-OFF TARP SYSTEM



SWAT® is a fully adjustable automatic tarping system for 15 to 40 cubic yard containers. Designed with the end user in mind, the SWAT® was engineered to surpass all established technologies in the industry, thereby delivering maximum uptime and safety at a competitive price.



DEMAND THE BEST



Gear and Rack

Precision-cut/built gear and rack ensures smooth, synchronous arm movement as intended. Eliminates gear slippage and pivot arm twisting. Increased longevity/decreased downtime.



Flanged & Bolted Gear Pin

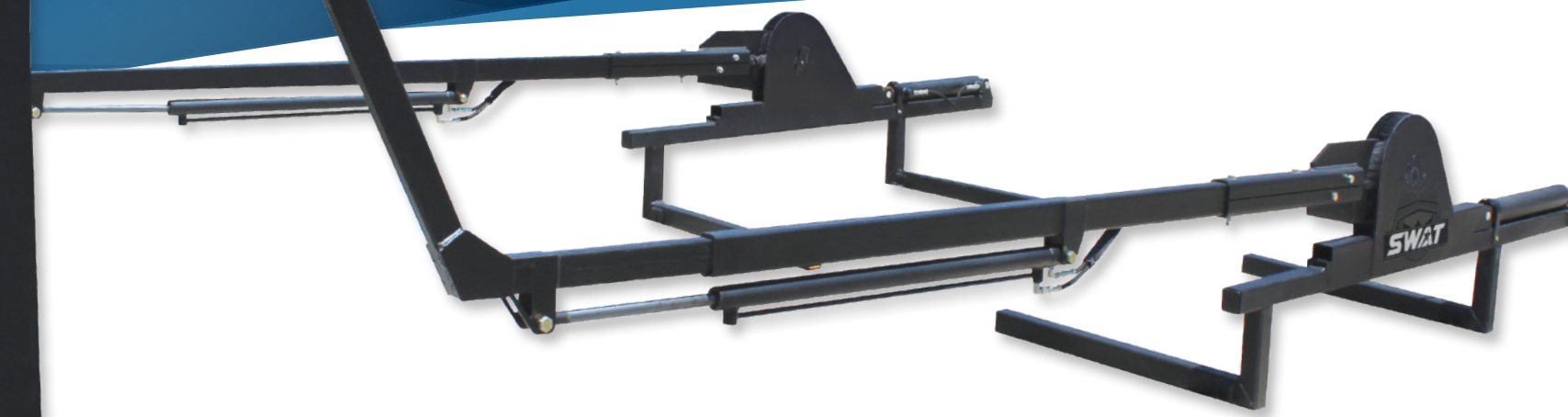
A flanged gear pin is bolted to the pivot housing. This prevents pin loss and enhances pivot arm security and smooth rotation.

BENEFITS

- SWAT® replacement parts are completely compatible with competitor rack and pinion system parts.
- Powder-coated parts provide premium finish and protection.
- 3/16" A500B steel arms, gussets and brackets engineered with exceptional durability to withstand demands of the industry.
- Low-profile arms avoid damage from wide containers and compactors.
- Quick-release tarp tube and standard tarp spline make tarp replacement a quick and easy, 1-person job.

FEATURES

- Hard-Pipe Cylinders**
 - The hard-pipe cylinders with nitride coated rods reduce chances of hose damage.
- Mighty Mesh®**
 - The strongest truck tarp material on the market today.
- LiteALL® (Option)**
 - Durable light with diecast aluminum housing.
- Floodlight Mounting Brackets**
 - Gantry light mounting brackets and wiring protection tube are pre-installed.
- Tower Mount Plates**
 - Wider tower mount plates fit more hoist configurations, cutting down on installation time.



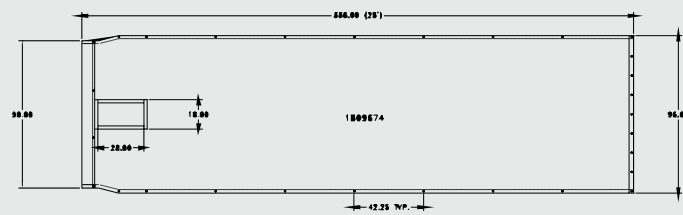
NO.	NAME	P/N	DESCRIPTION
1	SWAT SYS KIT W/8FT X 28 FT TARP	1809616	SWAT System Base W/8' X 28' Tarp
2	SWAT SYS KIT W/9FT8 X 28FT TARP	1809617	SWAT System Base W/9'-8" X 28' Tarp
3	SWAT SYS KIT_WET_W/8FT X 28FT TARP	1809618	SWAT System Wet Kit W/8' X 28' Tarp
4	SWAT SYS KIT_WET_W/9FT8 X 28FT TARP	1809619	SWAT System Wet Kit W/9'-8" X 28' Tarp
5	SWAT SYS KIT_12V S/C_W/8FT X 28FT TARP	1809621	SWAT System 12V Self Cont Kit W/8' X 28' Tarp
6	SWAT SYS KIT_12VS/C_W/9FT8 X 28FT TARP	1809622	SWAT System 12V Self Cont Kit W/9'-8" X 28' Tarp
7	SWAT SYS KIT W/8FT X 28FT TARP_HL	1809678	SWAT System Base W/8' X 28' Hook Lift Tarp
8	SWAT SYS KIT W/9FT8 X 28FT TARP_HL	1809679	SWAT System Base W/9'-8" X 28' Hook Lift Tarp
9	SWAT SYS KIT_WET_W/8FT X 28FT TARP_HL	1809680	SWAT System Wet Kit W/8' X 28' Hook Lift Tarp
10	SWAT SYS KIT_WET_W/9FT8 X 28FT TARP_HL	1809681	SWAT System Wet Kit W/9'-8" X 28' Hook Lift Tarp
11	SWAT SYS KIT_12V S/C_W/8FT X 28FT TARP_HL	1809682	SWAT System 12V Self Cont Kit W/8' X 28' Hook Lift Tarp
12	SWAT SYS KIT_12V S/C_W/9FT8 X 28FT TARP_HL	1809683	SWAT System 12V Self Cont Kit W/9'-8" X 28' Hook Lift Tarp

Self-Contained Remote



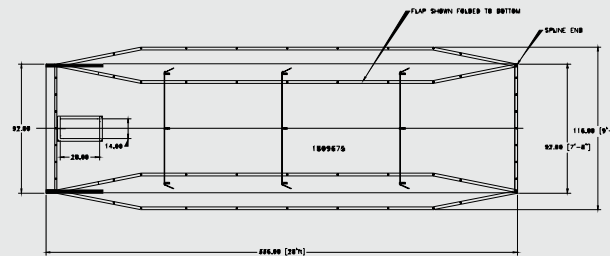
The SWAT® is now available with a new self-contained remote control, making it the only steel-arm pivot tarp system in the industry with a remote control option. The remote allows drivers to take safer positions with better visibility during tarp operation. Additionally, the self-contained design isolates the tarp's hydraulics, protecting the tarp system from debris or other possible contamination from the truck's hydraulics.

8' x 28' Mighty Mesh® Fits All Tarp (P/N 1801686)



- Rectangular 8' x 28' construction
- Replacement tarp fits all brands of hydraulic roll off tarper
- Made of Mighty Mesh®...strongest tarp mesh available
- Tapered pocket end for ease of installation and enhanced appearance
- Available with hook lift cutouts (shown above)

9' 8" x 28' Mighty Mesh® Flap Tarp (P/N 1801640)



- Made of Mighty Mesh®...strongest tarp mesh available
- Side flaps on tarp extend lateral coverage
- Pre-installed bungee cord retracts flaps for smooth roll up
- Available with hook lift cutouts (shown above)

SWAT® SYSTEM OPTIONS



SYSTEM WARRANTY

3
YEAR*

1
YEAR*

90
DAYS*

STEEL COMPONENTS AND TARP ROLLER SPRING

HYDRAULIC VALVES

TARP

*From original Shur-Co® invoice date. Warranty against defects in material and workmanship. Details included in SWAT® Owner's Manual.