



TARP SYSTEMS, PARTS & TARPS

P/N 1808724 Rev. C

OWNER'S MANUAL

HY-TOWER™ DL

Hy-Tower™ DL
(P/N 1803900)

READ BEFORE INSTALLING

3353 SE GRAN PARK WAY ■ STUART, FL 34997
PHONE 1-800-327-8287 ■ FAX 772-287-0431
www.donovan-tarps.com

SHIPPING. Orders are shipped F.O.B. from the Shur-Co®, LLC sites listed below. No full freight is allowed or prepaid shipment accepted unless quoted and approved in writing prior to acceptance of the order. All shipments are made by the most reasonable means in accordance with size and weight of order, unless specified routing instructions are furnished by the customer. Shipments are made daily via U.P.S. and common carrier. Claims for shortages must be made within 10 days. All claims for damages or loss in transit must be made with the carrier. No collect calls will be accepted. To ensure delivery of orders, we need your full street address and phone number. When you receive your shipment, examine it carefully. Be sure all cartons listed on the delivery sheet are accounted for. Large items may be packaged separately. If a carton is damaged, open it and inspect the contents before signing for delivery. If merchandise is damaged, describe damage on the delivery receipt. Failure on your part to document damaged or missing merchandise on the delivery receipt releases the carrier of all liability; repair or replacement will be the customer's responsibility.

WARRANTY. We warrant all new products are free of defects in materials and workmanship.* This warranty is effective if products are properly installed and used for the purpose for which they were intended and applies to the original buyer only. Except as set forth above or in any product-specific warranty documentation, we make no other warranties, express or implied, including but not limited to warranties of merchantability of fitness for a particular use.

Returns of a product for warranty must be accompanied by a Return Merchandise Authorization number (RMA#), obtained by calling Customer Service at 866-748-7435, and sent, with freight paid by us, to Shur-Co®, LLC, 2309 Shur-Lok St., PO Box 713, Yankton, SD 57078. All products returned without an RMA# will be refused. When we issue the RMA#, we will also issue a call tag to have UPS (or other freight company) pick up the product. C.O.D. returns not accepted. We will pay no storage fees for a warranty product return prior to pick by us or the freight company. If a warranty product return is scheduled to be picked up by us, we will pick up the product at our earliest convenience.

If a product returned is found, in our judgement, to be defective in material or workmanship, our obligation under this warranty is limited to the repair or replacement of the product, which will be made by us. Repair or replacement will be at our discretion, with replacements being made using current products performing in the equivalent function. Labor charges, other than those incurred at our factory, including, but not limited to, any labor to install a repaired or replacement product, are not covered under this warranty. All expenses associated with delivering defective products to our factory and delivering repaired or replacement products from our factory to the owner will be paid by us.

If the product returned is found, in our judgement, to be non-warrantable, the owner will be contacted to authorize repair work, purchase of a replacement product or return of the product, all of which will be at the owner's expense. Payment authorization must be received by us before any non-warrantable product is repaired, replaced or returned. All expenses associated with delivering the repaired non-warrantable product, a replacement product or the non-warrantable product from our factory to the owner will be paid by the owner.

In no event will we be liable for any damages of any kind to person, product or property, including but not limited to indirect, incidental, special, consequential or punitive damages, or damages for loss of profits or revenue, even if we have been advised of the possibility of such damages. There are no warranties for used products or products that have been repaired, altered, modified or subjected to misuse, negligence or accident. We will not repair or replace products that fail or malfunction due to ordinary wear and tear, except as expressly noted in a product-specific warranty. Use of non-Shur-Co®, LLC parts in conjunction with Shur-Co®, LLC products will void this product warranty.

*Certain products have specific warranties that differ from this warranty, for example motors and electronics. Product-specific warranty documentation is available for these items. In the event of a conflict between this warranty and a product-specific warranty, the product-specific warranty will govern.

RETURN POLICY. All sales final. See WARRANTY above for return details.

OTHER. All prices, product listings, sizes, weights and manufacturing details are subject to change without notice. No person is authorized to modify the foregoing conditions of sale whatsoever.

SHUR-CO®, LLC SERVICE AND DISTRIBUTION CENTERS

Corporate HQ and Outlet Store

SHUR-CO® of SOUTH DAKOTA

2309 Shur-Lok St., PO Box 713, Yankton, SD 57078
Ph 800.474.8756 | Fax 605.665.0501

SHUR-CO® of FLORIDA

3353 SE Gran Park Way, Stuart, FL 34997
Ph 800.327.8287 | Fax 772.287.0431

SHUR-CO® of IDAHO

610 N. 16th Ave., Caldwell, ID 83607
Ph 866.356.0246 | Fax 217.877.8270

SHUR-CO® of ILLINOIS

3993 E. Mueller Ave., Decatur, IL 62526
Ph 866.356.0246 | Fax 217.877.8270

SHUR-CO® of IOWA

3839 Midway Blvd., Ft. Dodge, IA 50501
Ph 866.356.0245 | Fax 515.576.5578

SHUR-CO® of MICHIGAN

5100 Lakeshore Dr., Lexington, MI 48450
Ph 800.327.8287 | Fax 772.287.0431

SHUR-CO® of NORTH DAKOTA

1746 4th Ave. NW, West Fargo, ND 58078
Ph 877.868.4488 | Fax 701.277.1283

SHUR-CO® of OHIO

4676 Lynn Rd.
Rootstown, OH 44266
Ph 866.356.0242 | Fax 330.297.5599

SHUR-CO® UK, Ltd.

Unit 41 Rochester Airport Estates
Laker Rd., Rochester, Kent ME1 3QX
Ph +44 (0)1795.473499
Fax +44 (0)871.272.8278

ShurTite™ Service Centers

SHUR-CO® of CANADA

490 Elgin St., Unit #1
Brantford, Ontario N3S 7P8
Ph 800.265.0823 | Fax 519.751.3997

SHUR-CO® of SIOUX FALLS

47184 258th St., Suite B
Sioux Falls, SD 57107
Ph 844.573.9322 | Fax 605.543.5469

SHUR-CO® of ILLINOIS

Ph 866.356.0246 | Fax 217.877.8270

SHUR-CO® of OHIO


Ph 866.356.0242 | Fax 330.297.5599

For more information, log on to our website:

www.shurco.com

MESSAGE TO OWNERS

Thank you for buying this tarping system from Shur-Co®. We appreciate your confidence in our products. Please read and thoroughly understand this manual before installing and/or operating this system.

Pay particular attention to important safety and operating instructions, as well as warnings and cautions. The hazard symbol  is used to alert users to potentially hazardous conditions and is followed by caution, warning or danger messages.

Failure to READ AND FOLLOW INSTRUCTIONS could result in failure of your tarping system and/or personal injury. Your trailer requirements may, however, call for minor variations to these instructions.

Please inspect your tarping system periodically. Repair or replace worn or damaged parts to your system.

QUESTIONS? CALL OUR HELP LINE:
1-800-327-8287
 MON-FRI 8 AM-5 PM EASTERN TIME

SAFETY

We at Shur-Co® are concerned with your safety and the safety of all those operating this system. Therefore, we have provided safety decals at various locations on your tarping system. Keep decals as clean as possible at all times. Replace any decal that has become worn or damaged, painted over or otherwise difficult to read. Replacement decals are available through Shur-Co® dealers.

SAFETY INSTRUCTIONS

- 1. Always wear safety glasses during installation and operation.**
- 2. Stay clear of moving parts.**
- 3. Do not operate under low-hung power lines. Always check for overhead obstructions before opening or closing.**
- 4. Open and close tarp only at job site.**
- 5. Place safety decals in visible locations. Replace worn or damaged decals.**
- 6. No other use of this system is authorized, except as designed.**

RUST PREVENTION

To prevent rust, paint all exposed metal, such as weld seams and/or metal exposed by grinding or cutting, with corrosion-resistant paint.

TABLE OF CONTENTS

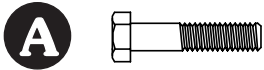
Hardware Identification..... 1
 Clearance Requirements..... 2
 Base Assembly Installation..... 2
 Housing Assembly Installation..... 3
 Hydraulic Assembly Installation..... 5-6
 Roller Bar Tension..... 7
 Warning Flasher Installation..... 8
 Tarp & Pull Bar Installation..... 9
 Running System Off Truck's Hydraullic System..... 10
 Replacement Parts..... 11-13
 Operating Instructions..... 14-15

TOOLS REQUIRED

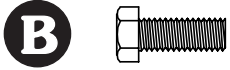
1. Wrenches - 1/2", 5/16", 9/16", 3/4"
2. Ratcheting Socket Wrench
3. Sockets - 1/2", 9/16", 3/4"
4. Allen Wrenches - 1/8", 5/32", 3/16"
5. Drill Bits (metal cutting) - 5/16", 3/8", 1/2", 3/16"
6. Center Punch
7. Hammer
8. Tape Measure
9. Flat Head or Phillips Screwdriver
10. Grinder
11. Air or Electric Impact Driver
12. Metal Saw
13. Steel Welder
14. Hex Driver Bit - 5/16"
15. Phillips Driver Bit - #2

MAINTENANCE

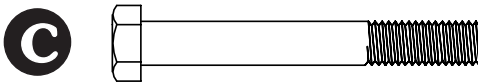
- Spray all bearings and drive chain with penetrating oil as needed.
- Brush springs with steel brush weekly to remove dirt, and spray with penetrating oil.
- Tighten any loose bolts.
- Replace damaged/bent parts.
- Replace worn or broken springs.
- Replace/repair worn or damaged tarps.



1800972 Cap Screw - 5/16" x 1-1/2"



1800795 Cap Screw - 3/8" x 1" Grade 5



1801024 Cap Screw - 1/2" x 4"



1800990 Lock Nut - 3/8"



1800993 Nylon Lock Nut - 3/8"



1800995 Lock Nut - 1/2"



1800991 Lock Washer - 3/8"



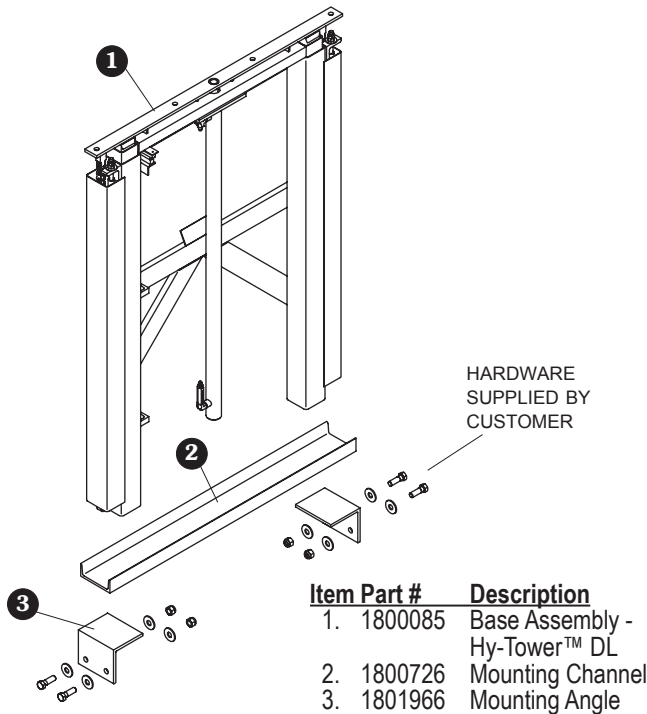
1800994 Flat Washer - 3/8"



1800996 Flat Washer - 1/2"

TARP INSPECTION

Tarp length: Measure tarp length with slight tension applied.
Call your local dealer or call Shur-Co® FL Customer Service at 1-800-327-8287.

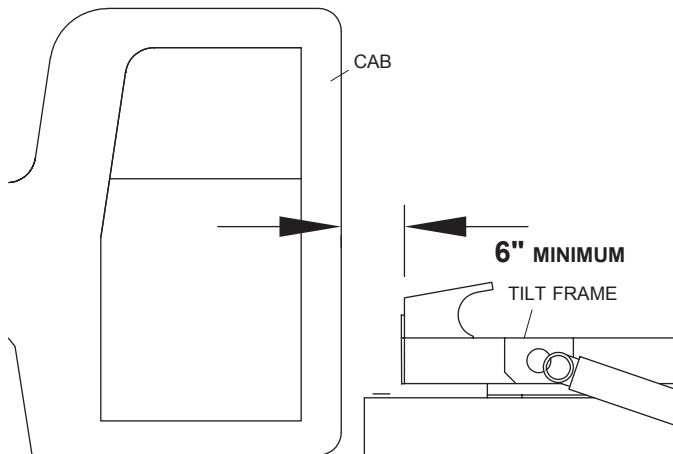


CLEARANCE REQUIREMENTS

Minimum 6" clearance between cab and tilt frame is required. Adjust components, locations as needed to achieve 6" of clearance.

Fabricate mounting brackets to fit if hydraulic hoses, exhaust or other components on truck interfere with installation of Donovan-supplied mounting brackets.

Install additional gussets for optimum strength and durability.

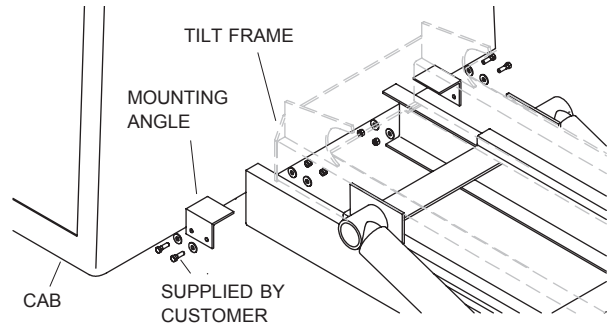


CAUTION

To prevent damage to and ensure proper operation of Hy-Tower™ DL system, center base assembly between cab and hoist with at least 6" of clearance.

BASE ASSEMBLY INSTALLATION

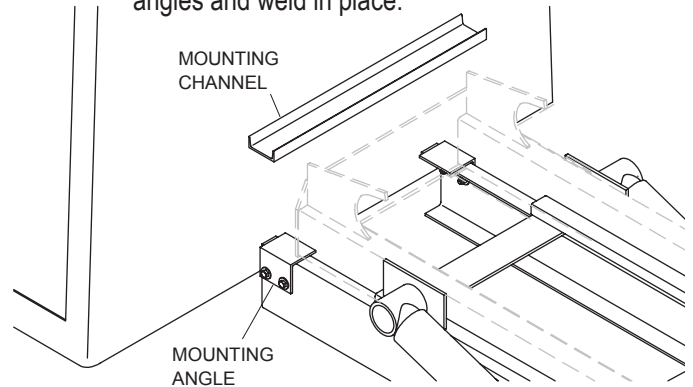
STEP 1: Locate mounting angles on both sides of truck frame, centering brackets between cab and tilt frame. Align angles on frame, mark and drill 1/2" holes and fasten with 1/2" grade 8 bolts, flat washers and lock nuts (not supplied) or weld in place (see Caution).



CAUTION

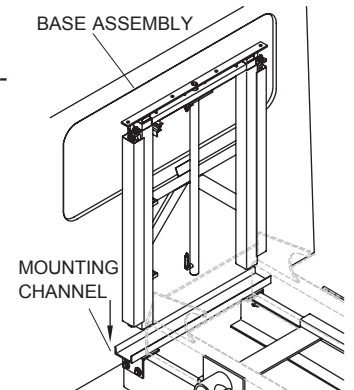
Welding components to truck frame may weaken frame and will void warranty on truck. Weld angle brackets to existing brackets on frame when possible. When not possible, drill holes in frame and bolt brackets in place.

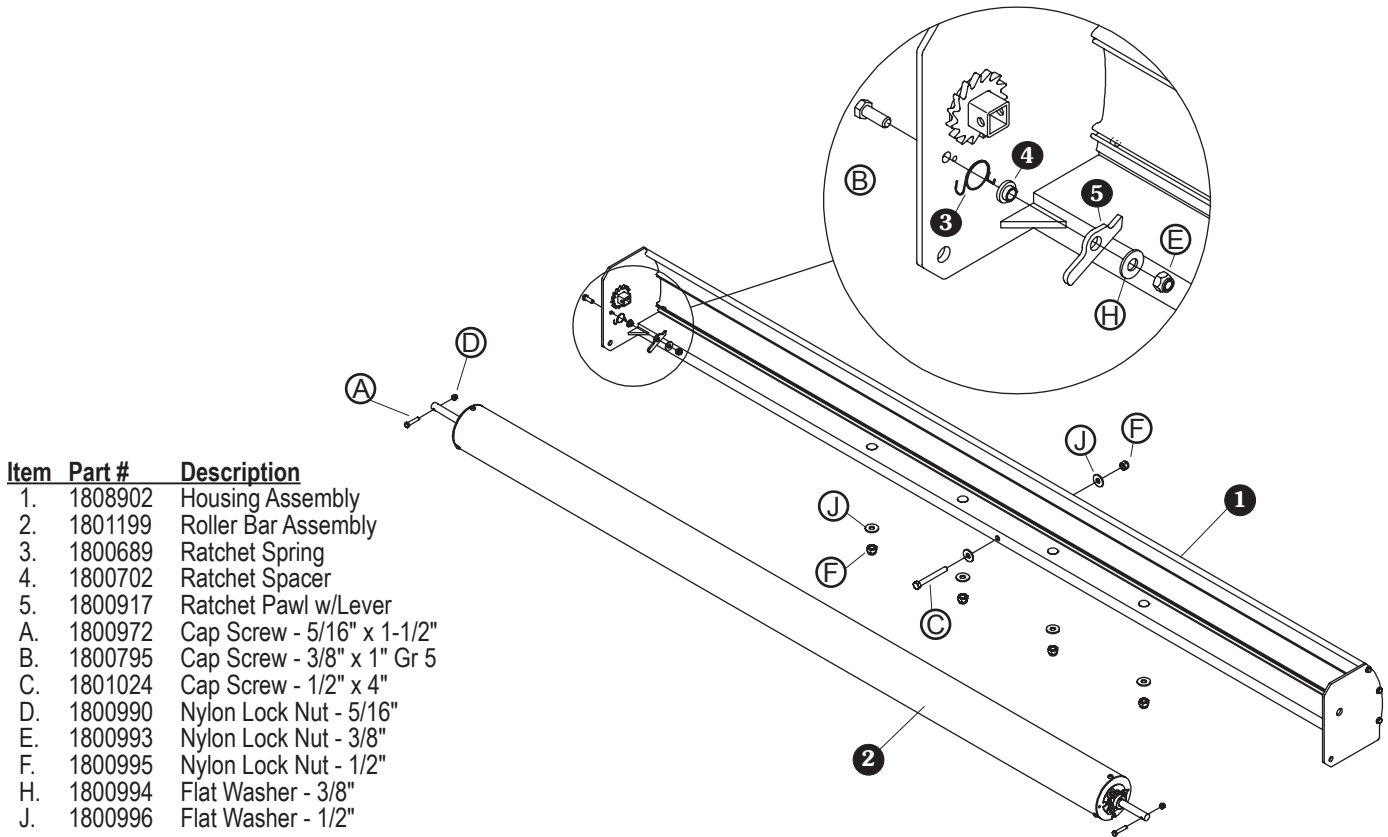
STEP 2: Align and center mounting channel on mounting angles and weld in place.



STEP 3: Square and center base assembly on mounting channel. Weld legs to mounting channel.

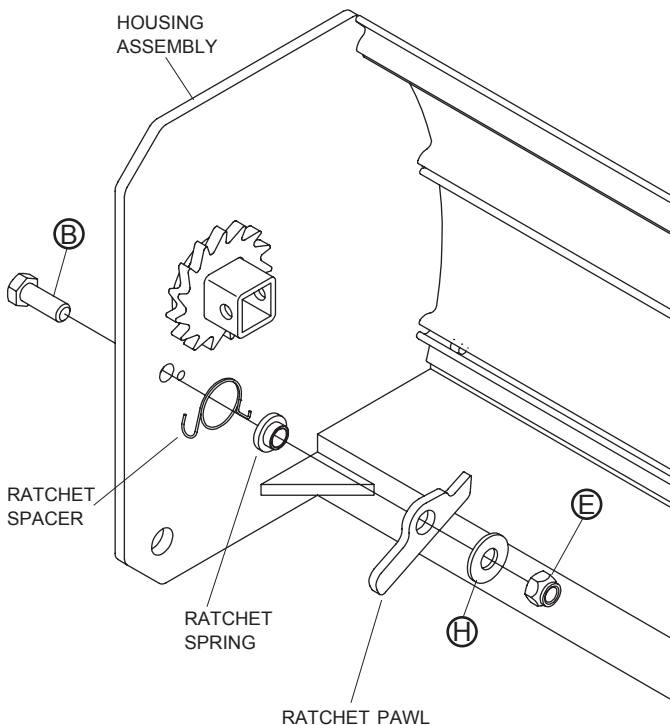
STEP 4: Additional bracing may be required to stabilize base assembly and mounting channel. Brace to tower legs or cross supports. Fasten to chain cover if needed.



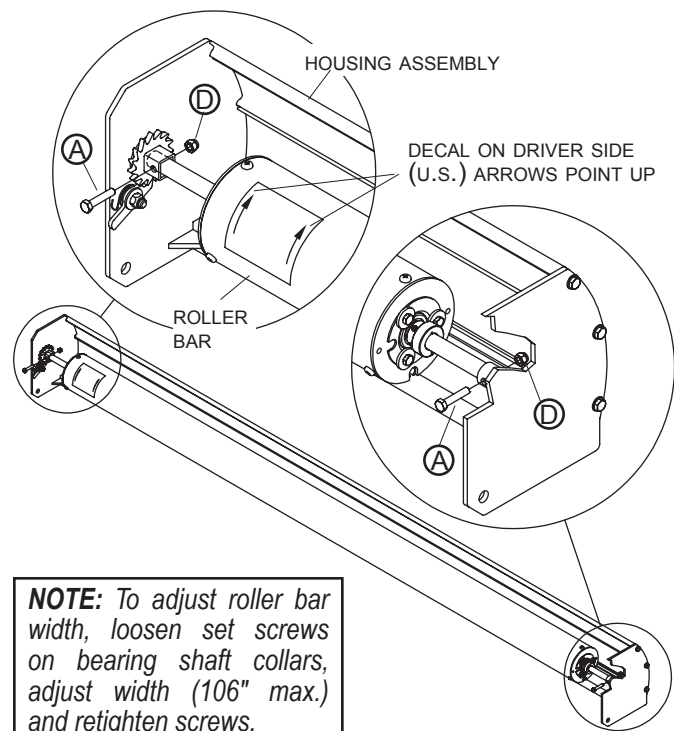


| Item | Part # | Description |
|------|---------|----------------------------|
| 1. | 1808902 | Housing Assembly |
| 2. | 1801199 | Roller Bar Assembly |
| 3. | 1800689 | Ratchet Spring |
| 4. | 1800702 | Ratchet Spacer |
| 5. | 1800917 | Ratchet Pawl w/Lever |
| A. | 1800972 | Cap Screw - 5/16" x 1-1/2" |
| B. | 1800795 | Cap Screw - 3/8" x 1" Gr 5 |
| C. | 1801024 | Cap Screw - 1/2" x 4" |
| D. | 1800990 | Nylon Lock Nut - 5/16" |
| E. | 1800993 | Nylon Lock Nut - 3/8" |
| F. | 1800995 | Nylon Lock Nut - 1/2" |
| H. | 1800994 | Flat Washer - 3/8" |
| J. | 1800996 | Flat Washer - 1/2" |

STEP 1: Assemble ratchet components to housing assembly as shown, using screw **B**, washers **F** and nuts **E**.

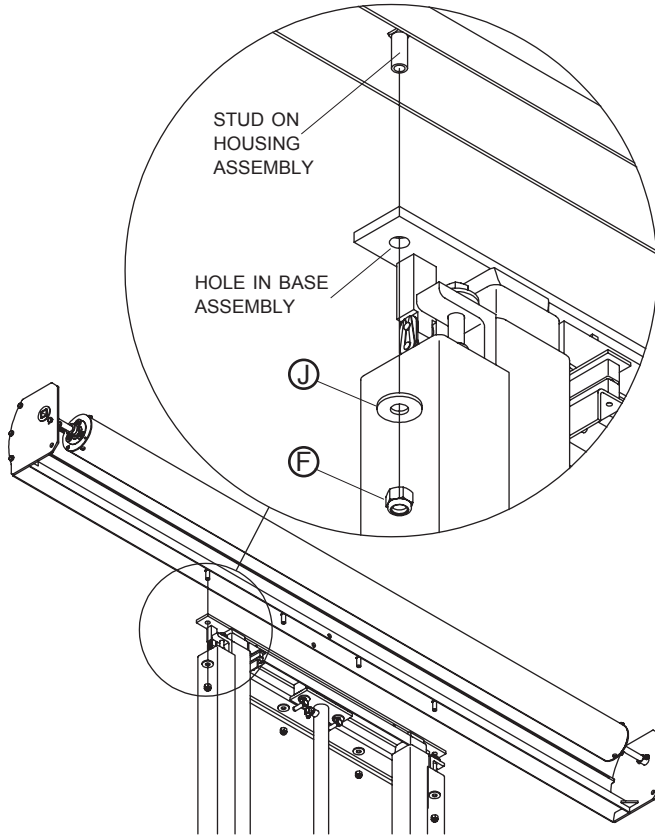


STEP 2: Assemble roller bar to housing, aligning decal on driver side (U.S.) with arrows pointing up. Fasten with screws **A** and nuts **D**.

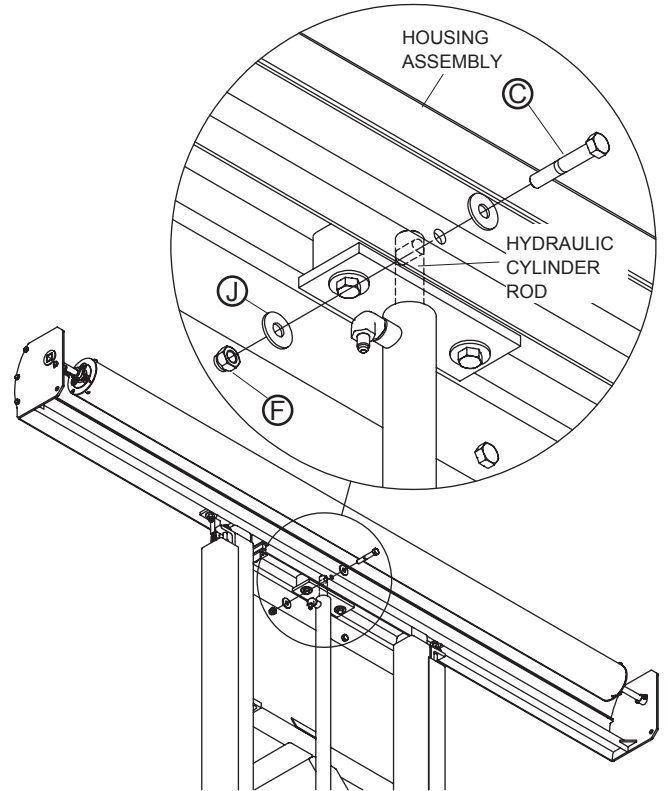


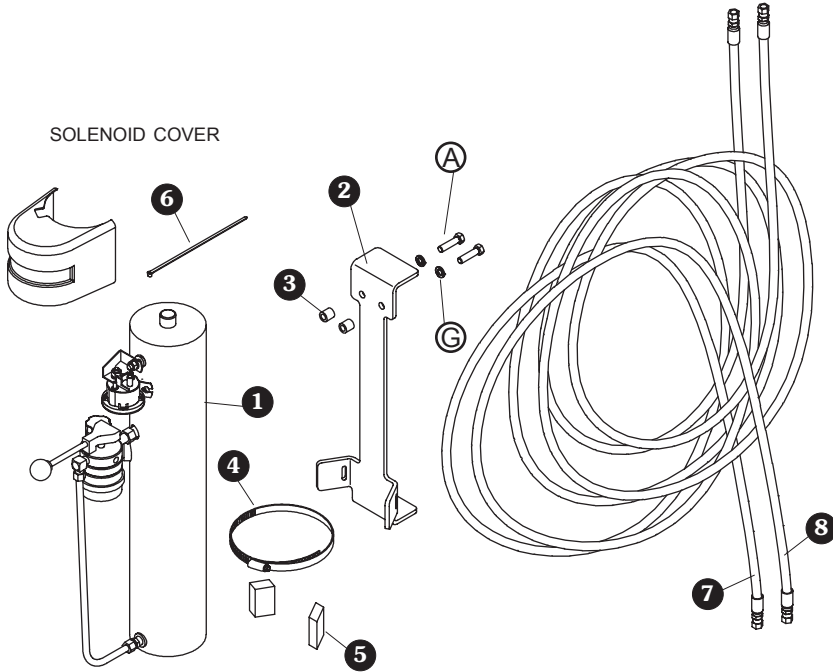
NOTE: To adjust roller bar width, loosen set screws on bearing shaft collars, adjust width (106" max.) and retighten screws.

STEP 3: Insert studs on housing assembly into holes in base assembly. Fasten with washers **J** and nuts **F**.



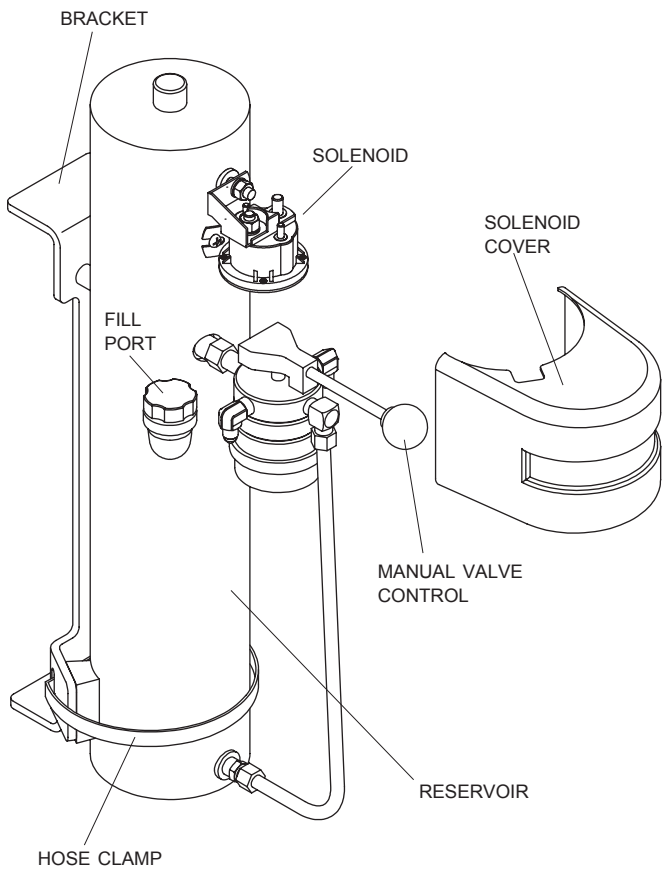
STEP 4: Fasten hydraulic cylinder rod on base assembly to housing assembly with screw **C**, washers **J** and nuts **F**.



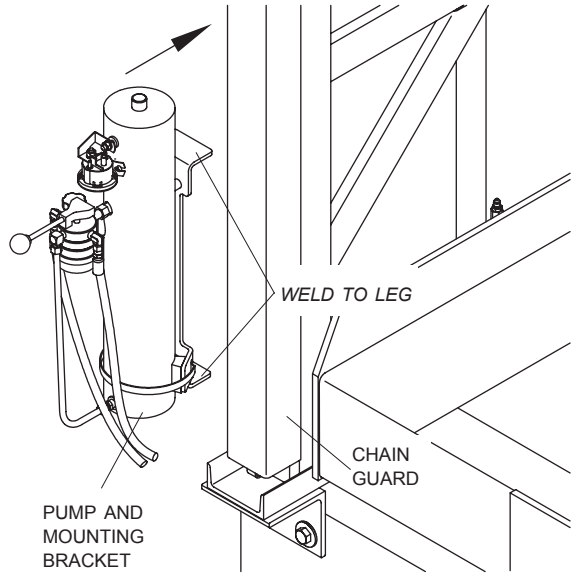


| Item | Part # | Description |
|------|---------|----------------------------|
| 1. | 1800090 | Hydraulic Pump - 12 Volt |
| 2. | 1801623 | Pump Mount Bracket |
| 3. | 1801223 | Spacer Steel Pump Bracket |
| 4. | 1800906 | Hose Clamp - 5" to 7" |
| 5. | 1801125 | Motor Mount Rubber Tire |
| 6. | 1800976 | Cable Tie - 8" |
| 7. | 1801222 | Hydraulic Hose - 9' |
| 8. | 1801221 | Hydraulic Hose - 12' |
| A. | 1800972 | Cap Screw - 5/16" x 1-1/2" |
| G. | 1800991 | Lock Washer - 3/8" |

HYDRAULIC PUMP



STEP 1: Locate pump mount bracket on chain guard or other easily accessible location. Locate bracket so pump will be vertical, with control valve and motor on top and reservoir on bottom as shown.

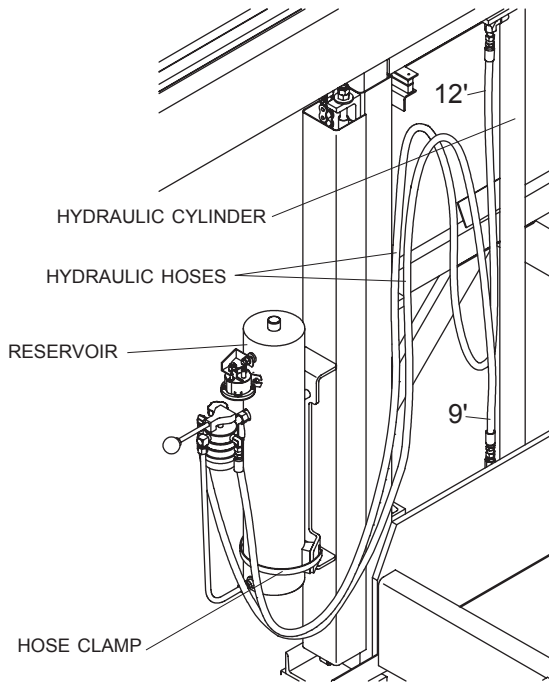


STEP 2: Mark bracket location on trailer. Unfasten and remove hydraulic pump from bracket. Weld bracket in place, then replace and refasten pump.

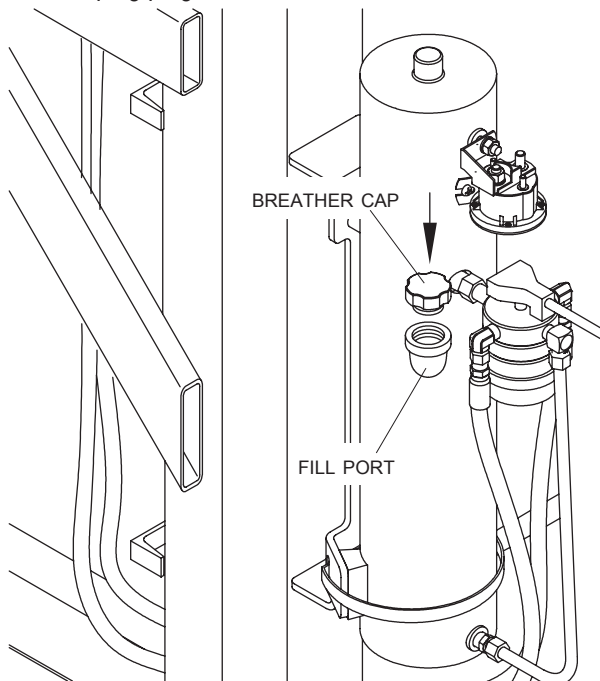
⚠ CAUTION

Welding bracket with pump attached could damage pump.

STEP 3: Connect hoses from hydraulic pump to hydraulic cylinder, making sure hose clamps are tight around reservoir.

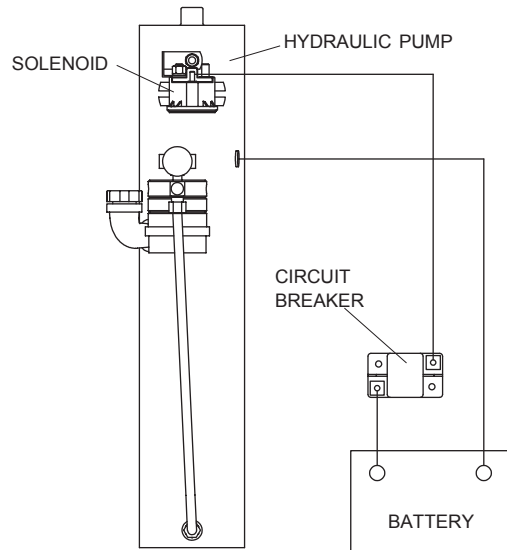


STEP 4: Install breather cap onto fill port. Do not reinstall shipping plug.



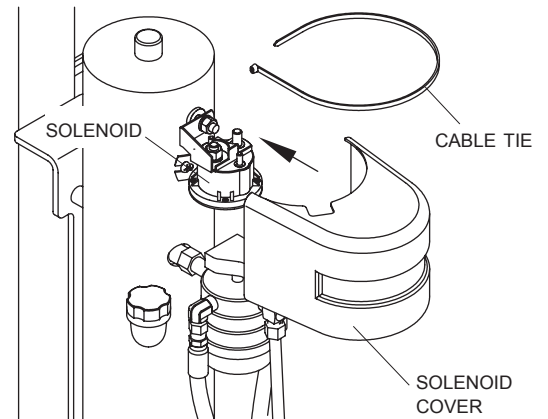
CAUTION
Replace shipping plug with breather cap on hydraulic pump or pump will be damaged.

STEP 5: Connect negative wire from battery to stud on hydraulic pump.

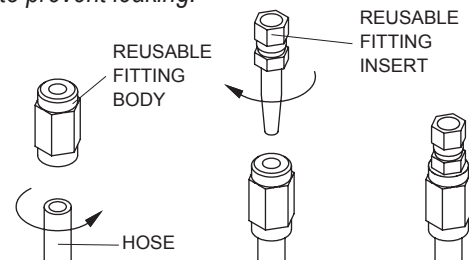


STEP 6: Connect positive wire from battery to circuit breaker and from circuit breaker to solenoid on pump.

STEP 7: Place solenoid cover over solenoid. Secure cover to pump with 8" cable tie.



NOTE: To thread fitting body onto end of hose, turn body counterclockwise until body engages hose about 1". Thread fitting insert onto body, turning clockwise until insert is snug against body. Fitting must be threaded completely onto hoses to prevent leaking.



ROLLER BAR PRE-LOAD TENSION

CAUTION

To avoid possible injury:

Only use 1" wrench to adjust spring tension on roller bar.

Maintain tight grip on wrench at all times.

Always ensure lock pawl is fully engaged in ratchet before releasing wrench.

Do not turn roller bar more than 50 full turns.

Pre-load has been added to roller bar at factory on new systems.

PRE-LOAD FOR TARPS:
Lightweight tarp - 32 turns

METAL HALF RING

STEP 1: Position ring to not interfere with loading/unloading containers or contact ground when frame is fully tilted. For optimal tarp layout, align ring as close to center of tilt frame as possible.

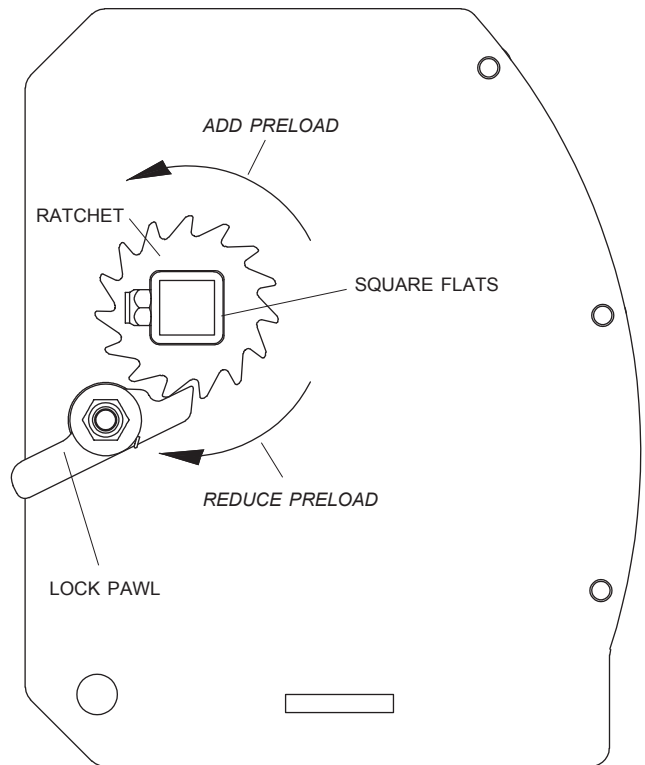
STEP 2: Weld 1/2 metal ring to rear of tilt frame.

NOTE: Before welding ring to tilt frame, locate ring where it will not interfere with loading/unloading containers or contact ground when frame is fully tilted.

ADJUSTMENT ROLLER BAR SPRING TENSION

To increase spring tension, grip square flats with 1" wrench and rotate ratchet clockwise, counting each full rotation of roller bar. Fully engage lock pawl before removing wrench.

To decrease spring tension, grip square flats with 1" wrench and lift lock pawl to disengage from ratchet. Rotate ratchet counter-clockwise, counting each full rotation. Engage lock pawl after each turn of the wrench.



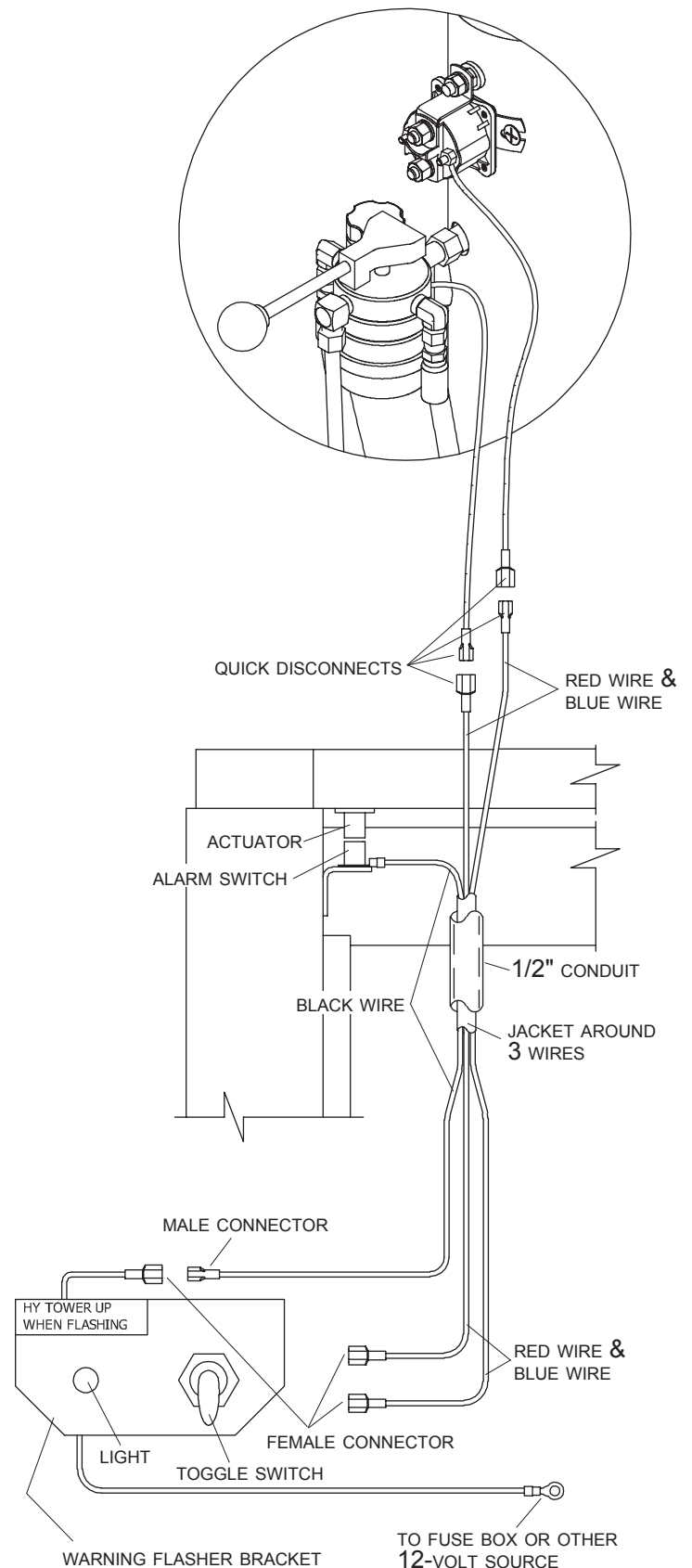
- STEP 1:** Mount warning flasher bracket at visible location in truck cab.
- STEP 2:** Locate three wires in jacket at end of conduit near base of Hy-Tower™ DL. Run wires to warning flasher bracket.
- STEP 3:** Connect black wire from alarm switch to wire connected to light. Connect wires with quick disconnects on wire ends.
- STEP 4:** Connect blue and red wires to quick disconnects on back of toggle switch. Either wire can go to either of two available quick disconnects.
- STEP 5:** Connect red and blue wires located at top of conduit to wires coming from pump. Connect wires with quick disconnects on wire ends.
- STEP 6:** Connect black wire with ring terminal on one end from light to 12 VDC power source.

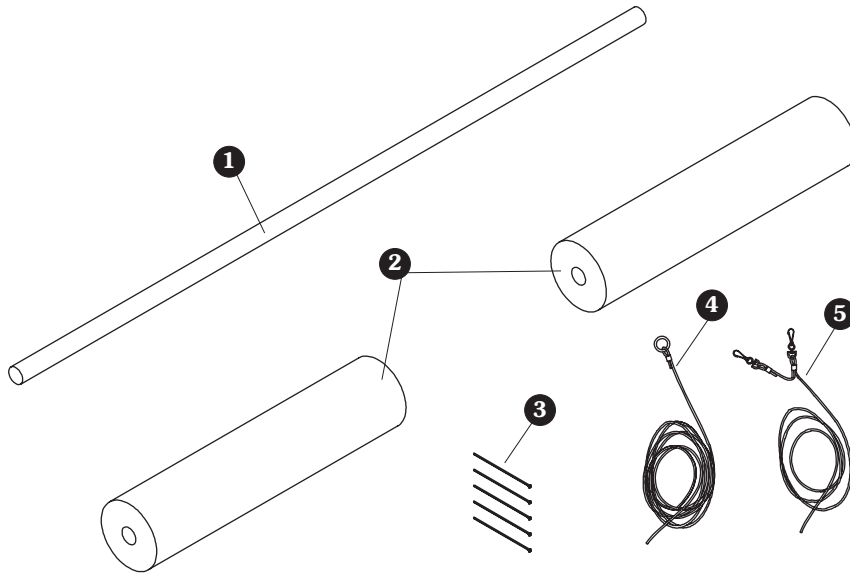
TEST OPERATION

When Hy-Tower™ DL is raised about 1", red light on warning flasher should be blinking.

Place toggle switch in *Off* position and attempt to raise Hy-Tower™ DL. Hy-Tower™ DL hydraulic pump should not start.

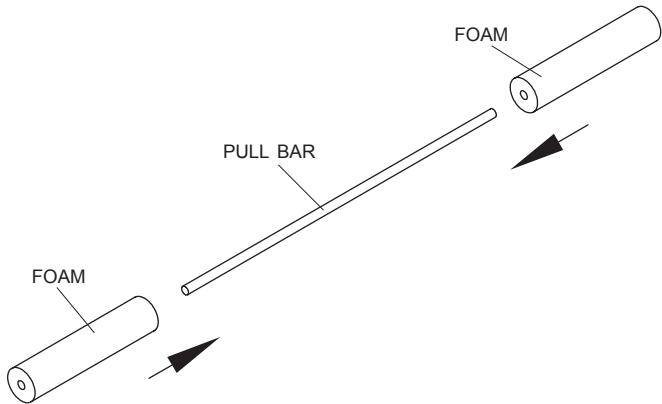
NOTE: place toggle switch in *Off* position when Hy-Tower™ DL is not being raised or lowered.



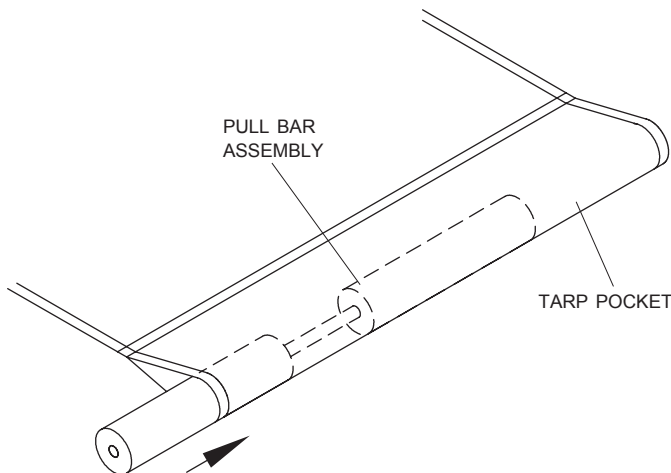


| Item Part # | Description |
|-------------|-------------------|
| 1. 1800820 | Tube |
| 2. 1800821 | Foam |
| 3. 1800976 | Cable Tie - 8" |
| 4. 1801367 | Rope - 3/8" x 50' |
| 5. 1801388 | Rope - 5/16" x 8' |

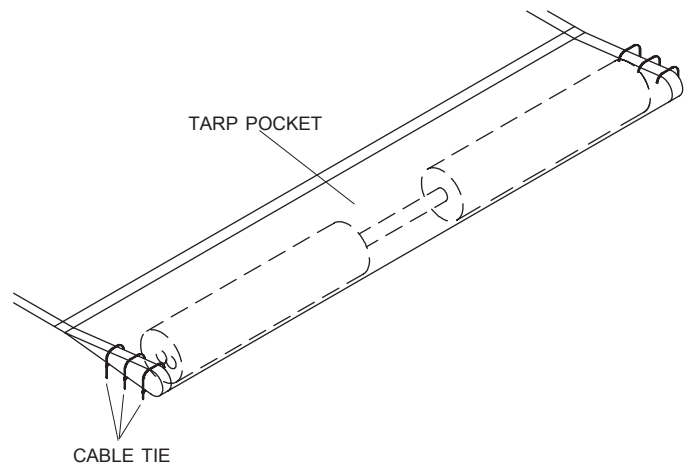
STEP 1: Slide 36" piece of foam over each end of pull bar.



STEP 2: Slide pull bar assembly into tarp pocket.

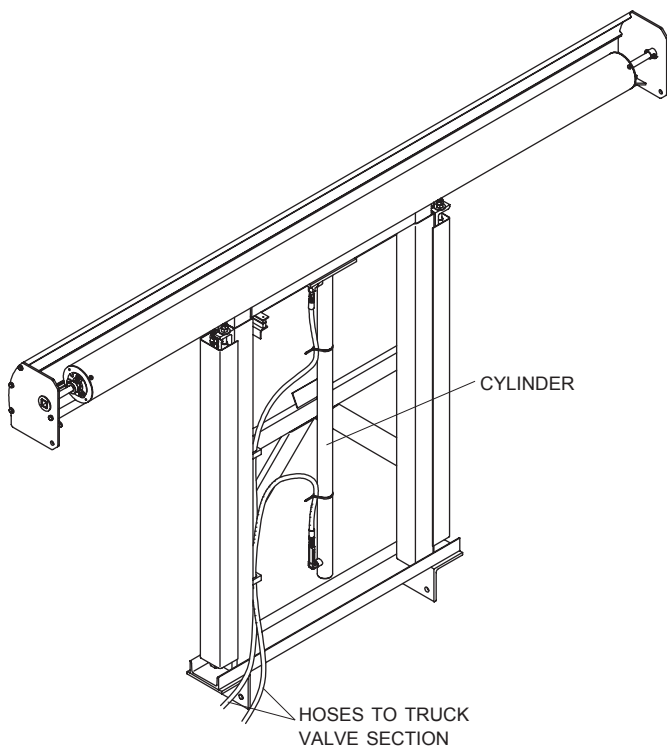


STEP 3: Cable tie each end of tarp pocket closed, installing three cable ties on each end.



NOTE: 1/4" fittings are supplied on cylinder. JIC hoses are not supplied.

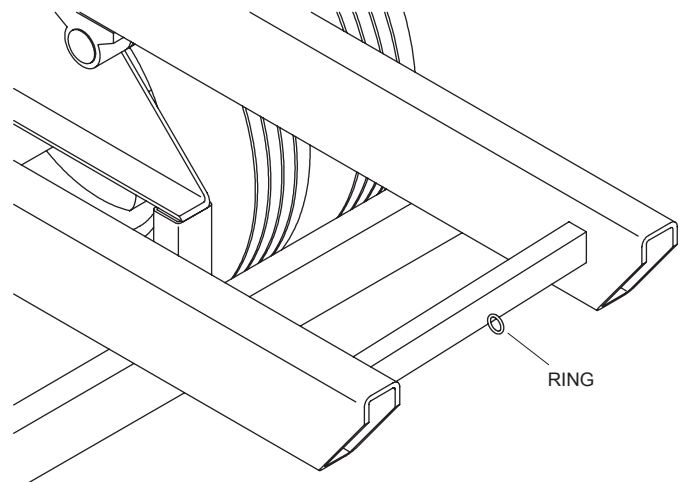
- STEP 1:** Only use 1/4" hoses to supply fluid to cylinder. Larger hoses may allow excessive flow, causing system to malfunction.
- STEP 2:** Cut hoses to length, allowing sufficient length for hoses to reach 42" upward when tower is raised.
- STEP 3:** Tie-wrap both hoses to ensure system operates freely through full range of motion.



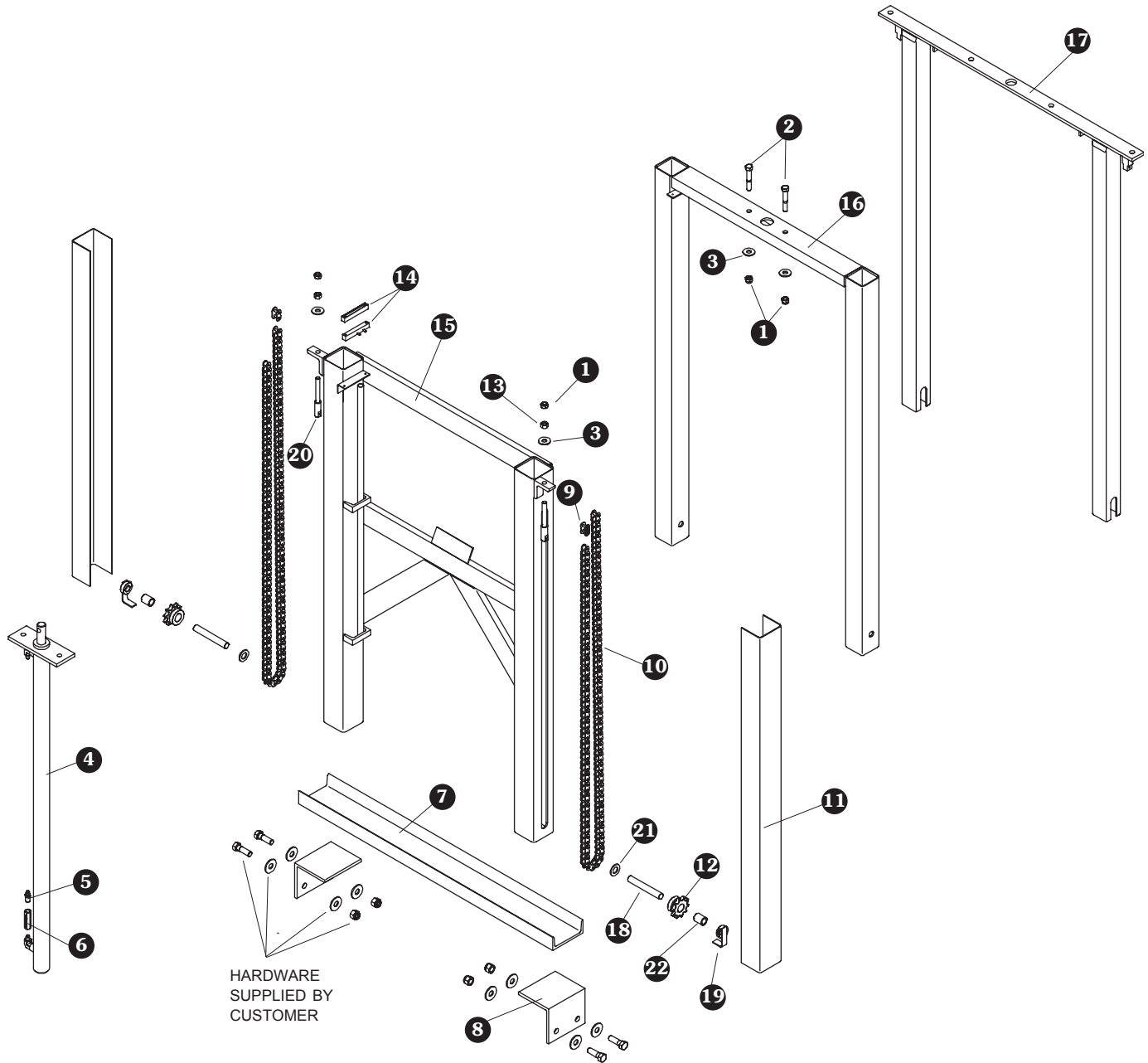
NOTE: Hy-Tower™ system is supplied with double-acting cylinder and must be powered in both directions.

NOTE: When welding ring onto tilt frame, position where it will not interfere with loading and unloading container. Make sure ring will not contact ground when frame is fully filled.

- STEP 4:** Weld metal ring to rear of tilt frame. For best tarp fit, position ring as close to center of tilt frame as possible.

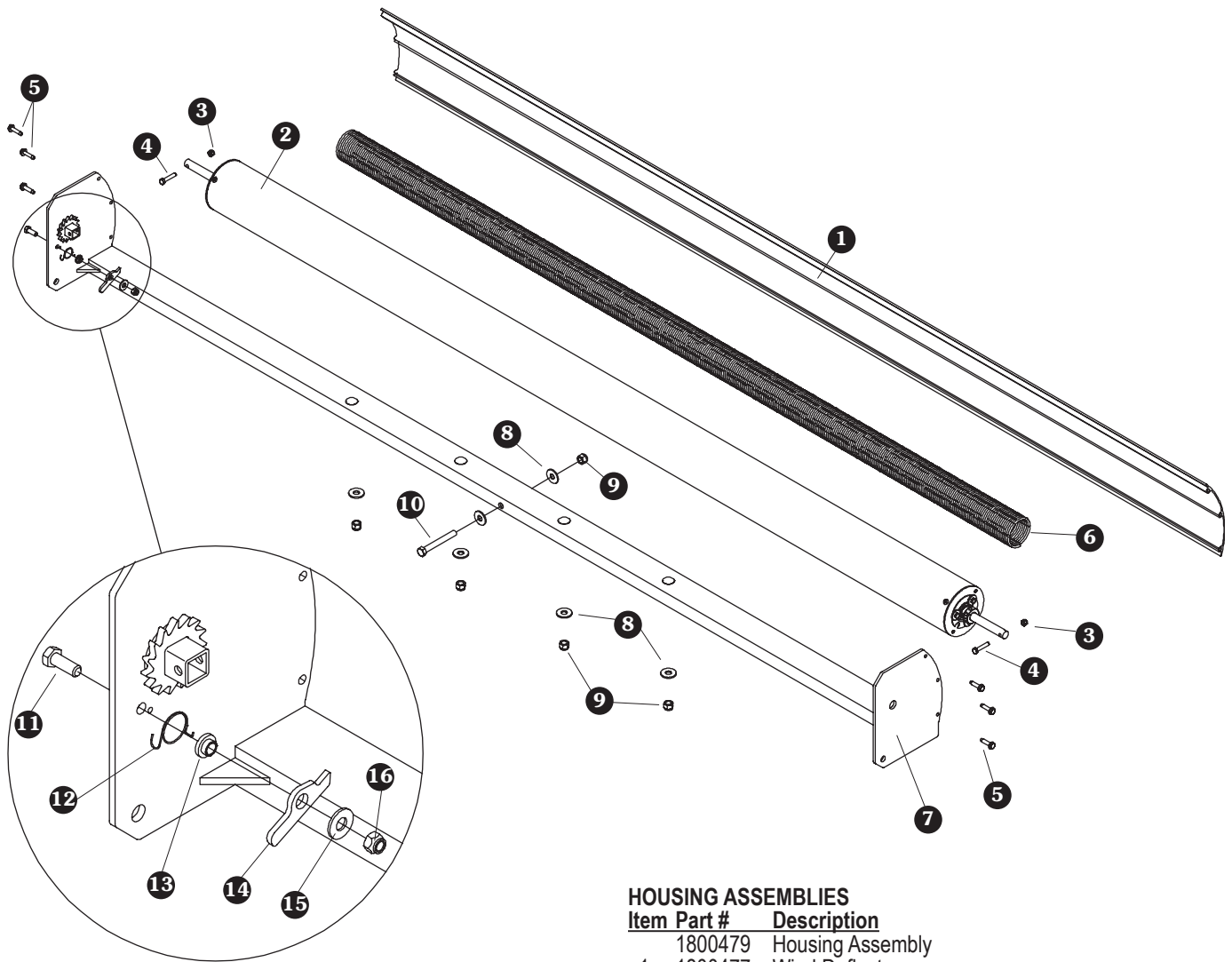


| Item Part # | Description |
|-------------|------------------------------|
| 1. 1800846 | O-Ring - Steel - #3 x 1-1/2" |



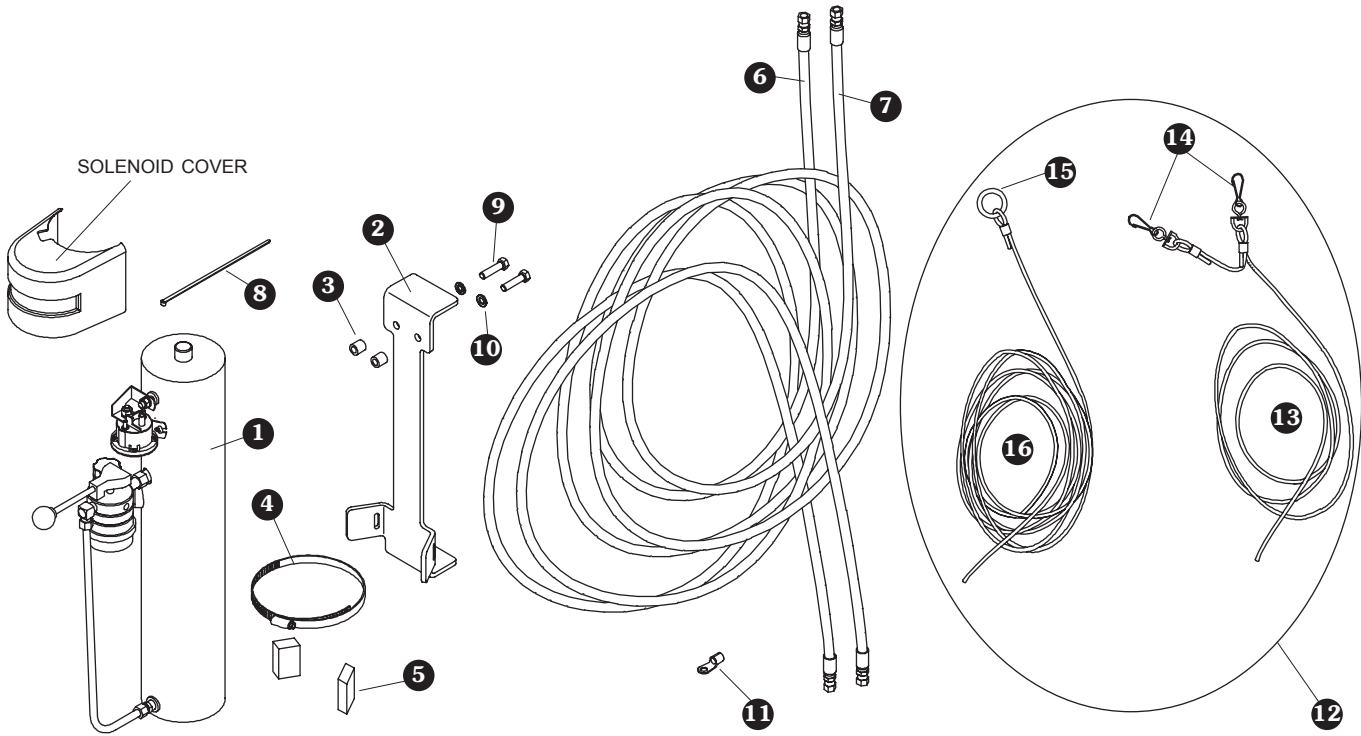
BASE ASSEMBLIES

| Item | Part # | Description | Item | Part # | Description |
|------|---------|------------------------------|------|---------|--------------------------|
| | 1800085 | Base Assembly | 12. | 1800084 | Sprocket - 60 B - 10 x 1 |
| 1. | 1800995 | Lock Nut - 1/2" | 13. | 1800799 | Hex Nut - 1/2" |
| 2. | 1800901 | Cap Screw - 1/2" x 3" | 14. | 1801033 | Alarm |
| 3. | 1800996 | Flat Washer - 1/2" | 15. | 1801209 | Third-Stage D/L |
| 4. | 1800082 | Cylinder - 1-1/2" x 42" x 1" | 16. | 1801212 | Second-Stage D/L |
| 5. | 1801017 | Fitting Hyd - 4MJ 4MP STR | 17. | 1801215 | First-Stage D/L |
| 6. | 1801018 | Pres FLow Comp Hyd - 1-3/4" | 18. | 1801216 | Shaft Sprocket |
| 7. | 1800726 | Mounting Channel | 19. | 1801218 | Chain Guide Assembly |
| 8. | 1801966 | Mounting Angle | 20. | 1801220 | Chain Mount Assembly |
| 9. | 1800080 | Chain #60 - Master Link | 21. | 1801503 | Flat Washer - 3/4" |
| 10. | 1800081 | Chain #60 x 130 P | 22. | 1800724 | Bushing - 3/4" x 1" |
| 11. | 1800683 | Chain Guard | | | |



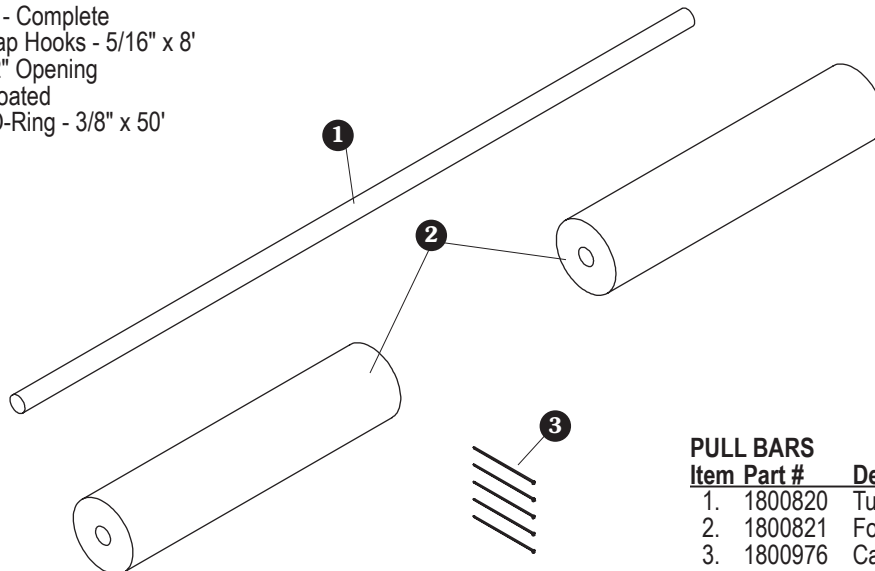
HOUSING ASSEMBLIES

| Item | Part # | Description |
|------|---------|-------------------------------------|
| | 1800479 | Housing Assembly |
| 1. | 1800477 | Wind Deflector |
| 2. | 1801199 | Roller Bar Assembly |
| 3. | 1800990 | Nylon Lock Nut - 5/16" |
| 4. | 1800972 | Cap Screw - 5/16" x 1-1/2" |
| 5. | 1800460 | Self-Tapping Screw - 5/16" x 1-1/4" |
| 6. | 1800083 | Spring |
| 7. | 1800478 | Housing Weldment |
| 8. | 1800996 | Flat Washer - 1/2" |
| 9. | 1800995 | Nylon Lock Nut - 1/2" |
| 10. | 1801024 | Cap Screw - 1/2" x 4" |
| 11. | 1900795 | Cap Screw - 3/8" x 1" - GR 5 |
| 12. | 1800698 | Ratchet Spring |
| 13. | 1800702 | Ratchet Spacer |
| 14. | 1800917 | Ratchet Pawl w/Lever |
| 15. | 1800994 | Flat Washer - 3/8" |
| 16. | 1800993 | Nylon Lock Nut - 3/8" |



HYDRAULIC COMPONENTS

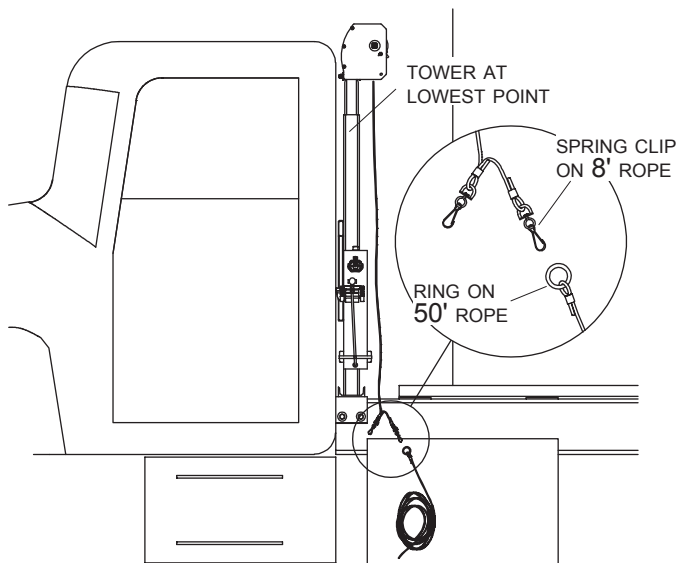
| Item | Part # | Description |
|------|---------|-------------------------------------|
| 1. | 1800090 | Hydraulic Pump - 12 Volt |
| 2. | 1801623 | Pump Mount Bracket |
| 3. | 1801223 | Spacer - Steel Pump Bracket |
| 4. | 1800906 | Hose Clamp - 5" to 7" |
| 5. | 1801125 | Motor Mount Rubber Tire |
| 6. | 1801222 | Hydraulic Hose - 9' |
| 7. | 1801221 | Hydraulic Hose - 12' |
| 8. | 1800976 | Cable Tie - 8" |
| 9. | 1800972 | Cap Screw - 5/16" x 1-1/2" |
| 10. | 1800991 | Lock Washer - 3/8" |
| 11. | 1800158 | Ring Terminal - 3/8" x 4 Ga. |
| 12. | 1801009 | Rope Assembly - Complete |
| 13. | 1801388 | Pull Rope w/Snap Hooks - 5/16" x 8' |
| 14. | 1800847 | Steel Snap - 1/2" Opening |
| 15. | 1800846 | O-Ring - Zinc Coated |
| 16. | 1801387 | Nylon Rope w/O-Ring - 3/8" x 50' |



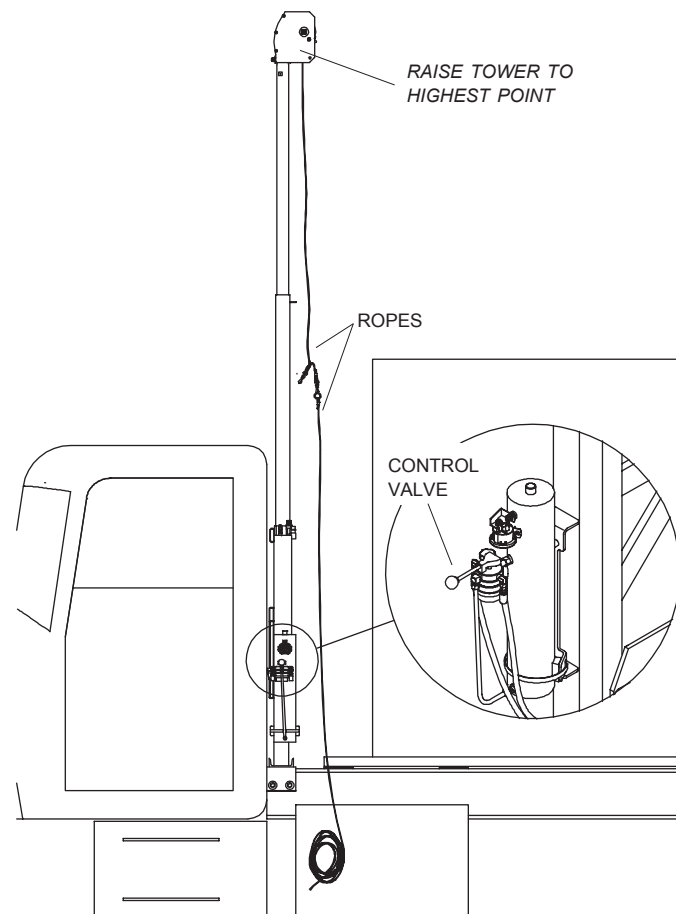
PULL BARS

| Item | Part # | Description |
|------|---------|----------------|
| 1. | 1800820 | Tube |
| 2. | 1800821 | Foam |
| 3. | 1800976 | Cable Tie - 8" |

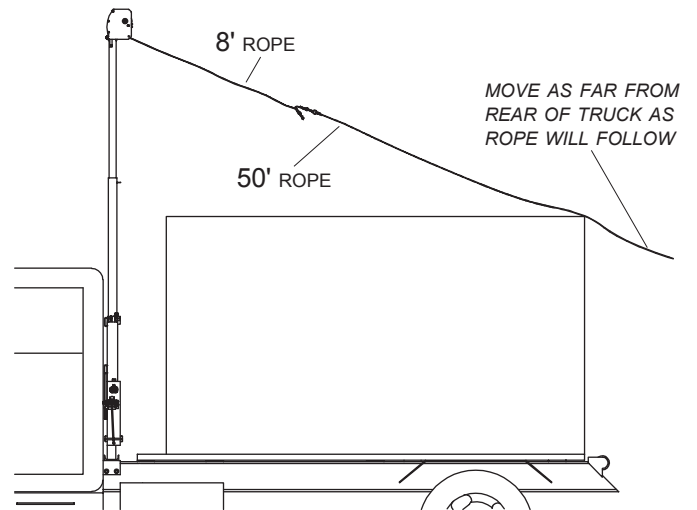
STEP 1: With tower at lowest point, clip ring on end of 50' rope to spring clip on 8' rope fastened to tarp.



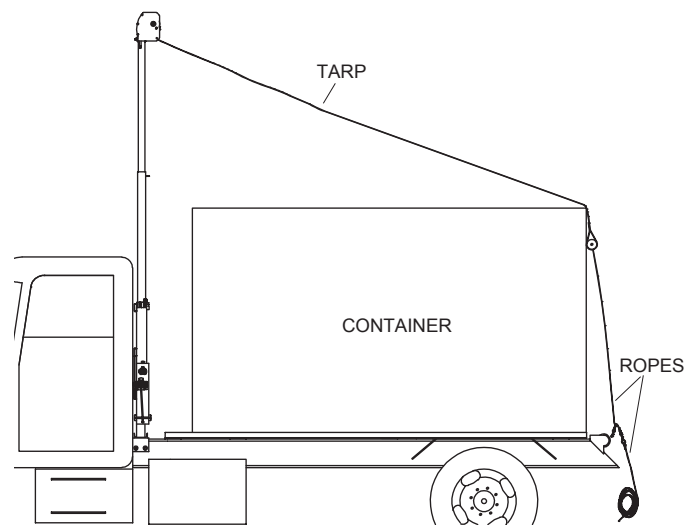
STEP 2: Activate control valve on hydraulic pump to raise tower to highest point, allowing ropes to extend with tower.



STEP 3: Holding end of 50' rope, walk directly behind container at rear of truck, moving as far back as rope will allow.

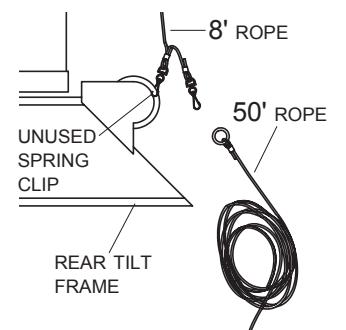


STEP 4: Pull rope toward rear of truck, unrolling tarp to completely cover container.



STEP 5: While maintaining tarp position, walk up to container at rear of truck.

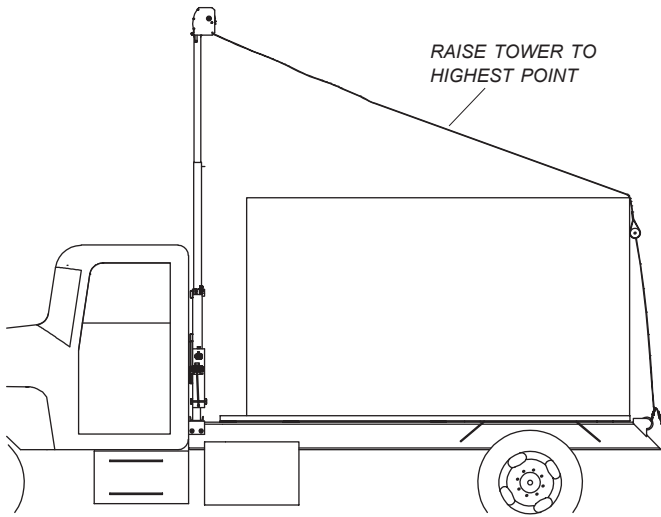
STEP 6: Clip unused spring clip on 8' rope to rear of tilt frame or container. Disconnect 50' rope and store in cab or tarp box.



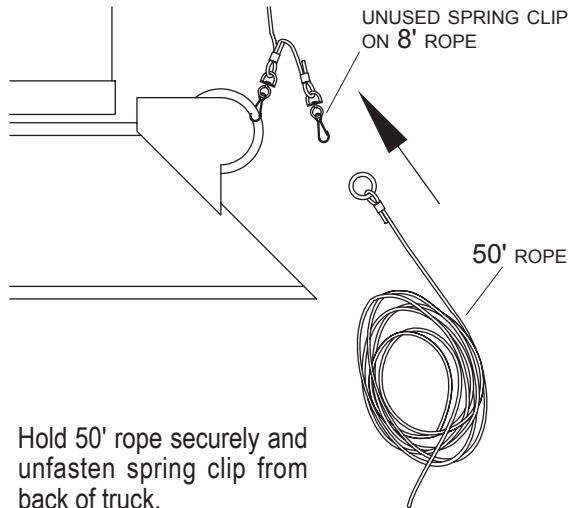
STEP 7: Lower tower to fully retracted position.

NOTE: Do not operate truck unless tower is fully retracted.

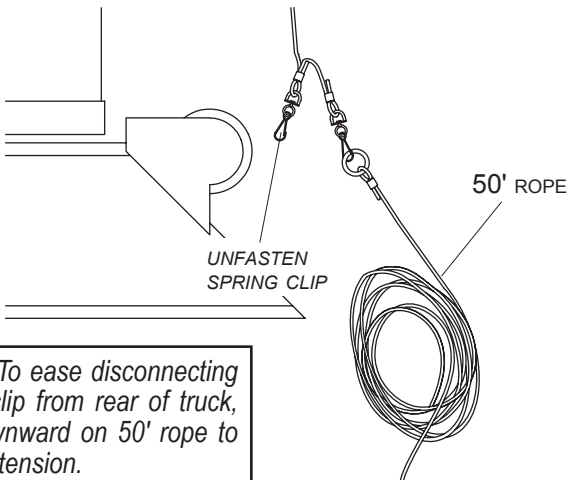
STEP 1: Activate control valve on hydraulic pump to raise tower to highest point.



STEP 2: Clip ring on 50' rope to unused spring clip on 8' rope at rear of trailer.

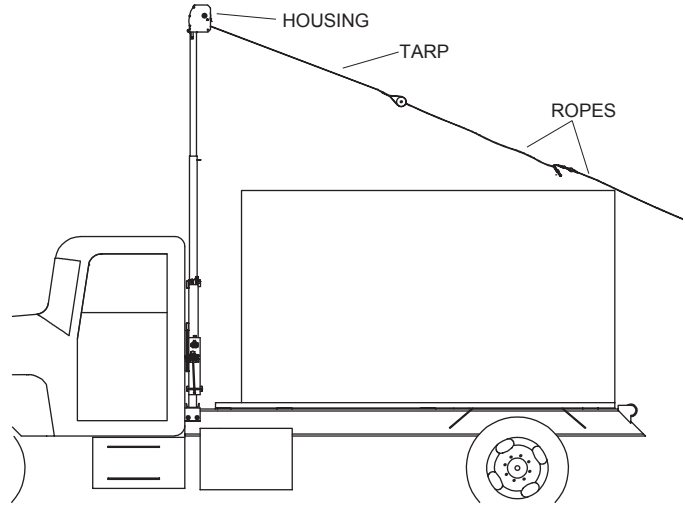


STEP 3: Hold 50' rope securely and unfasten spring clip from back of truck.

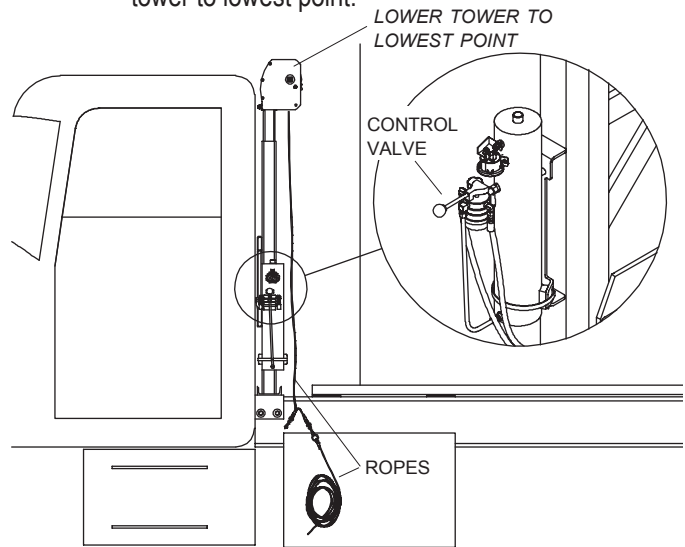


NOTE: To ease disconnecting spring clip from rear of truck, pull downward on 50' rope to release tension.

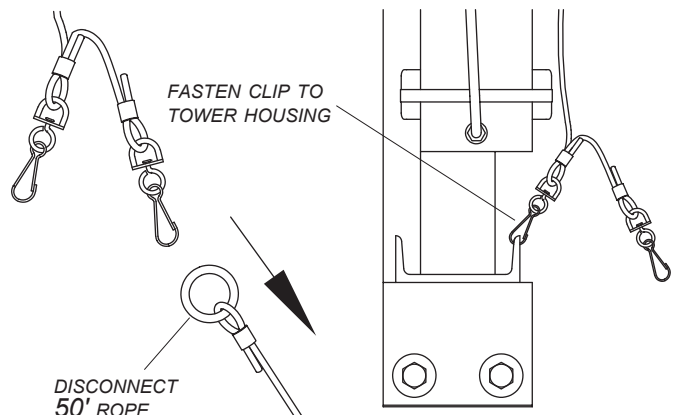
STEP 4: Guide tarp with ropes as it rolls into housing.



STEP 5: Activate control valve on hydraulic pump to lower tower to lowest point.



STEP 6: Disconnect 50' rope and store in cab or tarp box. Fasten spring clip on end of 8' rope to tower housing.



MORE QUALITY PRODUCTS FROM DONOVAN™

- **Construction Products**

- Arm-Matic™
- DuraPull™
- Econo-Pull™
- UT Tarp™
- 2000 Series
- 5000 Series
- Hammer™ II
- Bullet™
- Flash™

- **Waste Products**

- SWAT™
- Quick-Flip III™
- Sidewinder™
- Sidewinder™ 350
- HyTower™ SL
- HyTower™ DL
- Double-Flip™
- Donovan Belt & Ratchet (DBR)

TARP SYSTEMS, PARTS & TARPS

