



TARPING SYSTEMS & ACCESSORIES

P/N 1128262 Rev. B

OWNER'S MANUAL

SERVICE TRUCK POWER KITS

By: Shur-Co®

READ BEFORE INSTALLING

PO BOX 713 ■ 2309 SHUR-LOK STREET ■ YANKTON, SD 57078-0713
PHONE 1-800-4-SHUR-LOK (1-800-474-8756) ■ FAX 605-665-0501
www.shurco.com

SHOP ONLINE: www.shopshurco.com

SHIPPING. Orders are shipped F.O.B. from the Shur-Co®, LLC sites listed below. No full freight is allowed or prepaid shipment accepted unless quoted and approved in writing prior to acceptance of the order. All shipments are made by the most reasonable means in accordance with size and weight of order, unless specified routing instructions are furnished by the customer. Shipments are made daily via U.P.S. and common carrier. Claims for shortages must be made within 10 days. All claims for damages or loss in transit must be made with the carrier. No collect calls will be accepted. To ensure delivery of orders, we need your full street address and phone number. When you receive your shipment, examine it carefully. Be sure all cartons listed on the delivery sheet are accounted for. Large items may be packaged separately. If a carton is damaged, open it and inspect the contents before signing for delivery. If merchandise is damaged, describe damage on the delivery receipt. Failure on your part to document damaged or missing merchandise on the delivery receipt releases the carrier of all liability; repair or replacement will be the customer's responsibility.

WARRANTY. We warrant all new products are free of defects in materials and workmanship.* This warranty is effective if products are properly installed and used for the purpose for which they were intended and applies to the original buyer only. Except as set forth above or in any product-specific warranty documentation, we make no other warranties, express or implied, including but not limited to warranties of merchantability of fitness for a particular use.

Returns of a product for warranty must be accompanied by a Return Merchandise Authorization number (RMA#), obtained by calling Customer Service at 866-748-7435, and sent, with freight paid by us, to Shur-Co®, LLC, 2309 Shur-Lok St., PO Box 713, Yankton, SD 57078. All products returned without an RMA# will be refused. When we issue the RMA#, we will also issue a call tag to have UPS (or other freight company) pick up the product. C.O.D. returns not accepted. We will pay no storage fees for a warranty product return prior to pick by us or the freight company. If a warranty product return is scheduled to be picked up by us, we will pick up the product at our earliest convenience.

If a product returned is found, in our judgement, to be defective in material or workmanship, our obligation under this warranty is limited to the repair or replacement of the product, which will be made by us. Repair or replacement will be at our discretion, with replacements being made using current products performing in the equivalent function. Labor charges, other than those incurred at our factory, including, but not limited to, any labor to install a repaired or replacement product, are not covered under this warranty. All expenses associated with delivering defective products to our factory and delivering repaired or replacement products from our factory to the owner will be paid by us.

If the product returned is found, in our judgement, to be non-warrantable, the owner will be contacted to authorize repair work, purchase of a replacement product or return of the product, all of which will be at the owner's expense. Payment authorization must be received by us before any non-warrantable product is repaired, replaced or returned. All expenses associated with delivering the repaired non-warrantable product, a replacement product or the non-warrantable product from our factory to the owner will be paid by the owner.

In no event will we be liable for any damages of any kind to person, product or property, including but not limited to indirect, incidental, special, consequential or punitive damages, or damages for loss of profits or revenue, even if we have been advised of the possibility of such damages. There are no warranties for used products or products that have been repaired, altered, modified or subjected to misuse, negligence or accident. We will not repair or replace products that fail or malfunction due to ordinary wear and tear, except as expressly noted in a product-specific warranty. Use of non-Shur-Co®, LLC parts in conjunction with Shur-Co®, LLC products will void this product warranty.

*Certain products have specific warranties that differ from this warranty, for example motors and electronics. Product-specific warranty documentation is available for these items. In the event of a conflict between this warranty and a product-specific warranty, the product-specific warranty will govern.

RETURN POLICY. All sales final. See WARRANTY above for return details.

OTHER. All prices, product listings, sizes, weights and manufacturing details are subject to change without notice. No person is authorized to modify the foregoing conditions of sale whatsoever.

SHUR-CO®, LLC SERVICE AND DISTRIBUTION CENTERS

Corporate HQ and Outlet Store

SHUR-CO® of SOUTH DAKOTA

2309 Shur-Lok St., PO Box 713
Yankton, SD 57078-0713
Ph 800.474.8756 | Fax 605.665.0501

ShurTite™ Service Centers

SHUR-CO® of CANADA

490 Elgin St., Unit #1
Brantford, Ontario N3S 7P8
Ph 800.265.0823 | Fax 519.751.3997

SHUR-CO® of SIOUX FALLS

47184 258th St., Suite B
Sioux Falls, SD 57107
Ph 844.573.9322 | Fax 605.543.5469

SHUR-CO® of ILLINOIS

Ph 866.356.0246 | Fax 217.877.8270

SHUR-CO® of OHIO

Ph 866.356.0242 | Fax 330.297.5599

SHUR-CO® of FLORIDA

3353 SE Gran Park Way
Stuart, FL 34997
Ph 800.327.8287 | Fax 772.287.0431

SHUR-CO® of IDAHO

610 N. 16th Ave.
Calwell, ID 83605
Ph 208.455.1046

SHUR-CO® of ILLINOIS

3993 E. Mueller Ave.
Decatur, IL 62526
Ph 866.356.0246 | Fax 217.877.8270

SHUR-CO® of IOWA

3839 Midway Blvd.
Ft. Dodge, IA 50501
Ph 866.356.0245 | Fax 515.576.5578

SHUR-CO® of MICHIGAN

5100 Lakeshore Dr.
Lexington, MI 48450
Ph 800.327.8287 | Fax 772.287.0431

SHUR-CO® of NORTH DAKOTA

1746 4th Ave. NW
West Fargo, ND 58078
Ph 877.868.4488 | Fax 701.277.1283

SHUR-CO® of OHIO

1100 N. Freedom, St. Rt. 88 & 14
Ravenna, OH 44266
Ph 866.356.0242 | Fax 330.297.5599

SHUR-CO® UK, Ltd.


Unit 41 Rochester Airport Estates
Laker Rd., Rochester, Kent ME1 3QX
Ph +44 (0)1795.473499
Fax +44 (0)871.272.8278

For more info, log on to our website:

www.shurco.com

MESSAGE TO OWNERS

Thank you for buying this system from Shur-Co®. We appreciate your confidence in our products. Please read and thoroughly understand this manual before installing and/or operating this system.

Pay particular attention to important safety and operating instructions, as well as warnings and cautions. The hazard symbol  is used to alert users to potentially hazardous conditions and is followed by caution, warning or danger messages.

Failure to READ AND FOLLOW INSTRUCTIONS could result in failure of your system and/or personal injury. Your vehicle requirements may, however, call for minor variations to these instructions.

Please inspect your system periodically. Repair or replace worn or damaged parts to your system.

QUESTIONS? CALL OUR HELP LINE:
1-866-748-7435
 MON-FRI 8 AM-5 PM CENTRAL TIME

SAFETY

We at Shur-Co® are concerned with your safety and the safety of all those operating this system. Therefore, we have provided safety decals at various locations on your system. Keep decals as clean as possible at all times. Replace any decal that has become worn or damaged, painted over or otherwise difficult to read. Replacement decals are available through Shur-Co® dealers.

SAFETY INSTRUCTIONS

- 1. Always wear safety glasses during installation and operation.**
- 2. Stay clear of moving parts.**
- 3. No other use of this system is authorized, except as designed.**

TABLE OF CONTENTS

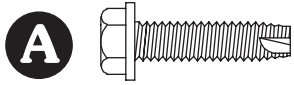
Hardware Identification 1
 Service Truck Power Kit "Base Kit"2-3
 Accessory: Cable w/2-Conductor Trailer Plug4
 Accessory: 2-Conductor Trailer Socket5-6
 Accessory: Jumper Cables7-8
 Accessory: LED Work Light9
 Accessory: HD Rotary Switch10
 Accessory: Extension Wires11
 Accessory: Junction Block Power Splitter 12

TOOLS REQUIRED

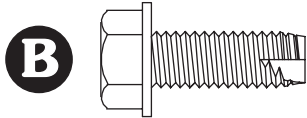
1. Wire Cutter Capable of Cutting 4-Ga. Wire
2. Knife or Wire Stripper Capable of Stripping 4-Ga. Wire
3. Crimping Tool for 4-Ga. Wire
4. Wrench Sized for Customer's Battery Terminal Screws
5. Drill and 5/16" Socket
6. Electric Drill
7. Drill Bits - 11/32" - 3/8" and 13/64" or .201"
8. 2" Diameter Hole Saw (if mounting socket into panel)
9. Ratchet/Sockets - 1/2" - 9/16"
10. Wrench - 1/2" - 9/16"
11. Impact Wrench
12. Socket - 3/8"

SPECIFICATIONS*

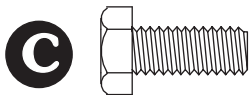
- Max Current (Continuous): 50A
- Max Current (5 Second): 200A
- Max Voltage Rating: 24 VDC
- *Also Applies to Any Accessories Used w/Base Kit



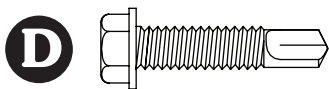
A 1704338 Hex Head Self-Tapping Screw - 1/4" x 1"



B 1700400 Hex Head Self-Tapping Screw - 3/8" x 1"



C 1701045 Hex Head Cap Screw - 5/16" x 3/4"



D 1701471 Hex Head Self-Drilling Screw - #12 x 1"



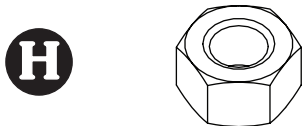
E 1704761 Hex Head Self-Drilling Screw - #12 x 1-1/4"



F Flanged Nut - 1/4"



G 1704946 Flanged Hex Nut - Top Lock - 5/16"



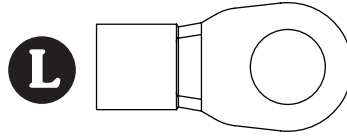
H 1700407 Hex Nut - 3/8"



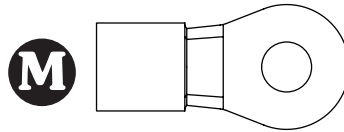
J 1700427 Flat Washer - 1/4"



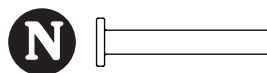
K 1700434 Lock Washer - 3/8"



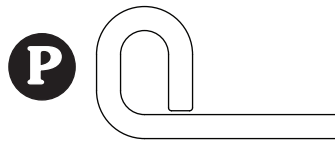
L 1705105 Ring Terminal - 3/8" Stud x 4-Ga. Wire



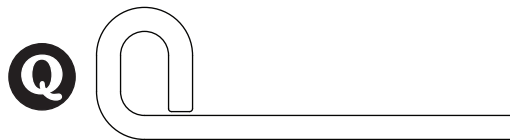
M 1705427 Ring Terminal - 1/4" Stud x 4-Ga. Wire



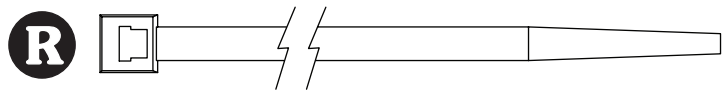
N 1704751 Harness Lock Pin Flush



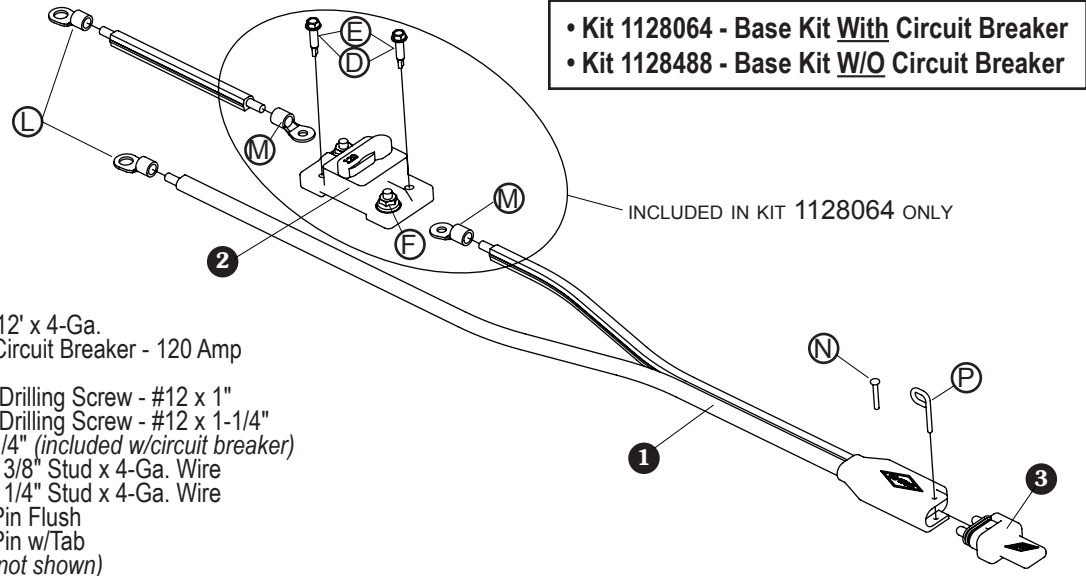
P 1704711 Harness Lock Pin - w/Tab



Q 1704696 Long Harness Lock Pin w/Tab



R 1703231 Cable Tie - 8"



• Kit 1128064 - Base Kit With Circuit Breaker
 • Kit 1128488 - Base Kit W/O Circuit Breaker

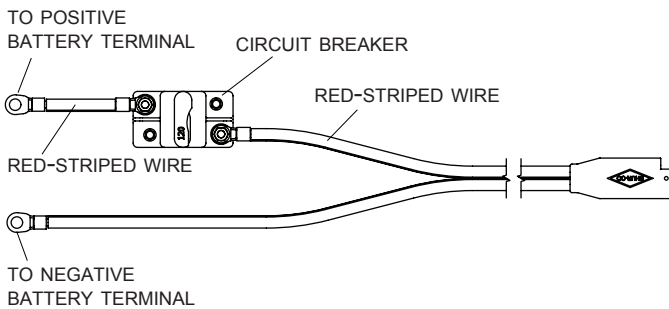
Item Part #	Description
1.	Power Cable - 12' x 4-Ga.
2. 1705861	Manual Reset Circuit Breaker - 120 Amp
3. 1704751	Harness Plug
D. 1701471	Hex Head Self-Drilling Screw - #12 x 1"
E. 1704761	Hex Head Self-Drilling Screw - #12 x 1-1/4"
F.	Flanged Nut - 1/4" (included w/circuit breaker)
L. 1705105	Ring Terminal - 3/8" Stud x 4-Ga. Wire
M. 1705427	Ring Terminal - 1/4" Stud x 4-Ga. Wire
N. 1704751	Harness Lock Pin Flush
P. 1704711	Harness Lock Pin w/Tab
R. 1703231	Cable Tie - 8" (not shown)

NOTE: Base kit 1128064 recommended to provide circuit protection.

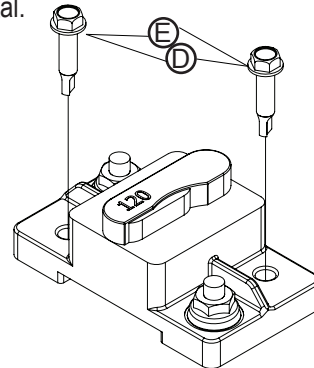
INSTALLATION

STEP 1: Determine routing for power supply cable and mounting location of circuit breaker.

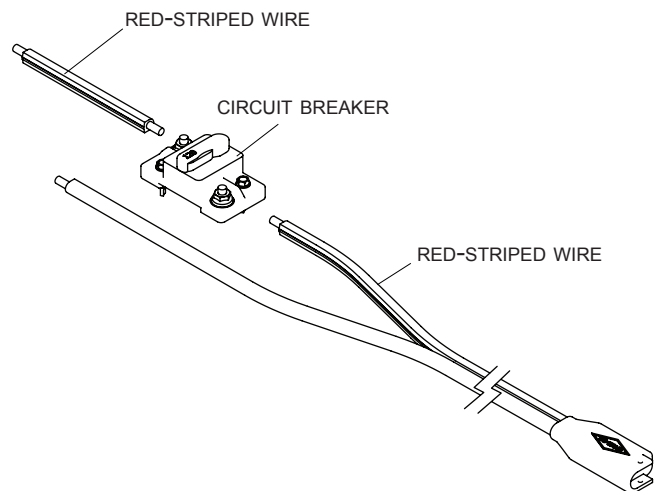
STEP 2: Place circuit breaker within 3' of service truck battery.



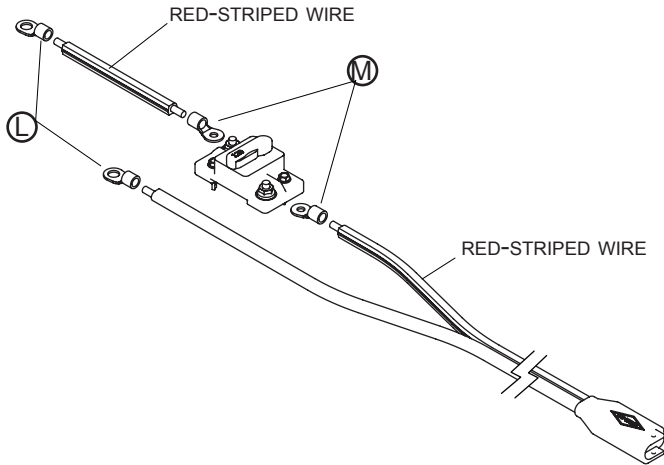
STEP 3: Mount circuit breaker inside battery box with self-drilling screws **D** or **E** or cable ties **R**. Secure breaker so terminal posts won't short-circuit against nearby metal.



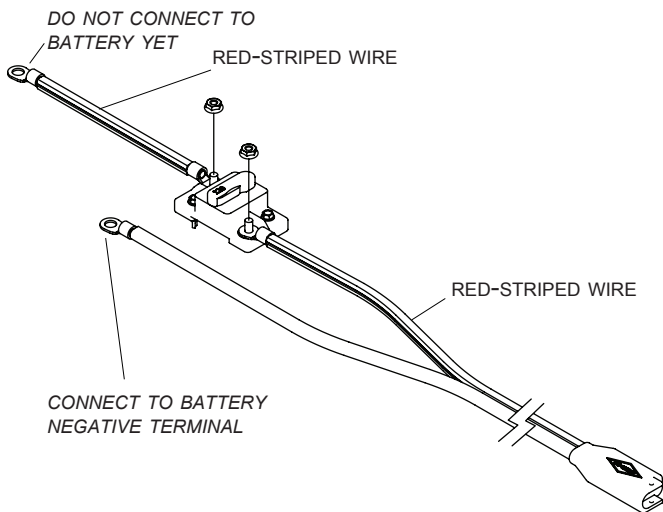
STEP 4: Cut power cable down to length if there's excess wire. Peel two halves of power supply cable apart. Cut small section of red-striped wire long enough to connect circuit breaker to positive battery terminal.



STEP 5: Strip cable insulation back 1/2" on all four cable ends. Crimp ring terminals:
 - 1/4" ring terminals **(M)** connect to circuit breaker
 - 3/8" ring terminals **(L)** connect to battery



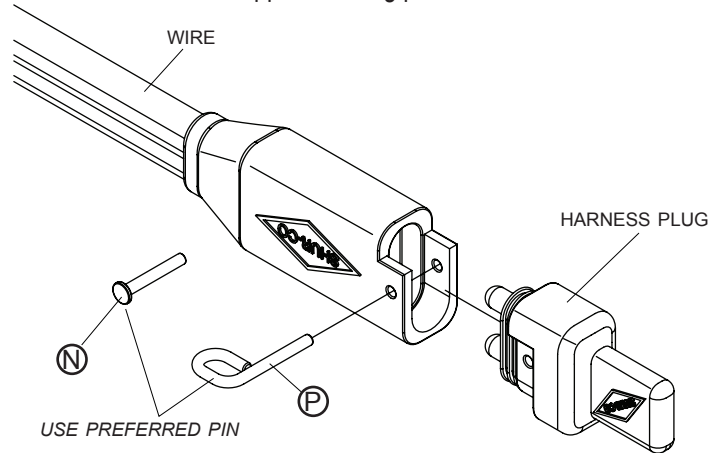
STEP 6: Connect 1/4" ring terminals on red-striped wires to circuit breaker. Connect 3/8" ring terminal of black ground wire to battery negative terminal. Do not connect red-striped wire to battery at this time.



STEP 7: Secure cable as desired from battery to sealed connector end using cable ties (11) or wire clamps. Make sure cable will not rub against sharp metal edges.

STEP 8: Connect 3/8" ring terminal of red-striped wire to battery positive terminal.

STEP 9: When not in use, plug in harness plug and secure with one of supplied locking pins **(N)** or **(P)**.



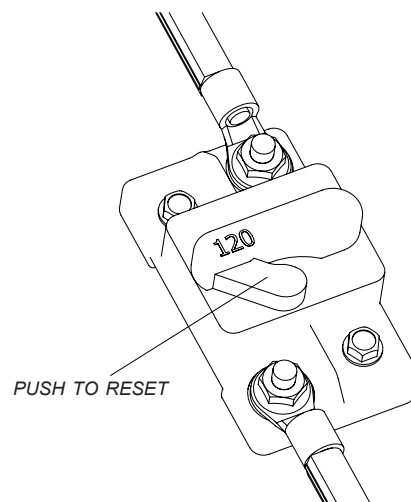
OPERATION

STEP 1: Remove locking pin **(N)** or **(P)** and harness plug. Put harness plug away for later use.

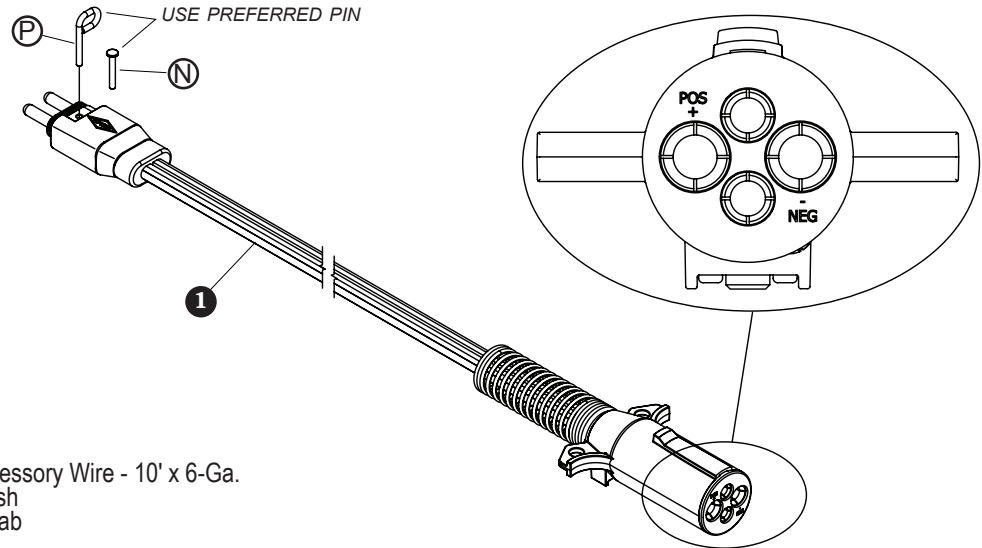
STEP 2: Connect accessory kit(s) and operate as described in applicable section(s) below.

STEP 3: If circuit breaker trips during operation, inspect system wiring for cause and make repairs prior to resetting circuit breaker. Circuit breaker can be reset by pushing yellow lever back in.

- Maximum supply current (continuous): 50 amps
- Maximum supply current (5 seconds): 200 amps



STEP 4: When finished with accessory wire, unplug accessory wire and plug in harness plug to protect connector from corrosion. Secure harness plug with locking pin **(N)** or **(P)**.



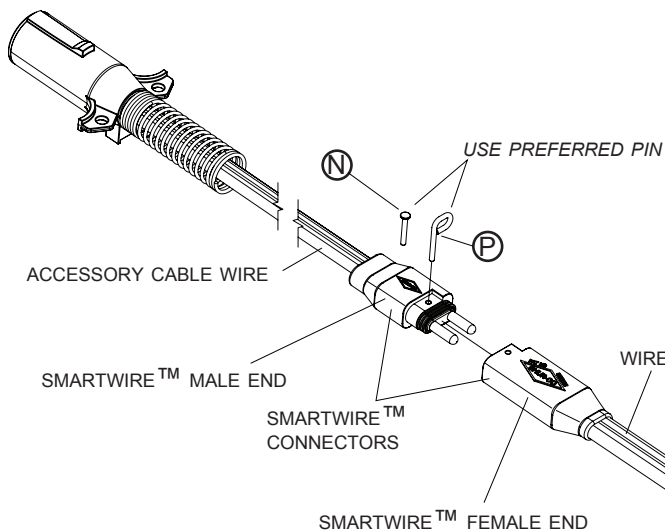
Item Part #	Description
1.	2-Conductor Plug Accessory Wire - 10' x 6-Ga.
N.	1704751 Harness Lock Pin Flush
P.	1704711 Harness Lock Pin w/Tab

Kit plugs into and draws power from base power kit on service truck. Use to supply temporary 12V power to any trailer outfitted with 2-conductor socket.

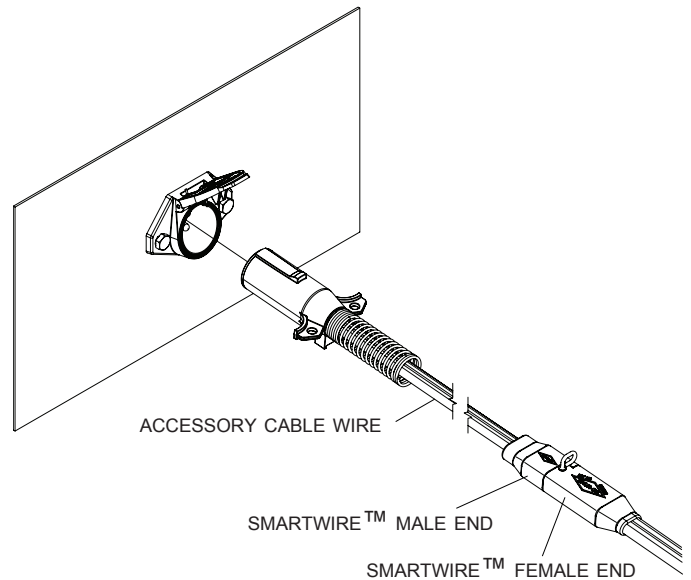
- 2-conductor plug is compatible with both vertical pin and horizontal pin sockets
- Use with base power kit (P/N 1128064)
- Optional extension cables kits available (8', 12', 16' and 20' lengths)

OPERATION

STEP 1: Plug male SMARTwire™ connector of accessory cable into female SMARTwire™ connector of base power kit. Secure connection with locking pin **N** or **P**.



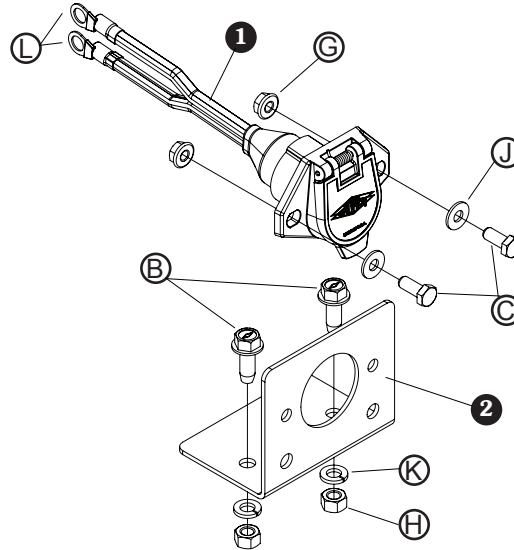
STEP 2: Plug 2-conductor plug into trailer's 2-conductor socket. Service truck battery is now supplying power to socket and target device should be operable.



STEP 3: When finished, unplug male plug, then unplug SMARTwire™ connectors. Store 2-conductor plug cable in clean, dry area.

STEP 4: On power kit, plug in harness plug to protect connector from corrosion. Secure harness plug with locking pin **N** or **P**.

Item	Part #	Description
1.		2-Conductor Socket - 3'6" Cable Leads - 6-Ga.
2.	1109015	Mounting Bracket
3.	1704378	Dielectric Grease - .14-Oz. Pkt. (not shown)
B.	1700400	Hex Head Self-Tapping Screw - 3/8" x 1"
C.	1701045	Hex Head Cap Screw - 5/16" x 3/4"
G.	1704946	Flanged Hex Nut - Top Lock - 5/16"
H.	1700407	Hex Nut 3/8" - 16
J.	1700427	Flat Washer - 1/4"
K.	1700434	Lock Washer - 3/8"
L.	1705105	Ring Terminal - 3/8" Stud x 4-Ga. Wire



Kit can be permanently installed on trailers to provide quick disconnect for truck's 2-conductor trailer plug (vertical pin). Socket can be used to power 12V systems, such as winches. Can also be installed on farm tractors or other machinery that may require frequent jump starting.

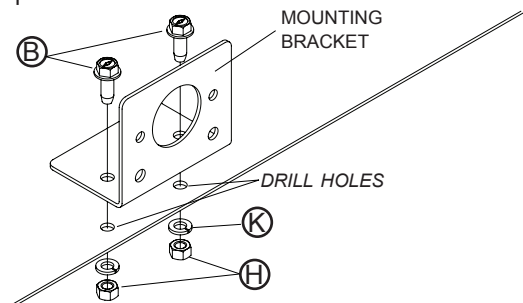
- Socket is standard vertical, 2-pin style trailer socket
- Lead wires on socket are 6-ga. and 3'6" long with 3/8" ring terminals
- Optional mounting bracket included

INSTALLATION

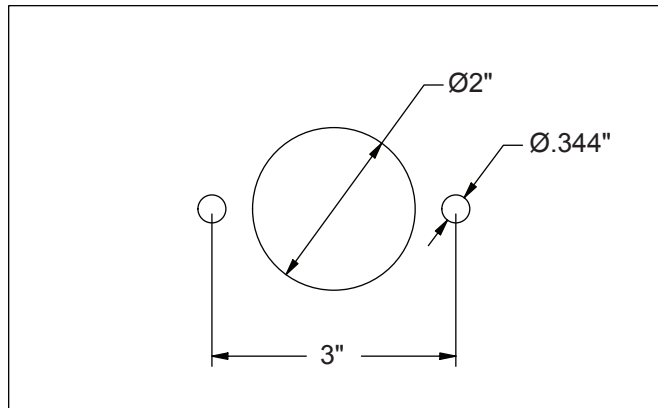
STEP 1: Determine mounting location of 2-conductor socket and ensure adequate cable length to reach from mounting location to terminals of battery or winch controller.

STEP 2: If desired, install mounting bracket. Alternatively, 2-pin socket can be mounted to panel on tractor or trailer instead of using mounting bracket.

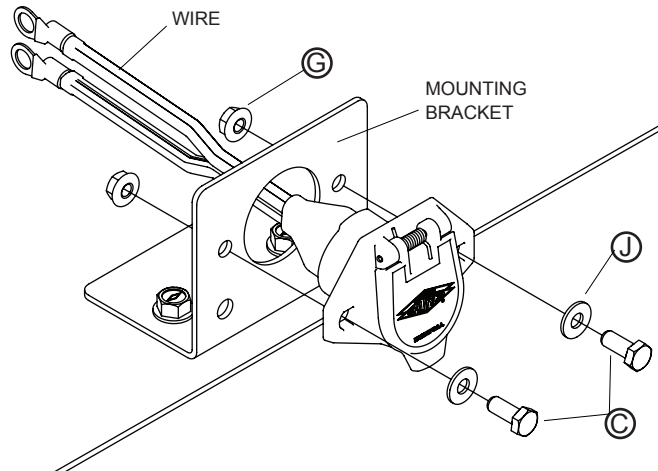
STEP 2A: If installing mounting bracket, mark and drill two 3/8" mounting holes. (Use bracket as template.) Fasten bracket using 3/8" screws (B), lock washers (K) and nuts (H). If mounting panel is at least 1/8" thick, 5/16" hole can be drilled instead and 3/8" screws will self tap.



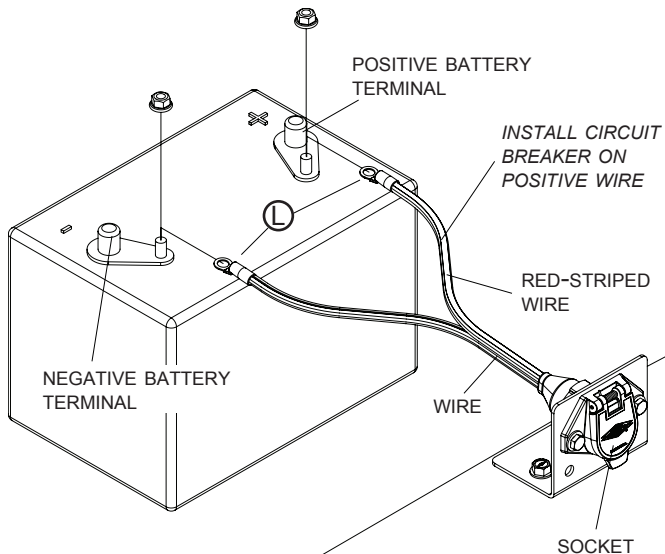
STEP 2B: If installing 2-pin socket directly onto panel, drill two 11/32" holes 3" apart. Drill center 2" hole. (Mounting bracket can be used to mark hole locations.)



STEP 3: Install 2-conductor socket accessory wire using 5/16" cap screws (C), flat washers (J) and flanged nuts (G).



STEP 4: If installing socket to provide quick connection for jump starting farm tractor or other farm machinery, purchase appropriately sized circuit breaker for battery and install on red-striped wire. Maximum size breaker should be 120-amp breaker (P/N 1705861). Connect 3/8" ring terminals **L** to battery. Connect red-striped wire to positive battery post.



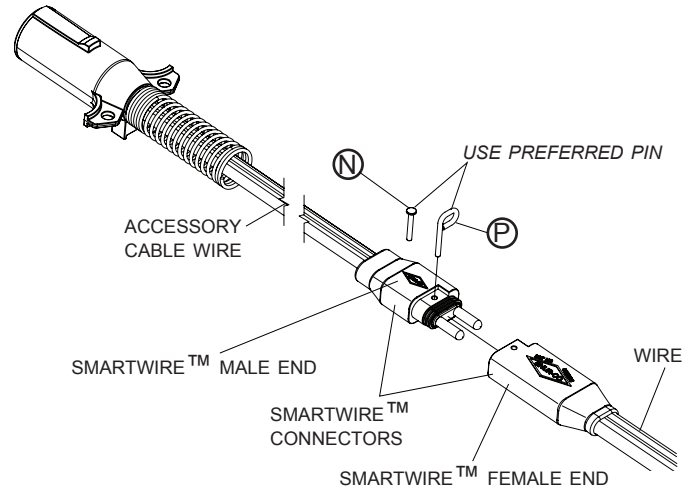
STEP 4B: If installing socket to provide power to 12V winch, connect ring terminals **L** to power terminals on winch controller. Red-striped wire should connect to positive terminal. It may be necessary to crimp different terminals to match winch terminals. Ensure connections are protected from short circuits with rubber boots or electrical tape.

STEP 5: Apply dielectric grease to pins inside socket.

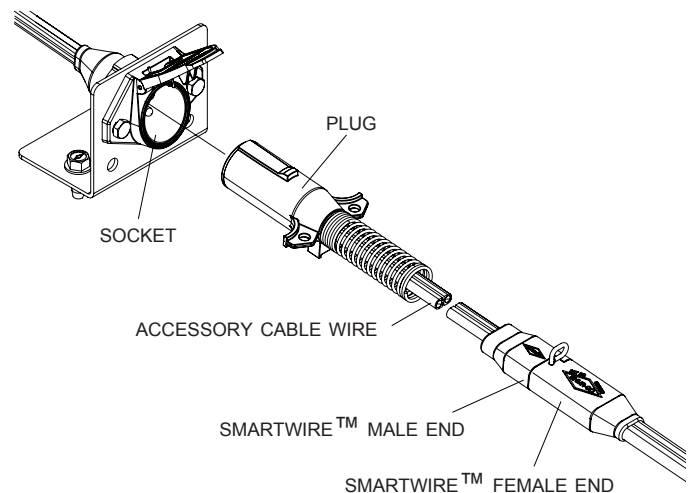
OPERATION

STEP 1: Base power kit (P/N 1128064) and 2-conductor socket accessory kit (P/N 1128065) are required to provide power to 2-conductor socket accessory wire. If extension cables are needed, see section on extension cables for more information.

STEP 2: If extension cables are not used, plug male SMARTwire™ connector of 2-conductor plug accessory wire into female SMARTwire™ connector of base power kit. Secure connection with locking pin **N** or **P**.



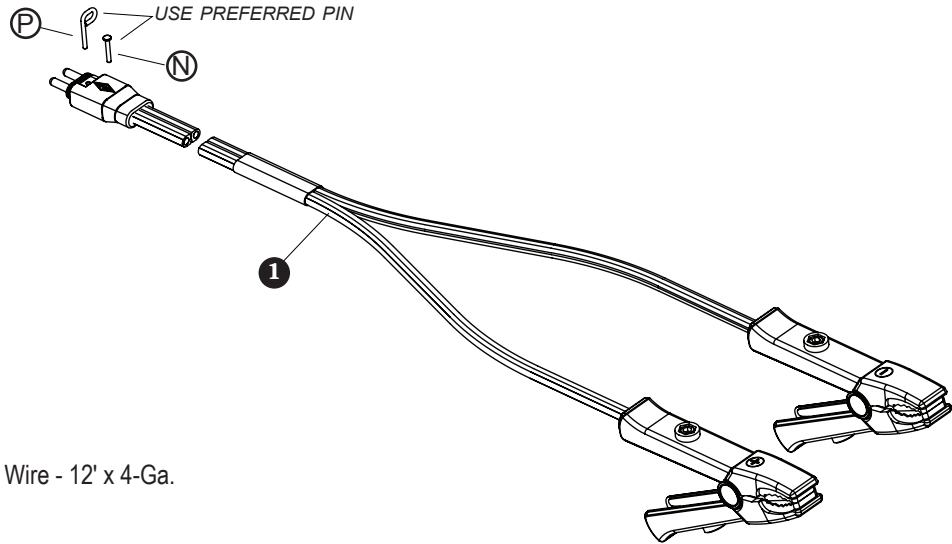
STEP 3: Connect 2-conductor plug to 2-conductor socket. Service truck battery is now supplying power to socket.



STEP 4: When finished, unplug male plug then unplug SMARTwire™ connectors. Store 2-conductor plug cable in a clean, dry area.

STEP 5: Inspect 2-conductor socket. Clean out any dirt and debris. Apply dielectric grease to pins inside socket if needed.

STEP 6: On service truck, plug harness plug into female SMARTwire™ connector to protect connector from corrosion. Secure harness plug with locking pin **N** or **P**.



Item Part #	Description
1.	Jumper Cable Accessory Wire - 12' x 4-Ga.
N. 1704751	Harness Lock Pin Flush
P. 1704711	Harness Lock Pin w/Tab

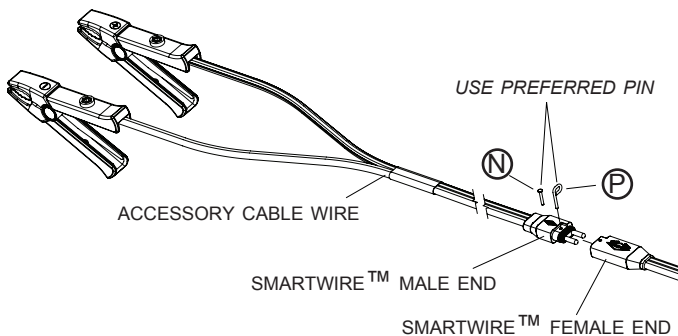
Jumper cable kit plugs into and draws power from base power kit on service truck. Use to jump start vehicles or machinery.

- Cable is 4-ga. and 12' long
- Use with base power kit (P/N 1128064)
- Optional extension cable kits available

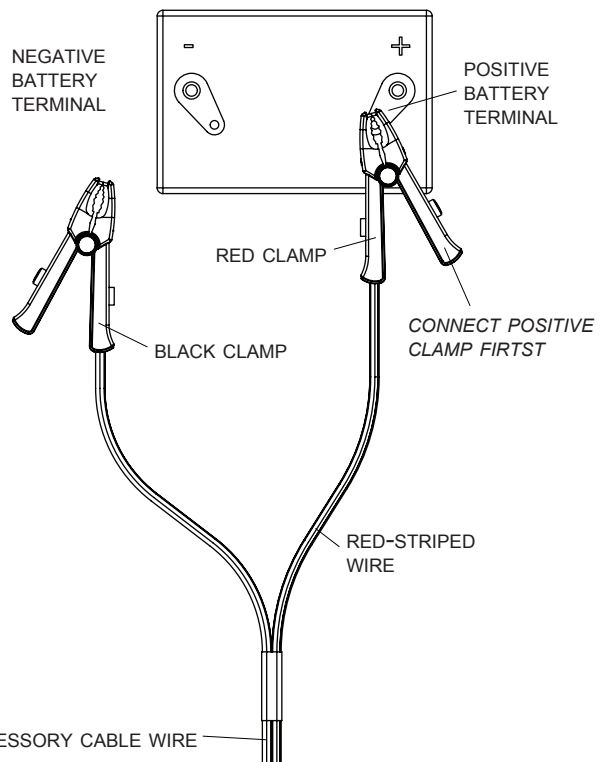
OPERATION

NOTE: Follow directions for jump starting listed in owner's manual of car being jump started. In case of any conflicts, vehicle owner's manual will supersede directions below. Contact Shur-Co® customer service with any questions.

- STEP 1:** Lay jumper cables on ground. Make sure jumper cable clamps are not in contact with each other.
- STEP 2:** If extension cables are needed, see section below on extension cables for more information.
- STEP 3:** If extension cables are not being used, plug male SMARTwire™ connector of accessory cable into female SMARTwire™ connector of base power kit. Secure connection with locking pin N or P. Jumper cables are now energized.



- STEP 4:** Connect positive red clamp to positive battery terminal of target vehicle.





- STEP 5:** Connect negative black clamp to engine block, vehicle frame or another good metallic ground. (Non-painted.)

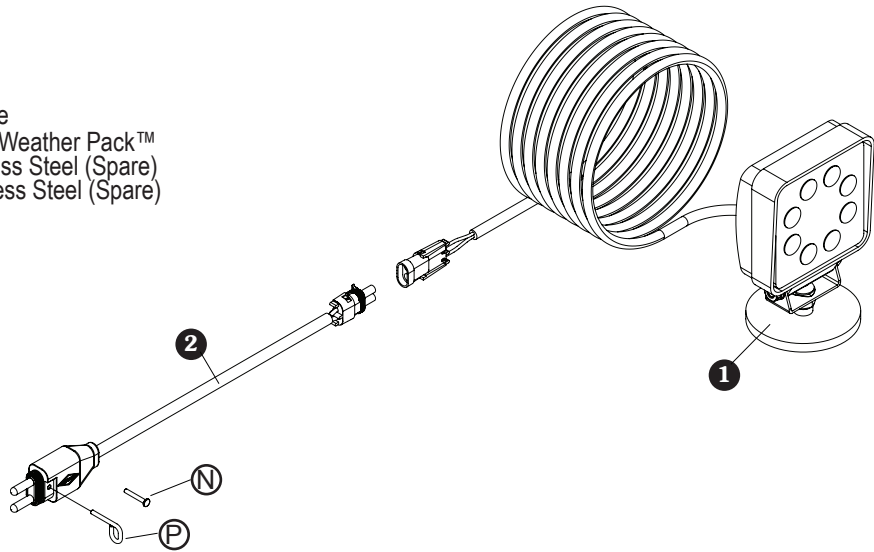


WARNING

Do not connect either clamp near carburetor, fuel line or any moving part.

- STEP 6:** Make sure service truck is running. Attempt to start target vehicle. (It may be helpful to wait a few minutes before starting if target vehicle's battery is severely drained.)
- STEP 7:** When finished, disconnect male SMARTwire™ connector of jumper cable wire from female SMARTwire™ connector on service truck.
- STEP 8:** Disconnect clamps from target vehicle. Remove positive clamp first.
- STEP 9:** Store jumper cable wire and any extension cables in a clean, dry area.
- STEP 10:** On service truck, plug harness plug into female SMARTwire™ connector to protect it from corrosion. Secure harness plug with locking pin  or .

Item	Part #	Description
1.		LED Work Light w/Magnetic Base
2.	1122690	Adapter Wire - SMARTwire™ to Weather Pack™
N.	1704751	Harness Lock Pin Flush - Stainless Steel (Spare)
P.	1704711	Harness Lock Pin w/Tab - Stainless Steel (Spare)



The LED Work Light plugs into and draws power from base power kit on service truck. Magnetic base of Work Light allows for convenient positioning, and swivel on light base allows light beam to quickly focus where you need it.

- Cable on Work Light is 13' long
- Use with base power kit (P/N 1128064)
- Optional extension cables kits available

OPERATION

STEP 1: Place LED Work Light in desired location.

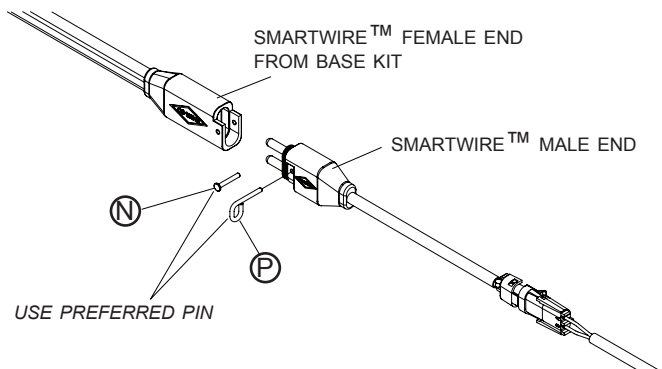
⚠ WARNING

Take care and use both hands if mounting location is ferrous metal. Work Light base will be strongly attracted to metal.

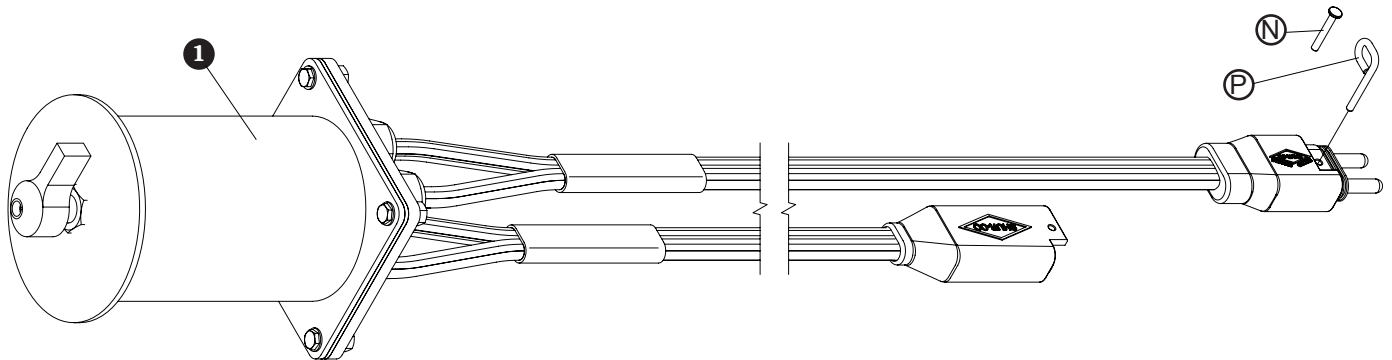
STEP 2: Plug LED Work Light 1 into adapter wire 2.

STEP 3: If extension cables are needed, see section below on extension cables for more information.

STEP 4: Plug adapter wire into female connector of base power kit. Secure connection with locking pin N or P.



- STEP 5:** Adjust swivel base of Work Light to direct light beam as needed.
- STEP 6:** When finished, unplug SMARTwire™ adapter wire from service vehicle. Store LED Work Light and adapter wire in clean, dry area.
- STEP 7:** On service truck, plug harness plug (refer back to page 3 step 9) into female SMARTwire™ connector to protect connection from corrosion. Secure connection with locking pin N or P.



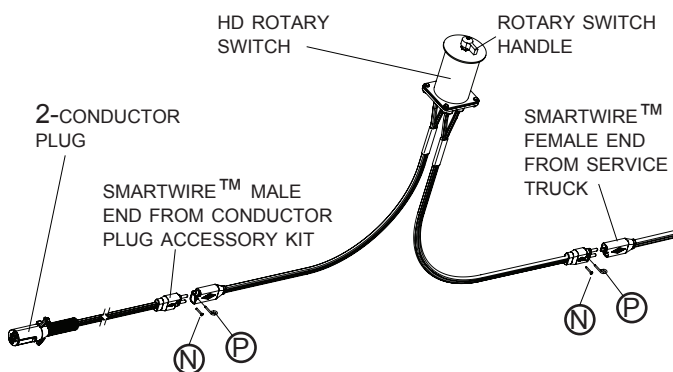
Item Part #	Description
1.	HD Rotary Switch
N. 1704751	Harness Lock Pin Flush - Stainless Steel (Spare)
P. 1704711	Harness Lock Pin w/Tab - Stainless Steel (Spare)

Rotary Switch plugs into and draws power from base power kit on service truck. Switch is intended to operate Shur-Co® electric tarps typically operated with rocker switch inside cab of truck.

- Switch is momentary and bi-directional
- Switch has integrated manual reset circuit breaker
- Input and output cables are 6-gauge and 3' long
- Use with base power kit (P/N 1128064) and 2-conductor plug accessory (P/N 1128065)
- Optional extension cable kits available

OPERATION

STEP 1: Plug male SMARTwire™ connector of rotary switch into female connector of base power kit. Secure connection with locking pin **N** or **P**.



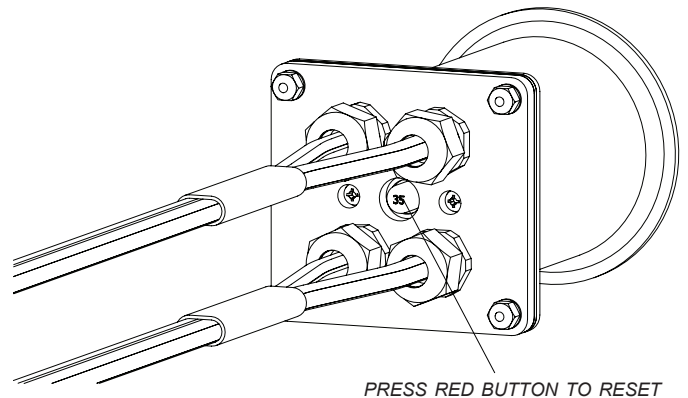
STEP 2: If extension cables are needed, see section below on extension cables for more information.

STEP 3: Plug male SMARTwire™ connector of 2-conductor plug into the female connector of rotary switch. Secure connection with locking pin from 2-conductor plug accessory **N** or **P**.

STEP 4: Plug 2-conductor plug into trailer's 2-conductor socket. Service truck battery is now supplying power to trailer socket and tarp system should be operable.

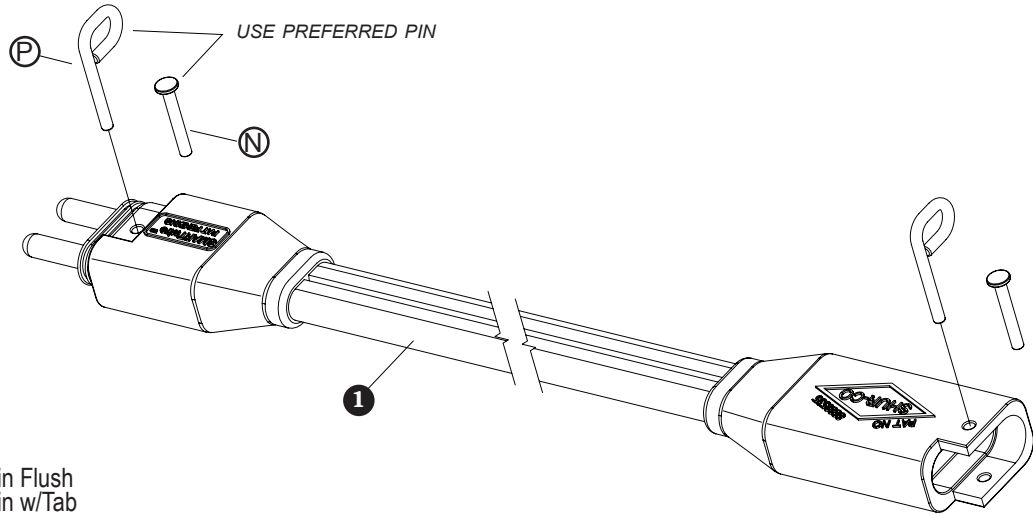
STEP 5: Rotate switch handle in either direction to operate tarp. Note which direction system travels when handle is rotated. This will vary depending on tarp system on connected trailer.

STEP 6: If switch is held too long while motor is stalling, or if there is problem with system, circuit breaker mounted on bottom of switch housing may trip. Wait 30 seconds for breaker to cool down and reset by pressing red button.



STEP 7: When finished, unplug 2-conductor plug from trailer. Disconnect rotary switch from 2-conductor plug. Store rotary switch and 2-conductor plug in clean, dry area.

STEP 8: On service truck, plug harness plug (refer to page 3, step 9) into female SMARTwire™ connector to protect connector from corrosion. Secure harness plug with lock pin **N** or **P**.



Item	Part #	Description
1.	1128099	8' Extension
	1128100	12' Extension
	1128101	16' Extension
	1128102	20' Extension
N.	1704751	Harness Lock Pin Flush
P.	1704711	Harness Lock Pin w/Tab

Extension cables can increase reach from service truck to accessories.

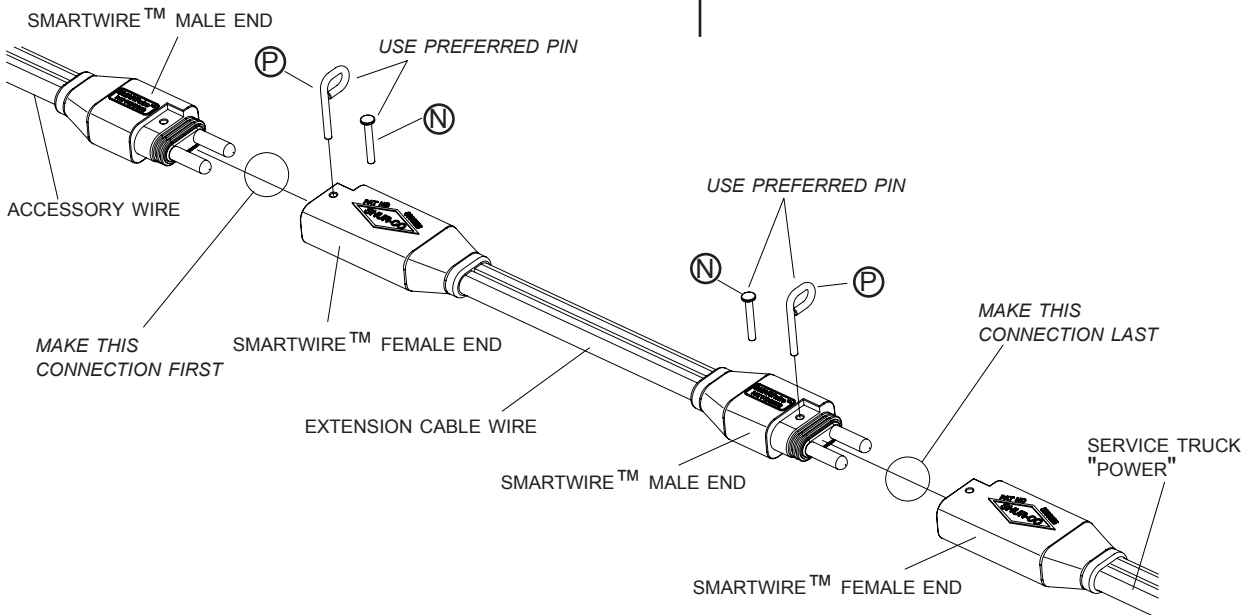
- Cable size is 4-gauge
- Use with base power kit (P/N 1128064)

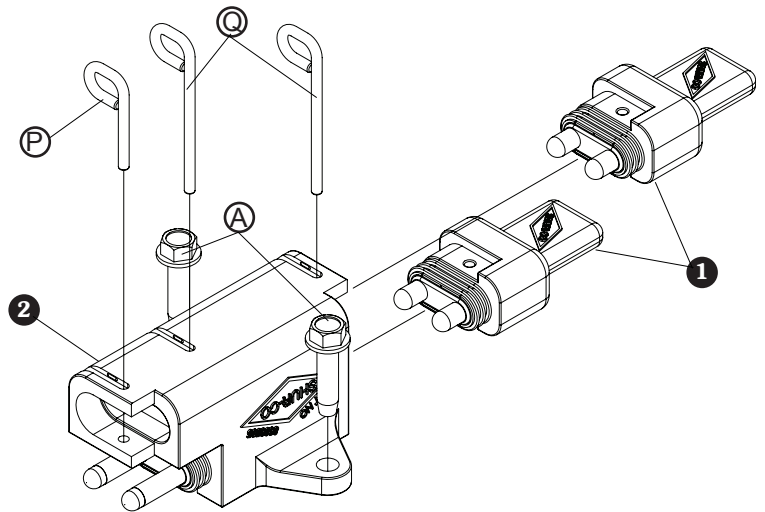
OPERATION

- STEP 1:** Read directions for operation of accessory wire prior to making connections below.
- STEP 2:** Plug male SMARTwire™ connector of accessory wire into female SMARTwire™ connector of extension cable. Secure connection with locking pin (N) or (P).

STEP 3: Then plug male SMARTwire™ connector of extension cable into female SMARTwire™ connector on service truck. Secure connection with locking pin (N) or (P).

STEP 4: Return to operating instructions for accessory wire.





Item	Part #	Description
1.	1704717	Harness Plug
2.	1704695	SMARTwire™ Junction Block
A.	1704338	Hex Head Self-Tapping Screw - 1/4" x 1"
P.	1704711	Harness Lock Pin w/Tab
Q.	1704696	Long Harness Lock Pin w/Tab

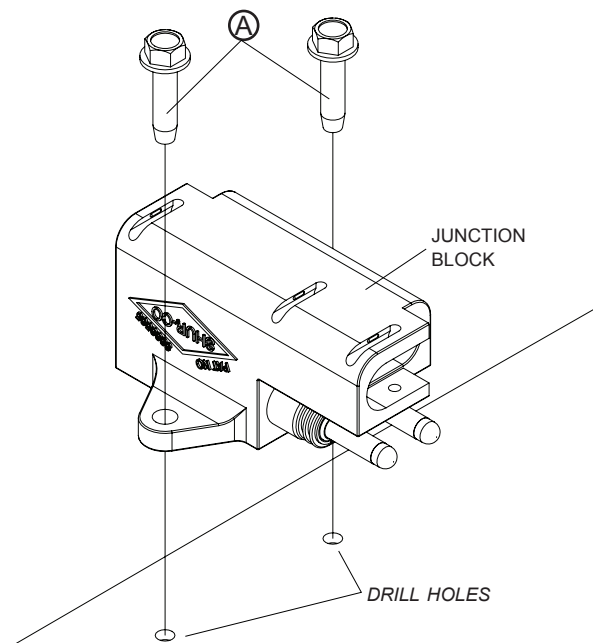
Kit can be permanently installed on service truck or trailer to increase number of sealed SMARTwire™ connections from one to three.

• Use with base power kit (P/N 1128064)

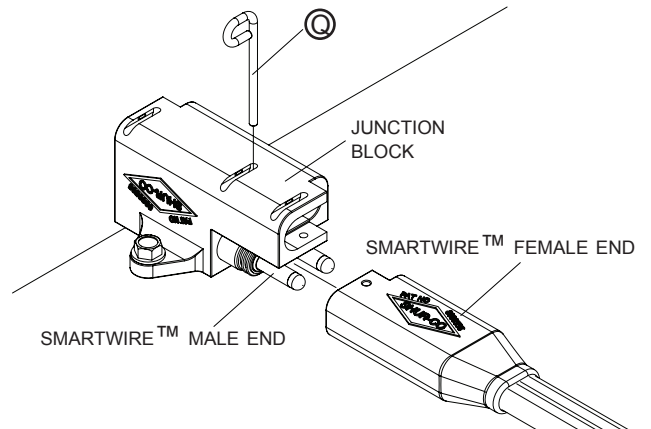
INSTALLATION

STEP 1: Determine mounting location of junction block. Use junction block as template and mark two locations 2-7/16" apart for drilling. Drill two 13/64" or 0.201" holes.

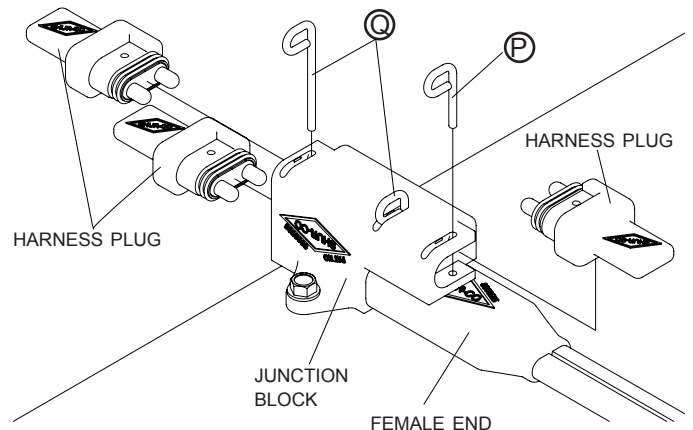
STEP 2: Mount junction block using self-tapping screws **A**.



STEP 3: Plug female SMARTwire™ connector of base power kit into male connector of junction block. Secure connection by inserting long locking pin **Q** into middle hole shown below.



STEP 4: While not in use, plug female sockets with harness plugs and secure with locking pins **P** and **Q**. Two plugs come with junction block kit and one comes with service truck kit.



MORE QUALITY PRODUCTS FROM SHUR-CO®

- **Genuine Replacement Tarps**
- **Genuine Replacement Parts**

- **Agriculture Products**
 - *The Original Shur-Lok®*
 - **Turning Point™ Bow**
 - **Shur-Lok® Junior**
 - **Premium Belt 'n Ratchet**
 - **Cable-Lok™**
 - **Tater-Top™**

- **SMARTrailer™ Accessories for Agriculture Products**
 - **SMART2™ Remote**
 - **SMART3™ Remote**
 - **4500 Series HD Electric**
 - **Electric Shur-Lok®**
 - **AutoTrap™ Hopper Opener**
 - **ProTrap® Hopper Opener**
 - **Electric Gate & Hoist**
 - **DriveMaxx™ Auger Drive**
 - **Electric Farm Swing Gate**
 - **LiteALL™ Work Lights**
 - **Cable-Lok™ Electric Upgrade**
 - **Electric Turning Point™ Bow**
 - **Solar Power Pack**

- **Construction Products**
 - *The Original Shur-Lok®*
 - **Turning Point™ Bow**
 - **Shur-Trak II™**
 - **IronSide II™**
 - **Shur-Matic™**

- **SMARTrailer™ Accessories for Construction Products**
 - **4500 Series HD Electric w/Gate Flex™**
 - **Shur-Trak II™ Electric Upgrade**
 - **Electric Turning Point™ Bow**
 - **Solar Power Pack**

- **Custom Products**
 - **Fitted Truck Covers**
 - **Flat Utility Tarps**
 - **Bean Drill Covers**
 - **Gustbuster™ Tarp Cords**
 - **SMARTwire™**

TARPING SYSTEMS & ACCESSORIES

