



TARPING SYSTEMS & ACCESSORIES

P/N 1128278 Rev. C

# OWNER'S MANUAL



## Manual Trap Opener

*READ BEFORE INSTALLING*

PO BOX 713 ■ 2309 SHUR-LOK STREET ■ YANKTON, SD 57078-0713  
PHONE 1-800-4-SHUR-LOK (1-800-474-8756) ■ FAX 605-665-0501  
[www.shurco.com](http://www.shurco.com)

SHOP ONLINE: [www.shopshurco.com](http://www.shopshurco.com)

**SHIPPING.** Orders are shipped F.O.B. from the Shur-Co<sup>®</sup>, LLC sites listed below. No full freight is allowed or prepaid shipment accepted unless quoted and approved in writing prior to acceptance of the order. All shipments are made by the most reasonable means in accordance with size and weight of order, unless specified routing instructions are furnished by the customer. Shipments are made daily via U.P.S. and common carrier. Claims for shortages must be made within 10 days. All claims for damages or loss in transit must be made with the carrier. No collect calls will be accepted. To ensure delivery of orders, we need your full street address and phone number. When you receive your shipment, examine it carefully. Be sure all cartons listed on the delivery sheet are accounted for. Large items may be packaged separately. If a carton is damaged, open it and inspect the contents before signing for delivery. If merchandise is damaged, describe damage on the delivery receipt. Failure on your part to document damaged or missing merchandise on the delivery receipt releases the carrier of all liability; repair or replacement will be the customer's responsibility.

**WARRANTY.** We warrant all new products are free of defects in materials and workmanship.\* This warranty is effective if products are properly installed and used for the purpose for which they were intended and applies to the original buyer only. Except as set forth above or in any product-specific warranty documentation, we make no other warranties, express or implied, including but not limited to warranties of merchantability of fitness for a particular use.

Returns of a product for warranty must be accompanied by a Return Merchandise Authorization number (RMA#), obtained by calling Customer Service at 866-748-7435, and sent, with freight paid by us, to Shur-Co<sup>®</sup>, LLC, 2309 Shur-Lok St., PO Box 713, Yankton, SD 57078. All products returned without an RMA# will be refused. When we issue the RMA#, we will also issue a call tag to have UPS (or other freight company) pick up the product. C.O.D. returns not accepted. We will pay no storage fees for a warranty product return prior to pick by us or the freight company. If a warranty product return is scheduled to be picked up by us, we will pick up the product at our earliest convenience.

If a product returned is found, in our judgement, to be defective in material or workmanship, our obligation under this warranty is limited to the repair or replacement of the product, which will be made by us. Repair or replacement will be at our discretion, with replacements being made using current products performing in the equivalent function. Labor charges, other than those incurred at our factory, including, but not limited to, any labor to install a repaired or replacement product, are not covered under this warranty. All expenses associated with delivering defective products to our factory and delivering repaired or replacement products from our factory to the owner will be paid by us.

If the product returned is found, in our judgement, to be non-warrantable, the owner will be contacted to authorize repair work, purchase of a replacement product or return of the product, all of which will be at the owner's expense. Payment authorization must be received by us before any non-warrantable product is repaired, replaced or returned. All expenses associated with delivering the repaired non-warrantable product, a replacement product or the non-warrantable product from our factory to the owner will be paid by the owner.

In no event will we be liable for any damages of any kind to person, product or property, including but not limited to indirect, incidental, special, consequential or punitive damages, or damages for loss of profits or revenue, even if we have been advised of the possibility of such damages. There are no warranties for used products or products that have been repaired, altered, modified or subjected to misuse, negligence or accident. We will not repair or replace products that fail or malfunction due to ordinary wear and tear, except as expressly noted in a product-specific warranty. Use of non-Shur-Co<sup>®</sup>, LLC parts in conjunction with Shur-Co<sup>®</sup>, LLC products will void this product warranty.

\*Certain products have specific warranties that differ from this warranty, for example motors and electronics. Product-specific warranty documentation is available for these items. In the event of a conflict between this warranty and a product-specific warranty, the product-specific warranty will govern.

**RETURN POLICY.** All sales final. See WARRANTY above for return details.

**OTHER.** All prices, product listings, sizes, weights and manufacturing details are subject to change without notice. No person is authorized to modify the foregoing conditions of sale whatsoever.

## SHUR-CO<sup>®</sup>, LLC SERVICE AND DISTRIBUTION CENTERS

### Corporate HQ and Outlet Store

#### SHUR-CO<sup>®</sup> of SOUTH DAKOTA

2309 Shur-Lok St., PO Box 713, Yankton, SD 57078  
Ph 800.474.8756 | Fax 605.665.0501

#### SHUR-CO<sup>®</sup> of FLORIDA

3353 SE Gran Park Way, Stuart, FL 34997  
Ph 800.327.8287 | Fax 772.287.0431

#### SHUR-CO<sup>®</sup> of IDAHO

610 N. 16th Ave., Caldwell, ID 83607  
Ph 208.455.1046 | Fax 208.455.1046

#### SHUR-CO<sup>®</sup> of ILLINOIS

3993 E. Mueller Ave., Decatur, IL 62526  
Ph 866.356.0246 | Fax 217.877.8270

#### SHUR-CO<sup>®</sup> of IOWA

3839 Midway Blvd., Ft. Dodge, IA 50501  
Ph 866.356.0245 | Fax 515.576.5578

### Preferred Donovan-Brand Seller

#### SHUR-CO<sup>®</sup> of MICHIGAN

5100 Lakeshore Dr., Lexington, MI 48450  
Ph 800.327.8287 | Fax 772.287.0431

#### SHUR-CO<sup>®</sup> of NORTH DAKOTA

1746 4th Ave. NW, West Fargo, ND 58078  
Ph 877.868.4488 | Fax 701.277.1283

#### SHUR-CO<sup>®</sup> of OHIO

4676 Lynn Rd.  
Rootstown, OH 44266  
Ph 866.356.0242 | Fax 330.297.5599

#### SHUR-CO<sup>®</sup> UK, Ltd.

Unit 41 Rochester Airport Estates  
Laker Rd., Rochester, Kent ME1 3QX  
Ph +44 (0)1795.473499  
Fax +44 (0)871.272.8278

### ShurTite<sup>™</sup> Service Centers

#### SHUR-CO<sup>®</sup> of CANADA

490 Elgin St., Unit #1  
Brantford, Ontario N3S 7P8  
Ph 800.265.0823 | Fax 519.751.3997

#### SHUR-CO<sup>®</sup> of SIOUX FALLS

47184 258th St., Suite B  
Sioux Falls, SD 57107  
Ph 844.573.9322 | Fax 605.543.5469

#### SHUR-CO<sup>®</sup> of IDAHO

Ph 208.455.1046 | Fax 208.455.1046

#### SHUR-CO<sup>®</sup> of ILLINOIS

Ph 866.356.0246 | Fax 217.877.8270

#### SHUR-CO<sup>®</sup> of OHIO


Ph 866.356.0242 | Fax 330.297.5599

For more information, log on to our website:

**www.shurco.com**

**MESSAGE TO OWNERS**

Thank you for buying TrapAdapt™ from Shur-Co® We appreciate your confidence in our products. Please read and thoroughly understand this manual before installing and/or operating this TrapAdapt™.

Pay particular attention to important safety and operating instructions, as well as warnings and cautions. The hazard symbol  is used to alert users to potentially hazardous conditions and is followed by caution, warning or danger messages.

Failure to READ AND FOLLOW INSTRUCTIONS could result in failure of trap opening systems and/or personal injury.

Please inspect your TrapAdapt™ periodically; repair or replace worn or damaged parts.

QUESTIONS? CALL OUR HELP LINE:

**1-866-748-7435**

MON-FRI 8 AM-5 PM CENTRAL TIME

**SAFETY**

We at Shur-Co® are concerned with your safety and the safety of all those operating this system. Therefore, we have provided safety decals at various locations on your trap opening system. Keep decals as clean as possible at all times. Replace any decal that has become worn or damaged, painted over or otherwise difficult to read. Replacement decals are available through Shur-Co® dealers.

**SAFETY INSTRUCTIONS**

- 1. Always wear safety glasses during use.**
- 2. Keep body and clothing clear of moving parts.**
- 3. No other use of this system is authorized, except as designed.**

**TABLE OF CONTENTS**

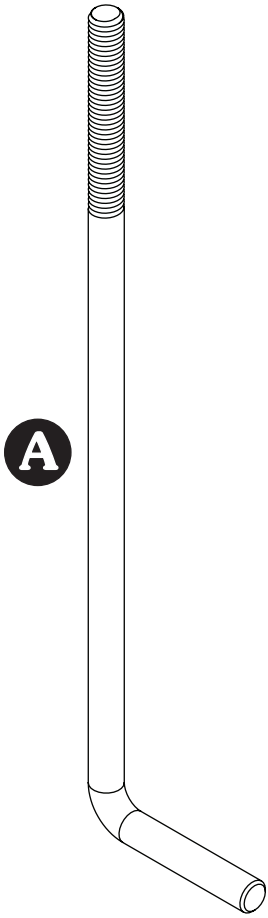
- Hardware Identification/Box Preparation ..... 1
- Notice to Operators ..... 2
- Operator Instruction Data ..... 2
- Safety Precautions ..... 3-4
- Cart Prep ..... 5
- Battery Installation ..... 6-7
- Operation ..... 8
- Changing Battery ..... 10
- Service Instructions ..... 11

**TOOLS REQUIRED**

1. Ratchet
2. 9/16" Deep Well Socket
3. 1/2" Standard Socket
4. Side Cutter

**CUSTOMER MUST SUPPLY**

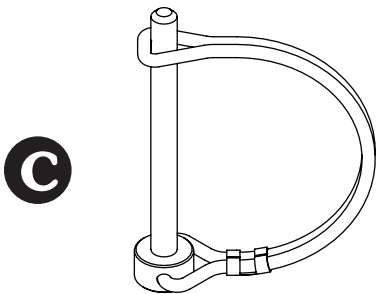
1. Group 27 or Group 31 Deep Cycle 12V Lead Acid (STD, AGM or GEL) with Threaded Posts on Top of Battery
2. Battery Post Nuts



1128207 L-Bolt - 3/8" x 10'



1704945 Flanged Nylon Nut - 3/8"



1706357 Lock Pin

**NOTICE TO OPERATORS**

Do not allow anyone to operate TrapAdapt™ without first reading this Owners Manual and becoming familiar with its operation. Possibility exists that Trap Adapt™ can be utilized in and/or subjected to job applications not perceived and/or anticipated by manufacturer. Such misuse and/or misapplication of Trap Adapt™ can lead to serious damage, injury or even death.

It is responsibility of owner(s) and/or operator(s) to establish, monitor and constantly upgrade all safety programs and/or practices utilized in and for the operation of TrapAdapt™. It is responsibility of owner(s) and/or operator(s) to determine that no modifications and/or alterations have been made to Trap Adapt™. Modifications and/or alterations can lead to serious damage, injury or even death. It is responsibility of owner(s) and/or operator(s) to make this Owners Manual available for consultation during all phases of operation.

 **CAUTION**

Use of TrapAdapt™ requires strenuous work activity which should only be attempted by operators of adequate physical size and stature, mental awareness and physical strength and condition.

Operator is required to supply resultant force that counteracts/balances and/or resists natural torque and kickback forces generated during trap opening process. Body parts most noticeably affected are arms, hands, wrists, shoulders, lower back and legs. Torque and kickback forces generated and/or encountered correspond to natural laws of physics and are inherent to trap opening process. These cannot be changed or totally eliminated with portable trap opening equipment of this design.

There is no guarantee that operator will be immune to possible and/or probable physical side effects of normal trap opening process. Each potential operator not willing to assume operational and physical liability described and/or associated with trap opening process should not operate TrapAdapt™. Proper levels of operator experience, skill and common sense are essential for maximizing safe and efficient operation.

**OPERATOR INSTRUCTION DATA**

The following undersigned operators of TrapAdapt™ described and/or pertaining to this Operator Manual have received formal safety and operational information/instruction from undersigned owner(s)/instructor(s) and/or applicable updated revisions pertaining to, but not necessarily limited to:

- 1) READING, COMPREHENSION AND ACKNOWLEDGEMENT OF MATERIAL COMPRISING ENTIRE CONTENTS OF APPLICABLE OWNERS MANUAL FOR TRAPADAPT™.
- 2) FORMALIZED OPERATOR'S SAFETY PROGRAM TO BE DEvised BY OWNER OF TRAPADAPT™ IN CONJUNCTION WITH CONTENTS OF APPLICABLE OWNERS MANUAL FOR TRAPADAPT™.
- 3) OSHA RULES AND REGULATIONS RESEARCHED FOR AND/OR BY OWNER OF TRAPADAPT™ AND DEEMED APPLICABLE TO SAFE AND PROPER USE AND/OR OPERATION OF TRAPADAPT™ FOR ANY SPECIFIC APPLICATION.
- 4) LOCAL LAWS, REGULATIONS AND CUSTOMS RESEARCHED FOR AND/OR BY OWNER OF TRAPADAPT™ AND DEEMED APPLICABLE FOR SAFE AND PROPER USE AND/OR OPERATION OF TRAPADAPT™ FOR ANY SPECIFIC APPLICATION.
- 5) FORMALIZED MAINTENANCE PROGRAM FOR TRAP ADAPT™ TO BE DEvised BY OWNER, IN ACCORDANCE WITH, BUT NOT NECESSARILY LIMITED TO, SPECIFICATIONS, GUIDELINES AND OPERATIONAL INFORMATION CONTAINED IN APPLICABLE OWNERS MANUAL.
- 6) COMPREHENSIVE OPERATIONAL INSTRUCTIONS FOR CORRECT AND PROPER USE OF TRAPADAPT™ AS PER CONTENTS OF APPLICABLE OWNERS MANUAL.

_____	_____	_____
OPERATOR	OWNER/INSTRUCTOR	DATE
_____	_____	_____
OPERATOR	OWNER/INSTRUCTOR	DATE
_____	_____	_____
OPERATOR	OWNER/INSTRUCTOR	DATE
_____	_____	_____
OPERATOR	OWNER/INSTRUCTOR	DATE
_____	_____	_____
OPERATOR	OWNER/INSTRUCTOR	DATE
_____	_____	_____
OPERATOR	OWNER/INSTRUCTOR	DATE

**SAFETY PRECAUTIONS****WARNING**

**Incorrect use of TrapAdapt™ can result in property damage, personal injury or even death. To reduce this possibility, give complete and undivided attention to job at hand and follow these safety precautions.**

**PREPARATION**

1) TrapAdapt™ is a specialized type of powered equipment, designed for a specific job function and requires adequate and thorough instruction BEFORE operation. BEFORE attempting to utilize TrapAdapt™, read Owners Manual. DO NOT OPERATE TRAPADAPT™ UNTIL EACH OPERATOR COMPLETELY COMPREHENDS CONTENTS OF OWNERS MANUAL.

2) Develop a comprehensive program for safe operation of TrapAdapt™ by its owner(s) and/or operator(s).

3) Determine TrapAdapt™ is in its original, factory configuration and has not been modified in any manner. Many modifications can result in potentially dangerous configurations which can lead to property damage and/or personal injury. If there are any questions about possible modifications made, contact the Customer Service Department for specific information BEFORE utilization.

4) Minors should never be allowed to operate TrapAdapt™. Keep all body parts, loose clothing and foreign objects clear of rotating drive and drive adaptors.

5) Operators must be in proper physical condition, mental health and not under influence of any substance (drugs, alcohol, etc.) which might impair vision, dexterity or judgment. Working with TrapAdapt™ is strenuous. If you have any condition that might be aggravated by strenuous work, check with your doctor BEFORE operating TrapAdapt™. Guard against possibility of back-related injuries. Always lift TrapAdapt™ with leg muscles and not back.

Operators must be of adequate height so that for any given operating configuration, operator handle(s) remain near waist level. Do not operate TrapAdapt™ if this condition is not met.

6) Clothing must be sturdy and snug fitting, but allow complete freedom of movement. Never wear loose fitting jackets, scarves, neckties, jewelry, flared or cuffed pants or anything which could become caught on controls or moving parts. Wear long pants to protect legs. Protect hands with heavy-duty nonslip gloves to improve your grip. Good footing is essential when operating TrapAdapt™. Wear sturdy boots with nonslip soles. Steel-toed safety shoes are highly recommended. Keep shoes properly laced. Never wear tennis shoes or shoes which afford little or no

protection. Wear an approved safety hard hat to protect operator's head.

7) Flying debris generated by trap-opening process can cause eye injury. Eye protection is required while operating or when near equipment.

8) Visually inspect TrapAdapt™ for damaged, loose, broken or worn parts. Look for loose and/or damaged handle grip areas. Determine operator controls work freely and information/safety decals are readable. Check to determine TrapAdapt™ and all related accessories are in good mechanical condition BEFORE utilization.

9) Know how controls function and how to stop TrapAdapt™ quickly in an emergency. Always operate according to instructions as outlined in manual to minimize possibility of unexpected or uncontrolled rotation. Unexpected rotation can cause loss of machine control and possibility of property damage and/or personal injury.

10) Do not operate TrapAdapt™ on worksite location where kickback forces generated can allow body parts to come in direct contact with a vertical wall, foundation or other support-type structures in close proximity. Such an occurrence can result in property damage and/or personal injury. Always maintain a safe and reasonable distance from these types of structures.

**OPERATION**

1) Give complete and undivided attention to job at hand.

2) TrapAdapt™ trap openers are designed for use by one operator. Use of a TrapAdapt™ by more than one operator can lead to confusion and loss of control, resulting in damage and/or personal injury.

3) Wear proper safety eyewear. Keep all body parts, loose clothing and foreign objects clear of rotating components.

4) Operate TrapAdapt™ only when/where visibility and light are adequate for job at hand. Work carefully. Always hold TrapAdapt™ firmly with both hands. Wrap your fingers around handle grips/gripping areas, keeping grips/gripping areas cradled between your thumbs and forefingers.

Always determine operator handle and grips/gripping areas are in good condition and free of moisture, pitch, oil or grease. Wear gloves to improve your grip.

5) Special care must be exercised in slippery conditions and on uneven surfaces. Watch for cracks, high spots and other surface irregularities. Keep proper footing and balance at all times. Normal use of TrapAdapt™ is on level ground. Other trap-opening terrains can be dangerous and should be avoided.

6) Only charge TrapAdapt™ battery in a well-ventilated area. Completely remove battery box cover when charging and maintaining battery. Only charge TrapAdapt™ battery using included battery charger/maintainer.

7) Because TrapAdapt™ is classified as a low-cost, hand-held, low-torque, portable trap opener, it is limited in number of practical and/or suitable job applications. A particular trap design and operator experience/skill/common sense may dictate a different type of trap opener (with characteristics of higher purchase cost, being mounted to a carrier vehicle, with greater torque and less mobility) method and/or process be utilized to properly complete job with degree of efficiency and safety required.

Contact Customer Service Department for specific information regarding suitable job applications and operator experience/skill/common sense recommendations for trap opener BEFORE utilization.

#### MAINTENANCE, REPAIR AND STORAGE

1) Use only Genuine Shur-Co® replacement parts for maintenance and repair. Use of parts manufactured by others can result in property damage and/or personal injury.

2) Follow the service instructions as outlined in appropriate section of the Owners Manual.

3) Always disconnect battery wires BEFORE checking or working on TrapAdapt™.

4) Always properly maintain TrapAdapt™. Frequently check all fasteners and individual parts. Built-in safety features are effective only if maintained in good working condition. Replace any questionable part or assembly with Genuine Shur-Co® replacement parts.

5) Maintain all safety and operation decals in proper condition. If any decal becomes damaged and/or unreadable, replace with a Genuine Shur-Co® factory-approved replacement part only.

6) TrapAdapt™ may utilize locking type hexagon nuts to minimize effects of vibration. Replace all self-locking hardware with Genuine Shur-Co® factory-approved replacement parts only.

7) Replace TrapAdapt™ drive socket and adapters at any sign of excessive wear. When such parts are not replaced when excessive wear is detected, undo wear will occur at hopper trap drive. Opening traps with equipment that is past its useful service life or which has not been properly maintained can result in substandard productivity, excessive property damage and/or personal injury.

8) At conclusion of useful service life of TrapAdapt™, drain and properly dispose of all fluids per local requirements. Disassemble motor, gear box and battery components. Wear appropriate safety apparel during disassembly process. Recycle aluminum, steel and nonmetallic components properly per local requirements.

#### TRAPADAPT™ OPERATION

MANUFACTURER OF TRAPADAPT™ MAKES NO WARRANTY OR GUARANTEE IT IS SUITABLE FOR ANY SPECIFIC JOB APPLICATION AND WILL HAVE POWER REQUIRED TO OPEN A SPECIFIC TRAP WITH A SPECIFIC LOAD.



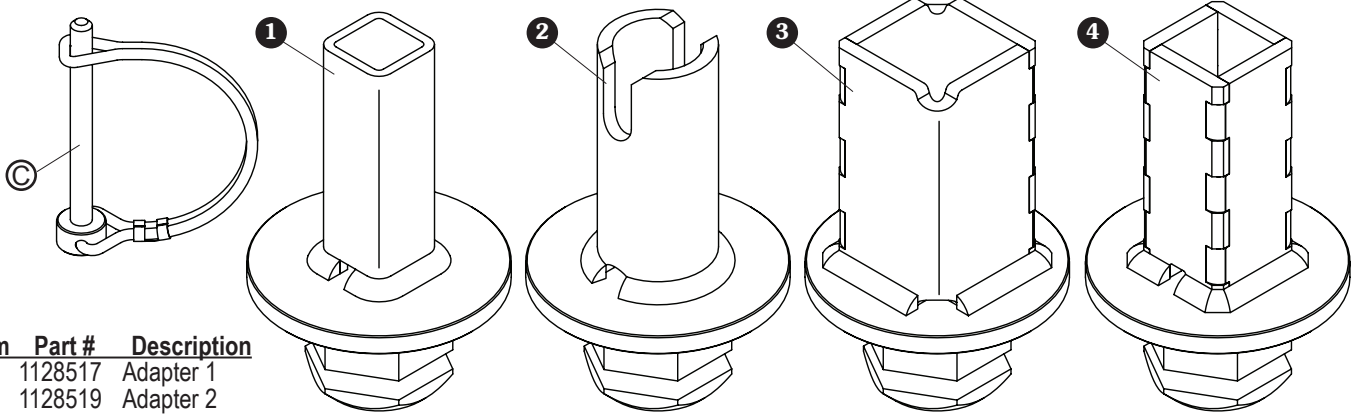
#### WARNING

**Operation of TrapAdapt™ utilizing components not meeting minimum operational standards can result in property damage and/or personal injury.**



#### WARNING

**If TrapAdapt™ and/or an individual component/accessory does not appear to be functioning properly, STOP and do not further operate TrapAdapt™ until corrective action has been completed. If there are any questions regarding proper operation of TrapAdapt™, contact dealer or the customer Service Department for assistance BEFORE further utilization.**

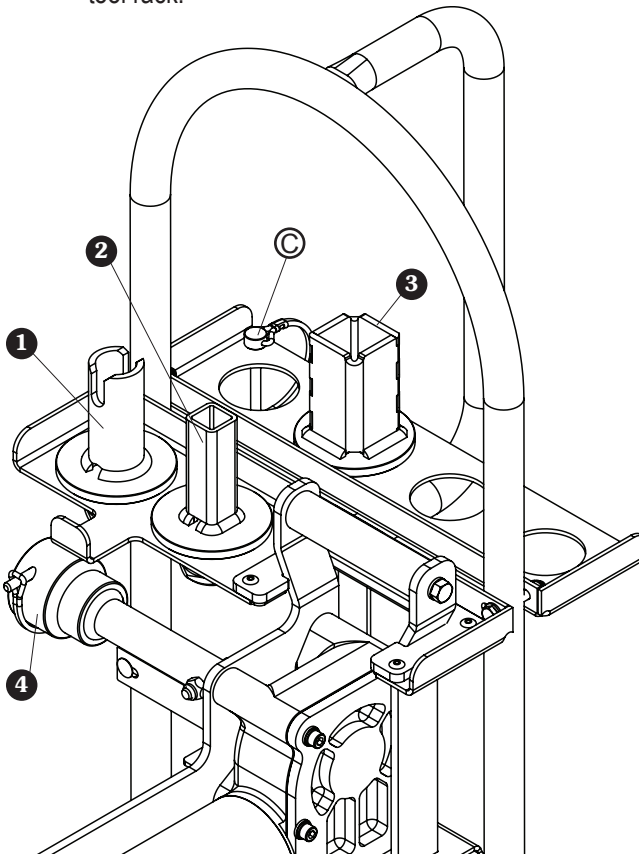


Item	Part #	Description
1.	1128517	Adapter 1
2.	1128519	Adapter 2
3.	1128521	Adapter 3
4.	1128524	Adapter 4
C.	1706357	Lock Pin

**STEP 1:** Use side cutter to cut cable ties securing cable and drive assembly to cart.

**STEP 2:** Remove battery box cover and unload bag of miscellaneous components and hardware.

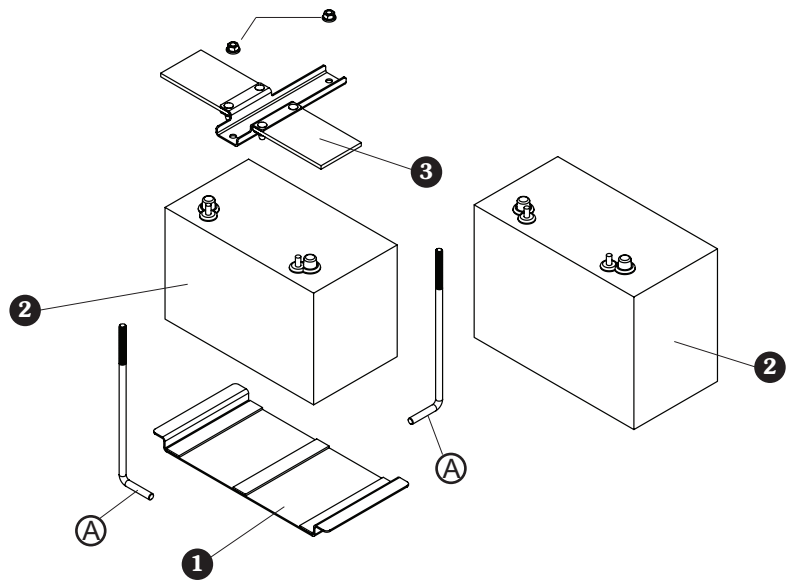
**STEP 3:** Remove adaptors and lock pin from bag and place in tool rack.





Item	Part #	Description
1.	1128226	Group 27 Battery Tray
2.		Group 27 Battery (not supplied) Group 31 Battery (not supplied)
3.	1128234	Battery Hold-Down Bar
A.	1128207	L-Bolt - 3/4" x 10'
B.	1704945	Flanged Nylon Nut - 3/8"

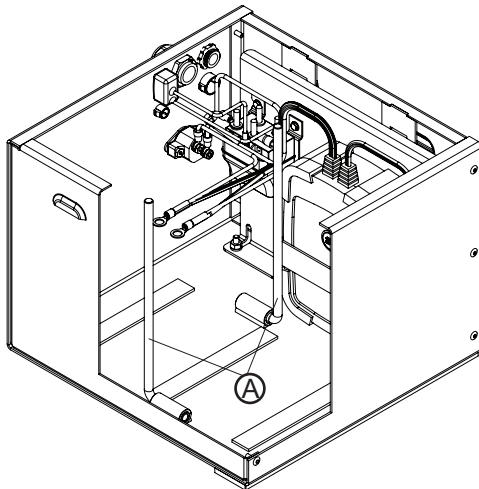
**NOTE:** Battery box is designed for a Group 27 or Group 31 Deep-Cycle battery. Use of any other size or type may cause damage and/or reduced performance of TrapAdapt™.



**WARNING**

Cover battery post during assembly process to avoid shorting out battery posts. Failure to do so may result in injury or death.

**STEP 1:** Install two L-Bolts (A) into two L-Bolt tubes on bottom of battery box. Long arm of L-Bolt will be on center line of battery box.

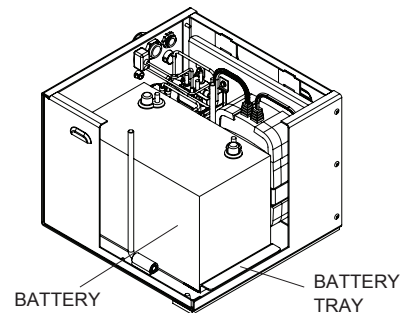


IF USING GROUP 31 BATTERY SKIP, TO STEP 4.

**GROUP 27 BATTERY INSTALL**

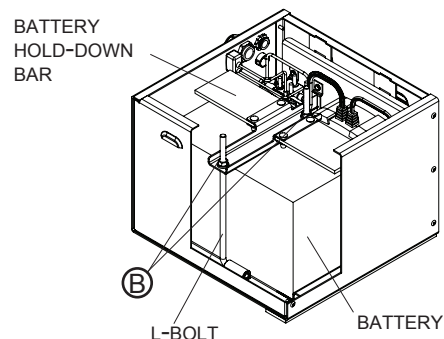
**STEP 2:** Place Group 27 battery tray and battery into battery box.

**NOTE:** Battery posts must be towards center of battery box.



**STEP 3:** Secure battery to box using hold-down bar (3) and two flanged nylon lock nuts (B).

**NOTE:** Rubber belting on hold-down bar should be installed towards center of battery box covering battery posts.

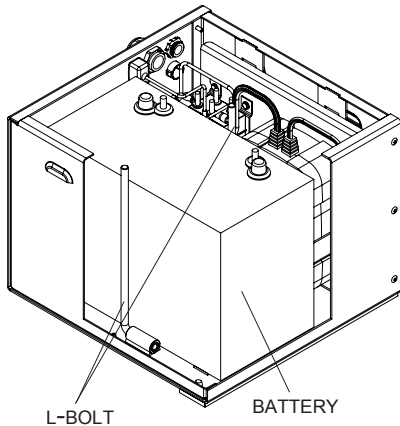


SKIP TO STEP 6

**GROUP 31 BATTERY INSTALL**

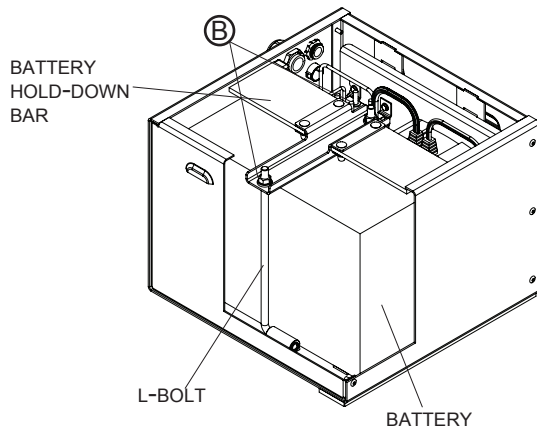
**STEP 4:** Place the Group 31 battery into battery box.

**NOTE:** Battery posts must be towards center of battery box.



**STEP 5:** Secure battery to box using hold-down bar and two flanged nylon lock nuts ②.

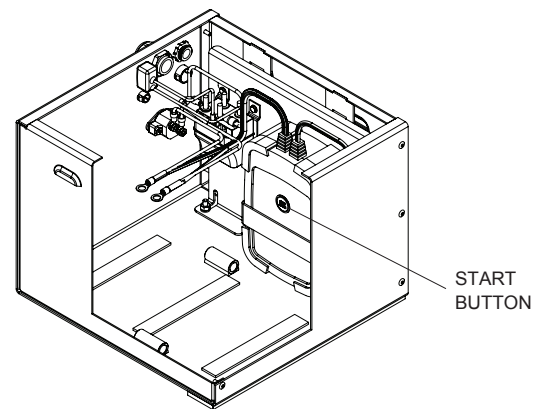
**NOTE:** Rubber belting on hold-down bar should be installed towards center of battery box covering battery posts.



**STEP 6:** Secure black (-) ring terminal to (-) negative threaded battery terminal using correct size nut (not supplied). Secure red (+) ring terminal to (+) positive threaded battery terminal using correct size nut (not supplied).

**STEP 7:** With cover removed, extend battery charger/maintainer power cord from battery box and plug into a 110V wall outlet. Press START button.

**NOTE:** If START button is not pressed, battery charger/maintainer will automatically start after 10 minutes.

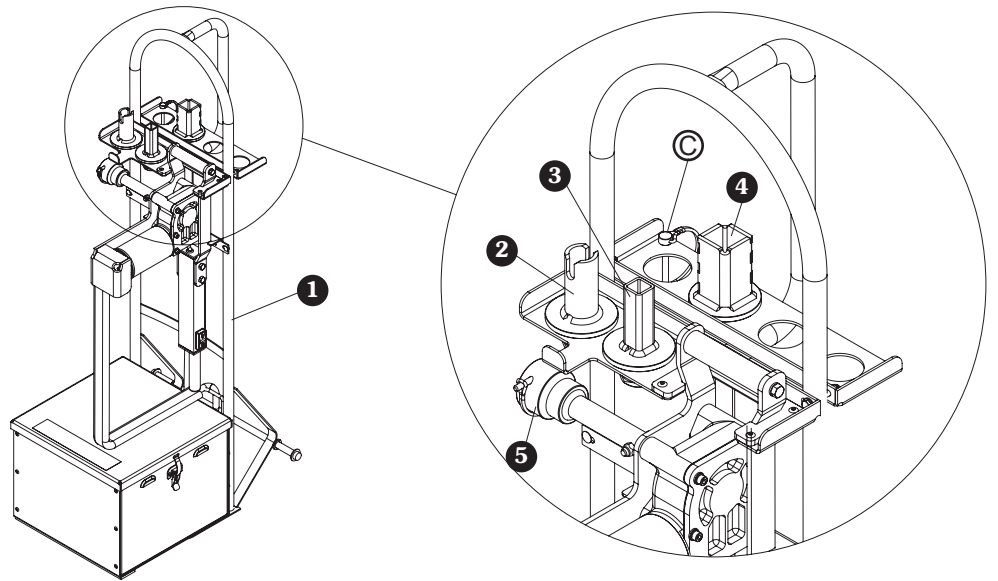


**STEP 8:** If red 'CLAMPS REVERSED' LED light is flashing, disconnect power and verify correct ring terminal is on correct battery post. If correct, contact Shur-Co® Customer Service.

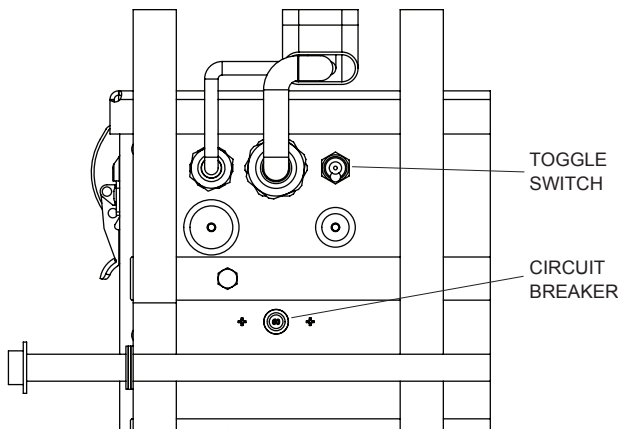
**NOTE:** Review battery charger manual for trouble shooting information and definitions of LED lights.

**STEP 9:** If yellow/orange or green charging LEDs are lit, leave charger plugged in overnight to fully charge new battery.

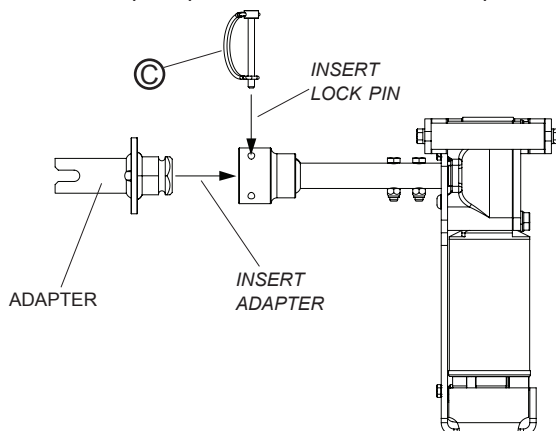
Item	Part #	Description
1.	1128202	TrapAdapt™
2.	1128517	Adapter 1
3.	1128519	Adapter 2
4.	1128521	Adapter 3
5.	1128524	Adapter 4
C.	1706357	Lock Pin



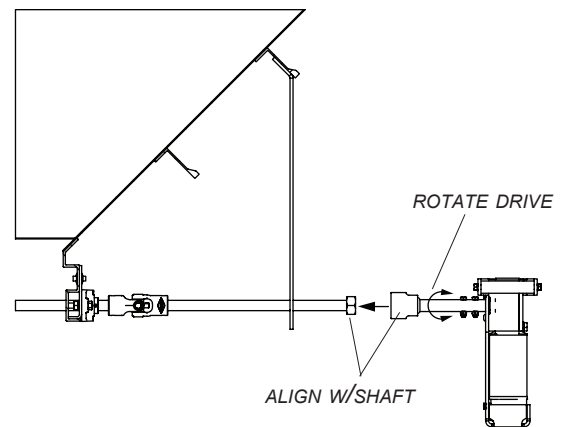
**STEP 1:** Press circuit breaker button to verify circuit breaker is not tripped. Move toggle switch to ON position.



**STEP 2:** Inspect trap shaft on trailer and determine if an adaptor is needed. If adaptor is needed, install adaptor into TrapAdapt™ drive. Secure with lock pin C.

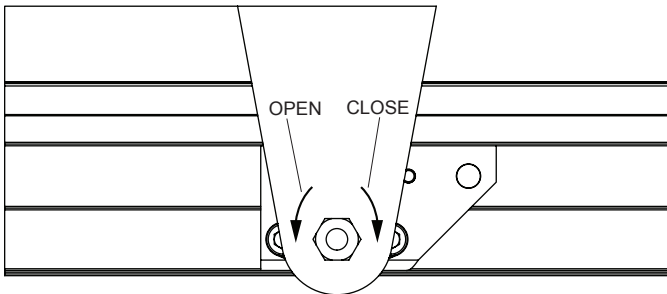


**STEP 3:** Unlock manual lock on trailer hopper trap shaft to be operated. Using rocker switch on TrapAdapt™, arm rotate drive (and adaptor) until aligned to trailer hopper trap shaft. Move TrapAdapt™ drive (and adaptor) to engage trailer hopper trap shaft.

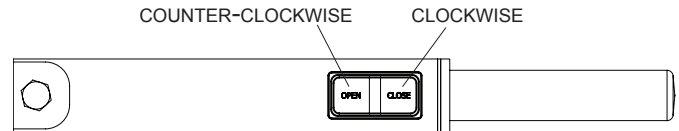


**⚠ WARNING**  
 Read and understand notice to operators and safety precautions of manual. Failure to do so can result in property damage and/or personal injury.

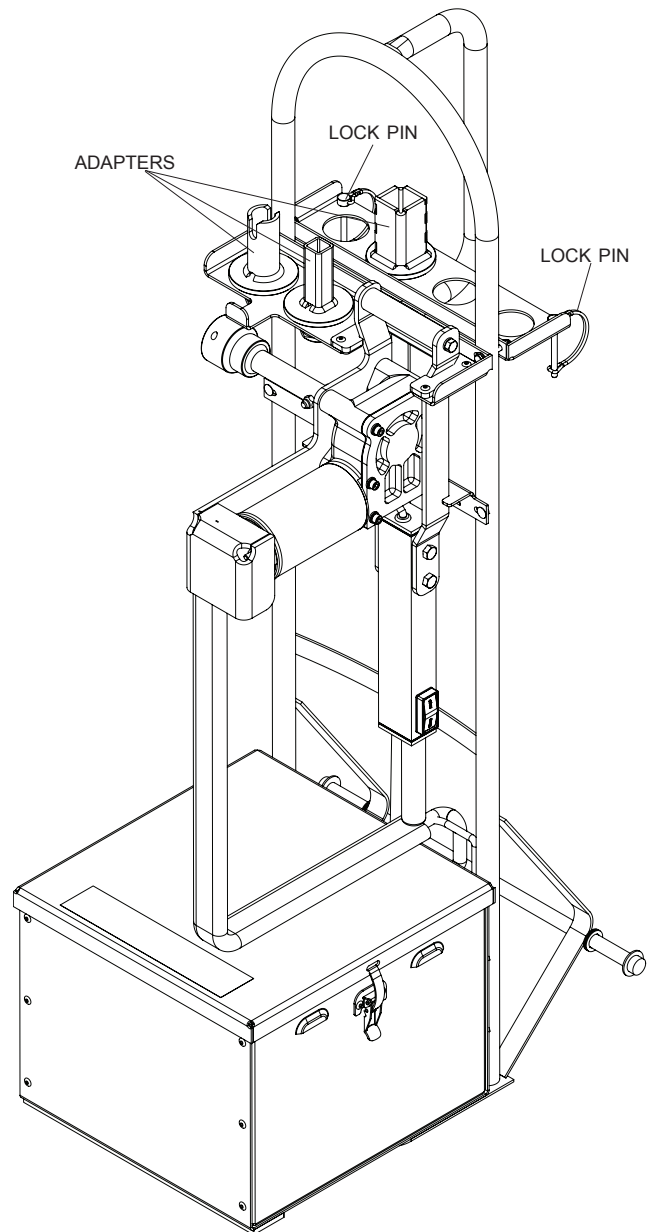
**STEP 4:** Look at trailer hopper trap and determine direction of rotation of drive that will be required for initial operation. This will vary from trap to trap.



**STEP 5:** Use rocker switch to engage motor and rotate Tra-pAdapt™ drive shaft in correct direction that was determined in Step 4 for initial direction of travel.



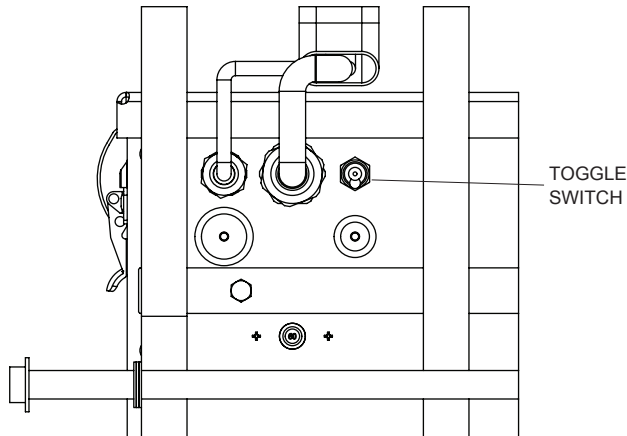
**STEP 6:** Once trap operations are completed, return adaptors and lock pins to correct storage locations on cart.



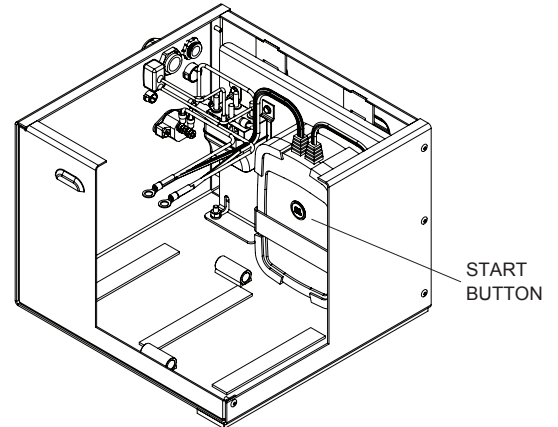
**⚠ WARNING**

Each operator is required to supply a resultant force that counteracts/balances and/or resists natural torque and kickback forces generated during the trap opening process. FAILURE TO DO SO CAN RESULT IN PROPERTY DAMAGE AND/OR PERSONAL INJURY.

**STEP 1:** Move toggle switch to off position.



**STEP 2:** With cover removed, extend battery charger/maintainer power cord from battery box and plug into 110V wall outlet. If START button is not pressed, battery charger/maintainer will automatically start after 10 minutes. Or you may press START button now.



- 1) Inspect car and ensure it is in good working condition.
- 2) Inspect drive socket and adaptors for damage and wear.
- 3) Inspect power cables and sleeve for damage.
- 4) Remove cover and inspect batter charging cord for damage and wear.
- 5) Inspect battery posts for corrosion.
- 6) Inspect decals for damage.

\*Contact Shur-Co® Customer Service 1-866-748-7435 for Genuine Shur-Co® replacement parts.



# MORE QUALITY PRODUCTS FROM SHUR-CO®

---

- **Genuine Replacement Tarps**
- **Genuine Replacement Parts**
  
- **Agriculture Products**
  - *The Original Shur-Lok*®
  - **Turning Point**™ Bow
  - **Shur-Lok**® Junior
  - **Premium Belt 'n Ratchet**
  - **Cable-Lok**™
  - **Tater-Top**™
  
- **SMARTrailer**™ Accessories for Agriculture Products
  - **SMART2**™ Remote
  - **SMART3**™ Remote
  - **4500 Series HD Electric**
  - **Electric Shur-Lok**®
  - **AutoTrap**™ Hopper Opener
  - **ProTrap**® Hopper Opener
  - **Electric Gate & Hoist**
  - **DriveMaxx**™ Auger Drive
  - **Electric Farm Swing Gate**
  - **LiteALL**™ Work Lights
  - **Cable-Lok**™ Electric Upgrade
  - **Electric Turning Point**™ Bow
  - **Solar Power Pack**
  - **Tater-Top**™ Electric
  - **Service Truck Power Kit**
  
- **Construction Products**
  - *The Original Shur-Lok*®
  - **Turning Point**™ Bow
  - **Shur-Trak II**™
  - **IronSide II**™
  - **Shur-Matic**™
  
- **SMARTrailer**™ Accessories for Construction Products
  - **4500 Series HD Electric w/Gate Flex**™
  - **Shur-Trak II**™ Electric Upgrade
  - **Electric Turning Point**™ Bow
  - **Solar Power Pack**
  
- **Custom Products**
  - **Fitted Truck Covers**
  - **Flat Utility Tarps**
  - **Bean Drill Covers**
  - **Gustbuster**™ Tarp Cords
  - **SMARTwire**™

TARPING SYSTEMS & ACCESSORIES

