

BOX DETAIL SHEET FOR TATER-TOP™ FOR POTATO TRAILERS

ALL TARPS ARE CUSTOM-MADE TO ORDER AND ARE NON-RETURNABLE. CORRECT PHYSICAL MEASUREMENTS ARE ESSENTIAL FOR PROPER TARP FIT. PROVIDE ALL REQUESTED INFORMATION OR YOUR ORDER MAY BE DELAYED. DO NOT USE UNIVERSAL BOX SIZES. ALWAYS USE ACTUAL MEASUREMENTS. NOTE: AT THIS TIME, PRODUCT WILL NOT WORK WITH CONVEYOR BELT AUGERS.

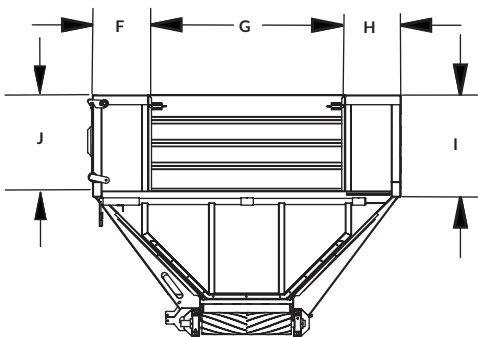
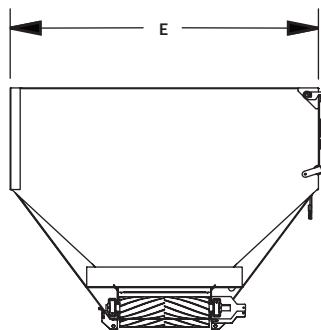
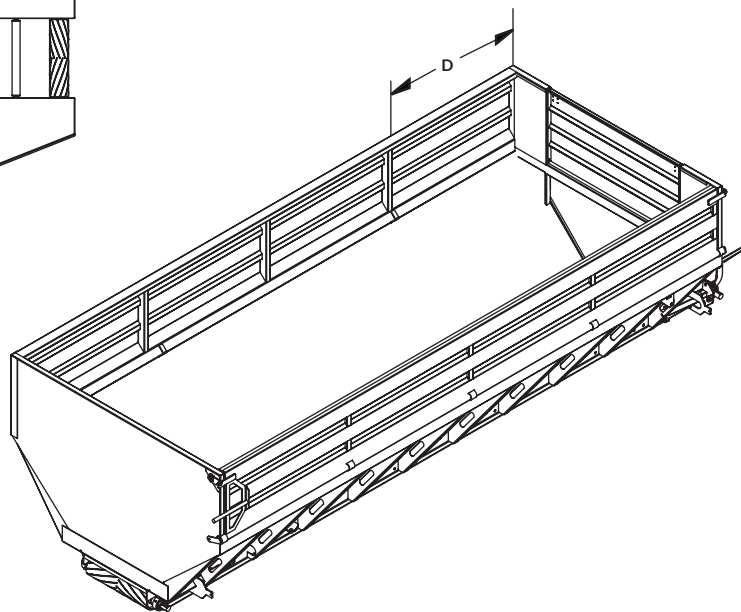
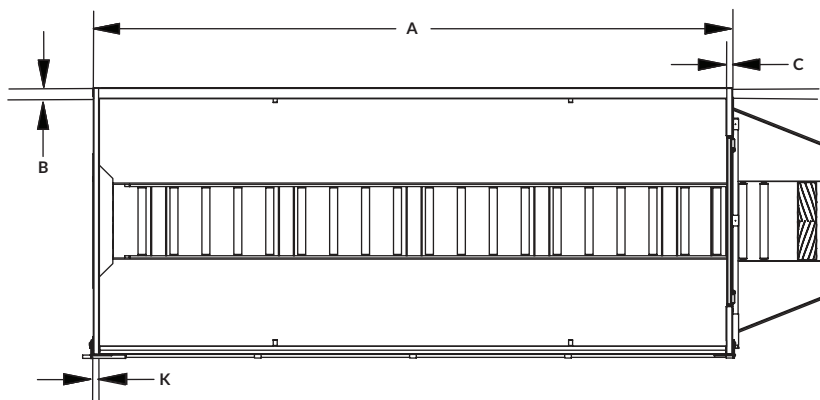
CONTACT INFORMATION

NAME _____
 ADDRESS _____
 EMAIL _____
 CITY _____ STATE _____ ZIP _____
 PHONE _____ FAX _____
 TRAILER MAKE _____
 MODEL _____ YEAR _____

TRAILER DIMENSIONS

G13BD-0619

- A _____ OUTSIDE BOX LENGTH
- B _____ PASS TOP RAIL WIDTH
- C _____ FRONT TOP RAIL WIDTH
- D _____ PASS RIB DISTANCE
- E _____ OUTSIDE BOX WIDTH
- F _____ DOOR REAR WALL WIDTH
- G _____ REAR DOOR WIDTH
- H _____ PASS REAR WALL WIDTH
- I _____ PASS SIDE WALL HEIGHT
- J _____ REAR DOOR HEIGHT
- K _____ FRONT WALL OBSTRUCTIONS (MEASURE HOW FAR OUT THESE EXTEND)



ADDITIONAL INFORMATION NEEDED

- FIXED REAR GATE FOLD-IN WALL

_____ CATWALK HEIGHT (MEASURE TOP OF GATE TO TOP OF CATWALK)

_____ LADDER PLATFORM HEIGHT (MEASURE TOP OF GATE TO TOP OF CATWALK)