



TARP SYSTEMS, PARTS & TARPS

P/N 1809445 Rev. B

OWNER'S MANUAL



UT Tarp Kit™ w/o Tarp
(P/N 1809414 w/o Mounting Plates)
(P/N 1809905 w/Mounting Plates)

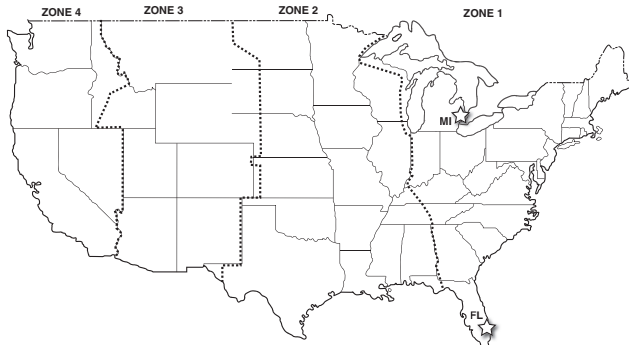
READ BEFORE INSTALLING

3353 SE GRAN PARK WAY ■ STUART, FL 34997
PHONE 1-800-327-8287 ■ FAX 772-287-0431
www.donovan-tarps.com

PREPAID FREIGHT POLICY. Shur-Co[®], LLC will prepay freight on eligible orders* of Florida-manufactured Donovan products and tarp items shipped from our FL and MI branches that meet the dollar requirements for the shipping destinations specified below.

*Valid within the continental 48 states only. Applies to products purchased at standard pricing; any special pricing will void standard prepaid freight policy and will be addressed on a case-by-case basis. Does NOT apply to Bedliners or Shur-Co[®] Flatbed products.

INTO FL/MI: Freight prepaid on orders of \$2,500 or more or tarp-only orders of \$1,500 or more. INTO ZONES 1 & 2: Freight prepaid on orders of \$3,000 or more or tarp-only orders of \$2,500 or more. INTO ZONES 3 & 4: Freight prepaid on orders of \$6,000 or more or tarp-only orders of \$3,000 or more.



WARRANTY. We warrant all new products are free of defects in materials and workmanship.* This warranty is effective if products are properly installed and used for the purpose for which they were intended and applies to the original buyer only. Except as set forth above or in any product-specific warranty documentation, we make no other warranties, express or implied, including but not limited to warranties of merchantability of fitness for a particular use.

Returns of a product for warranty must be accompanied by a Return Merchandise Authorization number (RMA#), obtained by calling Customer Service at 800-327-8287, and sent, freight paid by us, to Donovan, 3353 SE Gran Park Way, Stuart, FL 34997. All products returned without an RMA# will be refused. When we issue the RMA#, we will also issue a call tag to have U.P.S. (or other freight company) pick up the product. C.O.D. returns not accepted.

We will pay no storage fees for a warranty product return prior to pick by us or the freight company. If a warranty product return is scheduled to be picked up by us, we will pick up the product at our earliest convenience. If a product returned is found, in our judgement, to be defective in material or workmanship, our obligation under this warranty is limited to the repair or replacement of the product, which will be made by us. Repair or replacement will be at our discretion, with replacements being made using current products performing in the equivalent function. Labor charges, other than those incurred at our factory, including, but not limited to, any labor to install a repaired or replacement product, are not covered under this warranty. All expenses associated with delivering defective products to our factory and delivering repaired or replacement products from our factory to the owner will be paid by us.

If the product returned is found, in our judgement, to be non-warrantable, the owner will be contacted to authorize repair work, purchase of a replacement product or return of the product, all of which will be at the owner's expense. Payment authorization must be received by us before any non-warrantable product is repaired, replaced or returned. All expenses associated with delivering the repaired non-warrantable product, a replacement product or the non-warrantable product from our factory to the owner will be paid by the owner.

In no event will we be liable for any damages of any kind to person, product or property, including but not limited to indirect, incidental, special, consequential or punitive damages, or damages for loss of profits or revenue, even if we have been advised of the possibility of such damages. There are no warranties for used products or products that have been repaired, altered, modified or subjected to misuse, negligence or accident. We will not repair or replace products that fail or malfunction due to ordinary wear and tear, except as expressly noted in a product-specific warranty. Use of non-Shur-Co[®], LLC parts in conjunction with Shur-Co[®], LLC products will void this product warranty.

*Certain products have specific warranties that differ from this warranty, for example motors and electronics. Product-specific warranty documentation is available for these items. In the event of a conflict between this warranty and a product-specific warranty, the product-specific warranty will govern.

RETURN POLICY. All sales final. See WARRANTY above for return details.

OTHER. All prices, product listings, sizes, weights and manufacturing details are subject to change without notice. No person is authorized to modify the foregoing conditions of sale whatsoever.

SHUR-CO[®], LLC SERVICE AND DISTRIBUTION CENTERS

Corporate HQ and Outlet Store

SHUR-CO[®] of SOUTH DAKOTA

2309 Shur-Lok St., PO Box 713, Yankton, SD 57078
Ph 800.474.8756 | Fax 605.665.0501

SHUR-CO[®] of FLORIDA

3353 SE Gran Park Way, Stuart, FL 34997
Ph 800.327.8287 | Fax 772.287.0431

SHUR-CO[®] of IDAHO

610 N. 16th Ave., Caldwell, ID 83607
Ph 208.455.1046 | Fax 208.455.1046

SHUR-CO[®] of ILLINOIS

3993 E. Mueller Ave., Decatur, IL 62526
Ph 866.356.0246 | Fax 217.877.8270

SHUR-CO[®] of IOWA

3839 Midway Blvd., Ft. Dodge, IA 50501
Ph 866.356.0245 | Fax 515.576.5578

Preferred Donovan-Brand Seller

SHUR-CO[®] of MICHIGAN

5100 Lakeshore Dr., Lexington, MI 48450
Ph 800.327.8287 | Fax 772.287.0431

SHUR-CO[®] of NORTH DAKOTA

1746 4th Ave. NW, West Fargo, ND 58078
Ph 877.868.4488 | Fax 701.277.1283

SHUR-CO[®] of OHIO

4676 Lynn Rd.
Rootstown, OH 44266
Ph 866.356.0242 | Fax 330.297.5599

SHUR-CO[®] UK, Ltd.

Unit 41 Rochester Airport Estates
Laker Rd., Rochester, Kent ME1 3QX
Ph +44 (0)179.547.3499
Fax +44 (0)871.272.8278

ShurTite[™] Service Centers

SHUR-CO[®] of CANADA

490 Elgin St., Unit #1
Brantford, Ontario N3S 7P8
Ph 800.265.0823 | Fax 519.751.3997

SHUR-CO[®] of IDAHO

Ph 208.455.1046 | Fax 208.455.1046

SHUR-CO[®] of ILLINOIS

Ph 866.356.0246 | Fax 217.877.8270

SHUR-CO[®] of OHIO


Ph 866.356.0242 | Fax 330.297.5599

For more information, log on to our website:

www.donovan-tarps.com

MESSAGE TO OWNERS

Thank you for buying this tarping system from Shur-Co®. We appreciate your confidence in our products. Please read and thoroughly understand this manual before installing and/or operating this system.

Pay particular attention to important safety and operating instructions, as well as warnings and cautions. The hazard symbol  is used to alert users to potentially hazardous conditions and is followed by caution, warning or danger messages.

Failure to READ AND FOLLOW INSTRUCTIONS could result in failure of your tarping system and/or personal injury. Your trailer requirements may, however, call for minor variations to these instructions.

Please inspect your tarping system periodically. Repair or replace worn or damaged parts to your system.

QUESTIONS? CALL OUR HELP LINE:
1-800-327-8287
MON-FRI 8 AM-5 PM EASTERN TIME

SAFETY

We at Shur-Co® are concerned with your safety and the safety of all those operating this system. Therefore, we have provided safety decals at various locations on your tarping system. Keep decals as clean as possible at all times. Replace any decal that has become worn or damaged, painted over or otherwise difficult to read. Replacement decals are available through Shur-Co® dealers.

SAFETY INSTRUCTIONS

- 1. Always wear safety glasses during installation and operation.**
- 2. Stay clear of moving parts.**
- 3. Do not operate under low-hung power lines. Always check for overhead obstructions before opening or closing.**
- 4. Open and close tarp only at job site.**
- 5. Place safety decals in visible locations. Replace worn or damaged decals.**
- 6. No other use of this system is authorized, except as designed.**

RUST PREVENTION

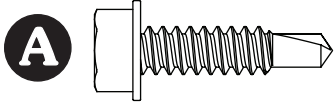
To prevent rust, paint all exposed metal such as weld seams and/or metal exposed by grinding or cutting, with corrosion-resistant paint.

TABLE OF CONTENTS

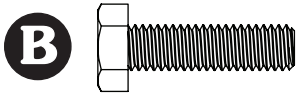
Hardware Identification..... 1
 Tarp Roller Installation..... 2-4
 Tarp Selection..... 5

TOOLS REQUIRED

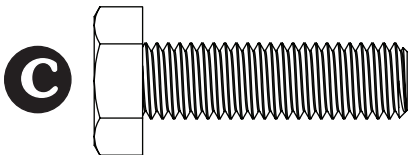
1. Wrenches - 10mm, 17mm
2. Ratcheting Socket Wrench
3. Sockets - 10mm, 17mm
4. Allen Wrenches - 3mm, 1/8"
5. Drill Bits (metal cutting) - 1/4", (Z) .413, 1-1/4" Hole Saw
6. Center Punch
7. Hammer
8. Tape Measure
9. Flat Head or Phillips Screwdriver
10. Grinder
11. Metal Saw
12. Steel Welder
13. Hex Driver Bit - 8mm



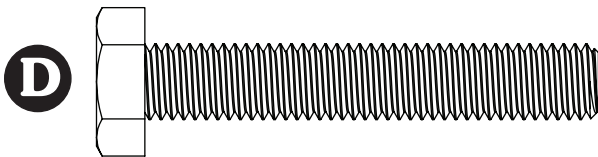
Self-Drilling Screw - M5 x 25



Cap Screw - M6 x 22



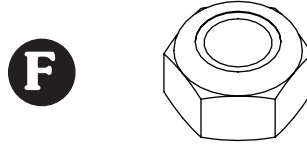
Cap Screw - M10 x 1-1/2" x 35 LG



Cap Screw M10 x 1-1/2" x 60 LG



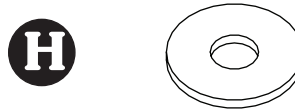
Nylon Lock Nut - M6 x 1"



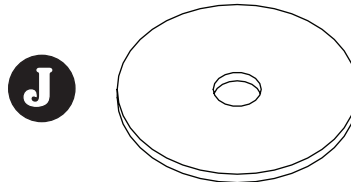
Nylon Lock Nut - M10 x 1-1/2"



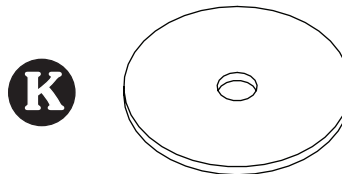
Space Washer - .264 OD x .436 IN



Flat Washer - 6.4 ID x 18 OD

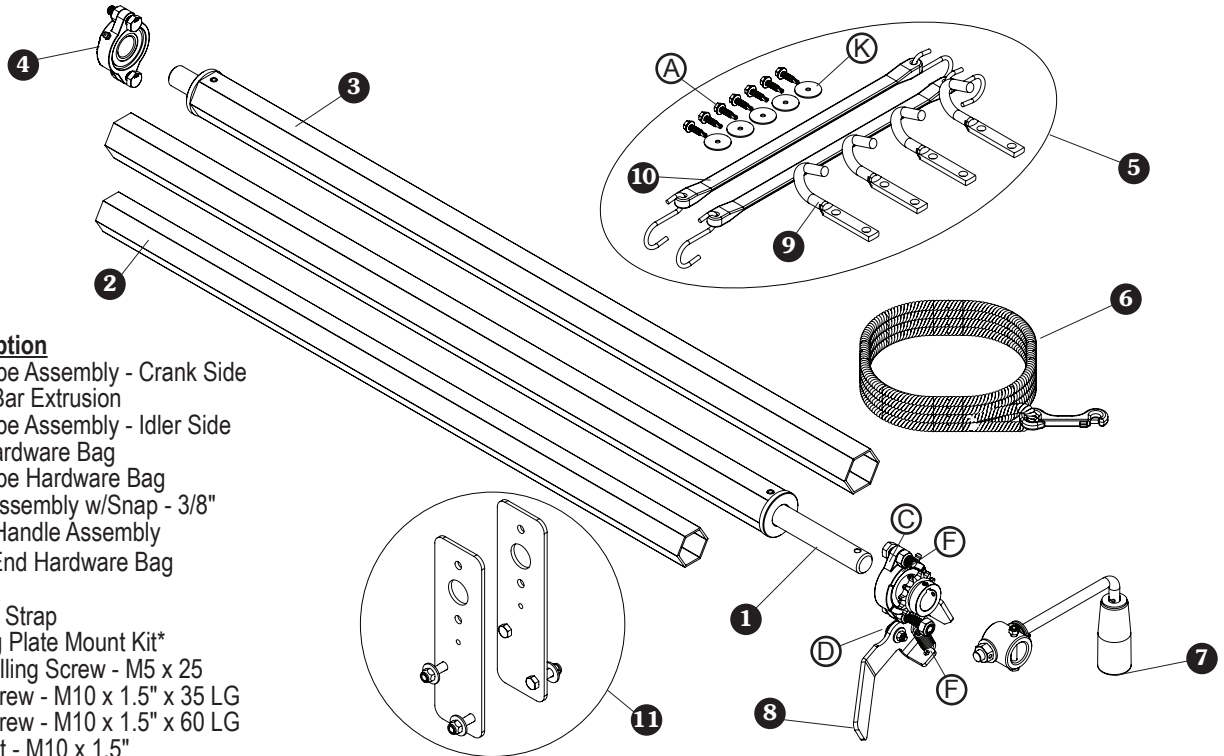


Flat Nylon Washer - 1/4" ID x 1-1/4" OD



Flat Washer - 5.3 ID x 30 OD

Inspect parts upon arrival. Contact dealer if any parts are missing.
Read and understand instructions for entire system before beginning installation.

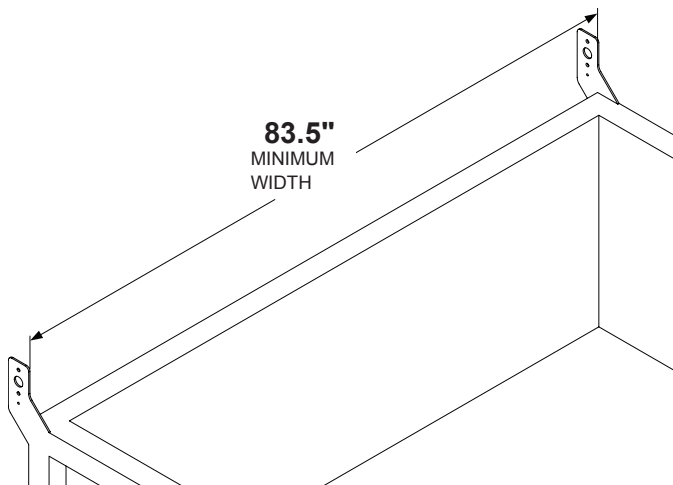


Item Description

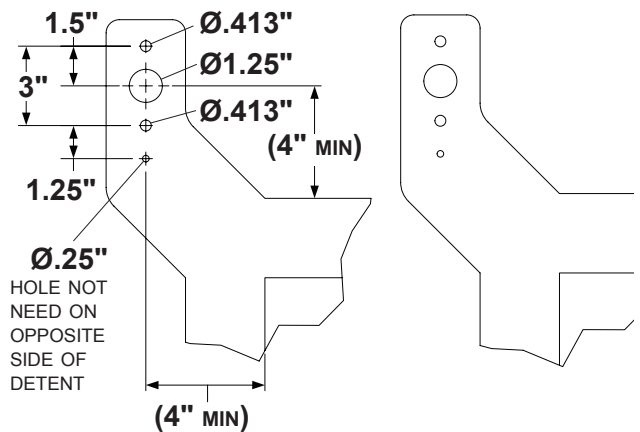
- 1. Roll Tube Assembly - Crank Side
- 2. Roller Bar Extrusion
- 3. Roll Tube Assembly - Idler Side
- 4. Idler Hardware Bag
- 5. Roll Tube Hardware Bag
- 6. Rope Assembly w/Snap - 3/8"
- 7. Crank Handle Assembly
- 8. Crank End Hardware Bag
- 9. J-Hook
- 10. Rubber Strap
- 11. Bearing Plate Mount Kit*
- A. Self-Drilling Screw - M5 x 25
- C. Cap Screw - M10 x 1.5" x 35 LG
- D. Cap Screw - M10 x 1.5" x 60 LG
- F. Hex Nut - M10 x 1.5"
- K. Flat Washer - 5.3 ID x 30 OD

*Included with UT Tarp Kit w/Mounting Plates P/N1809905

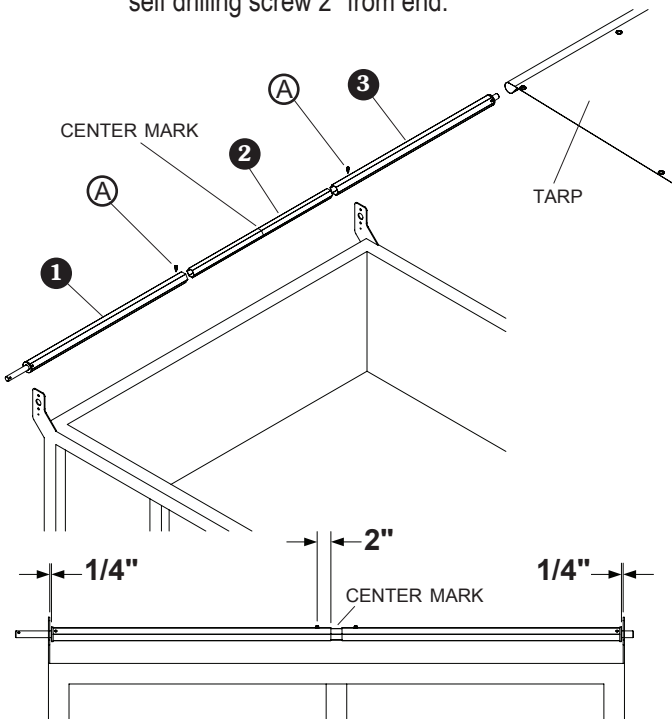
STEP 1: Tarp roller tube assembly requires a minimum of 83.5" for installation without modifications. For widths under, roll tube assembly crank side ❶ and idler side ❸ will need to be shortened.



STEP 2: The tarp roller should be mounted as far forward as possible to prevent damage when loading. Allow enough clearance for tarp to wrap around roller tube assembly. Holes must align from side-to-side.

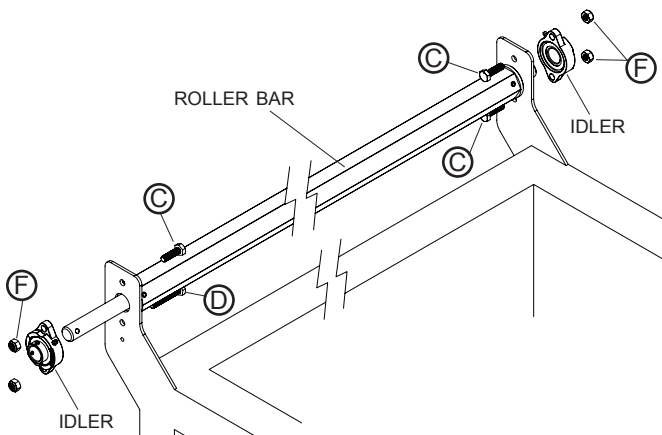


STEP 3: Mark center of roll bar extrusion ②, slide roll tube assemblies ①, ② and ③ together. Place three tubes between mounting brackets leaving 1/4" space on each end. Slide center tube ② to the midpoint and run the self drilling screw 2" from the end of ①. Slide item ③ towards the center and remove from bracket. Slide tarp (sold separately) pocket over roller tube assembly. Slide ③ back in mounting bracket and attach self drilling screw 2" from end.

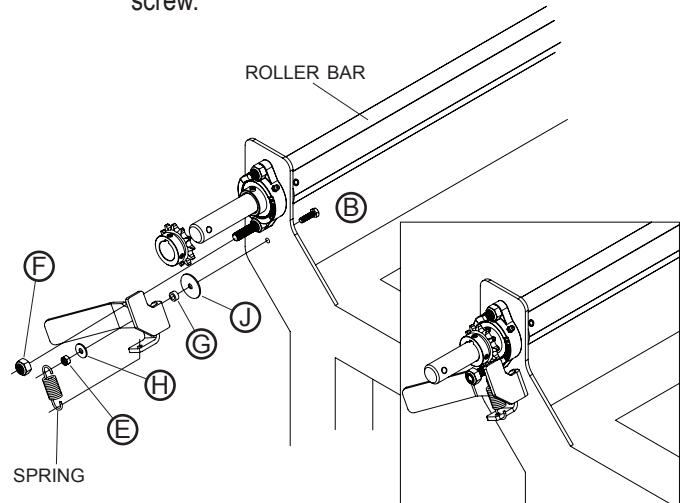


NOTE: If using pull bar option, do not slide tarp pocket over roller tube assembly. Pocket will go to rear of dump box (Step 7).

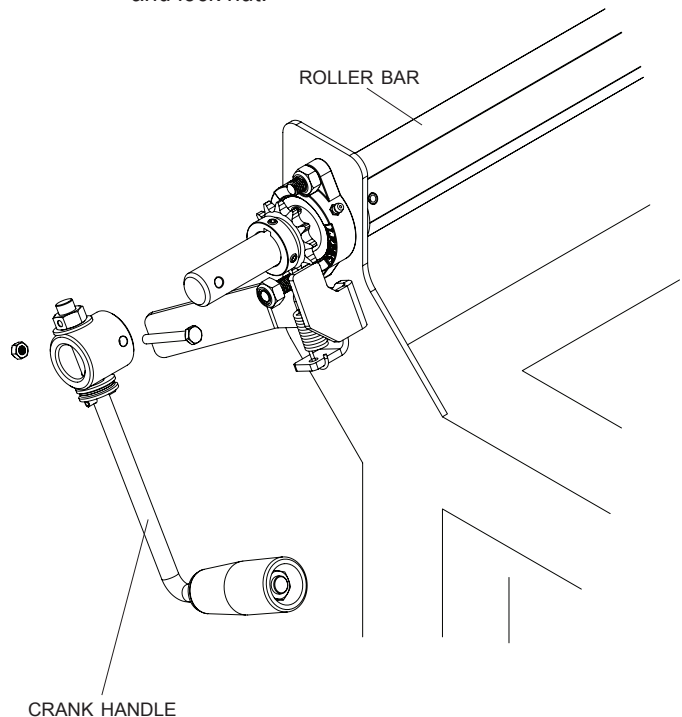
STEP 4: Slide bearings over axle ends, fasten bearings with cap screw ④ and lock nuts ⑤ to mounting plates. Longer cap screw ⑥ must be on the bottom side of the bearing next to the detent hole. Center roller tube assembly and tighten set screws in each bearing.



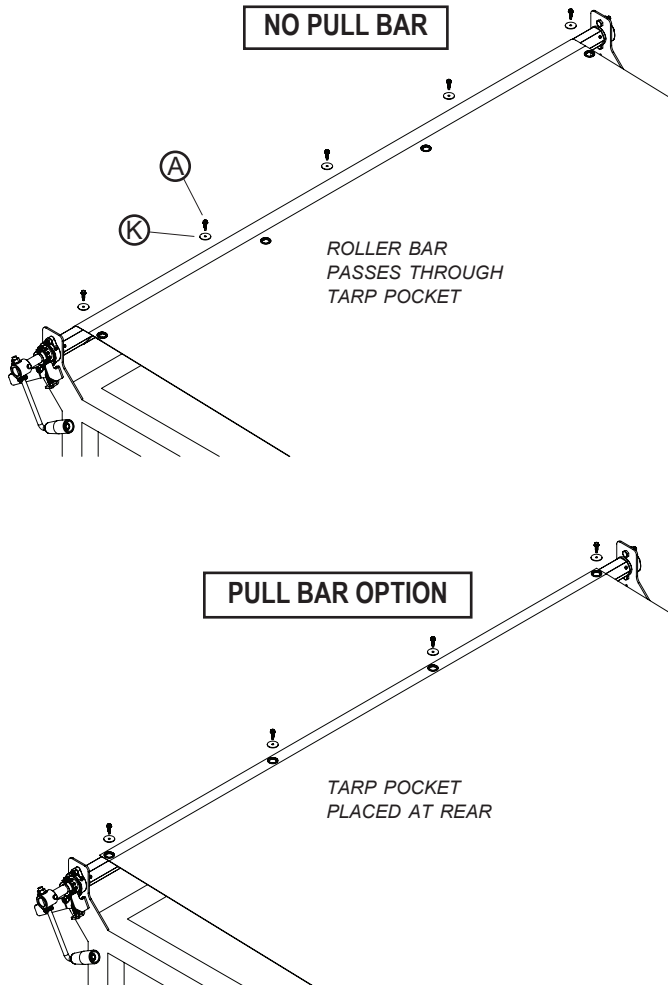
STEP 5: Slide sprocket hub up against bearing and tighten set screws. Insert detent cap screw ③ and nylon washer ⑦, spacer washer ⑧, detent lever, washer ⑨ and lock nut ⑩. Hook spring to detent lever and bearing cap screw. Place lock nut ⑪ on end of long bearing cap screw.



STEP 6: Fasten crank handle to end of axle with cap screw and lock nut.

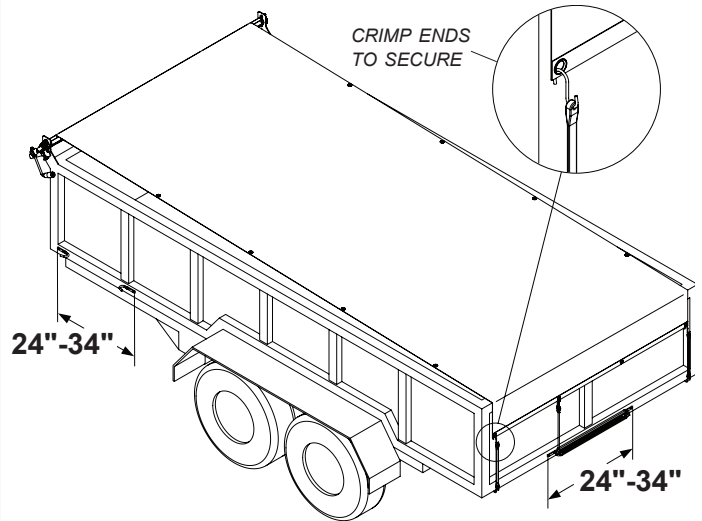


STEP 7: Center tarp on roller tube assembly, using washers (K) and self drilling screws (A). Evenly space five fasteners along roller tube assembly and run screw through tarp into roller tube assembly.

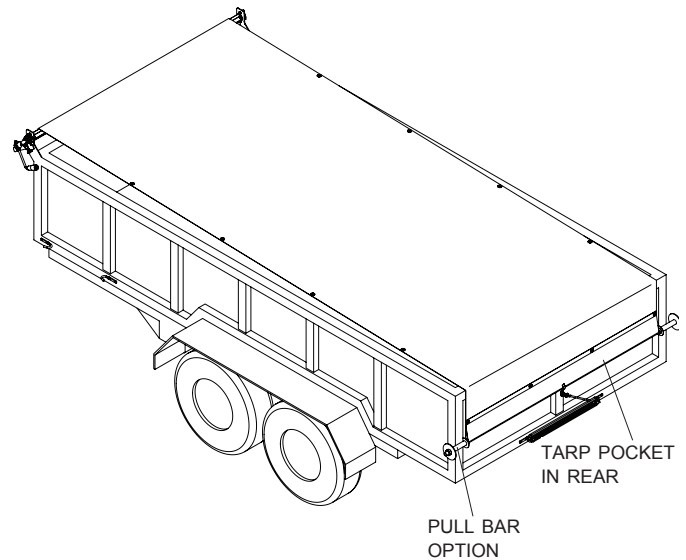


NOTE: Pull bar option, run washers (K) and self drilling screws (A) through grommets for locations along roller tube assembly

STEP 8: Place set of storage hooks at rear and front of dump box. Keep hooks 24" - 34" apart wrapping rope when not in use. Rope storage hooks can be bolted or welded (fasteners not supplied). Assemble the S-hooks to the rubber straps. Secure S-hooks to tarp and rubber straps by crimping ends.



STEP 9: Option Pull Bar (P/N 1800034)



P/N	Tarp Description
1809810	Black Mesh Tarp - 54' x 10'
1808621	Black Mesh Tarp - 59-1/2' x 10'
1808721	Black Mesh Tarp - 59-1/2' x 14'
1809764	Black Mesh Tarp - 59-1/2' x 16'
1809811	Black Mesh Tarp - 60' x 12'
1809812	Black Mesh Tarp - 60' x 14'
1809813	Black Mesh Tarp - 64' x 10'
1809814	Black Mesh Tarp - 64' x 12'
1809815	Black Mesh Tarp - 66' x 14'
1809816	Black Mesh Tarp - 72' x 14'
1809037	Black Mesh Tarp - 76' x 14'
1809038	Black Mesh Tarp - 76' x 16'
1809039	Black Mesh Tarp - 76' x 18'
1809040	Black Mesh Tarp - 76' x 20'
1809041	Black Mesh Tarp - 76' x 22'
1809042	Black Mesh Tarp - 76' x 24'
1808622	Black Mesh Tarp - 76-1/2' x 12'
1809765	Black Mesh Tarp - 76-1/2' x 18'
1809817	Black Mesh Tarp - 78' x 15'
1809818	Black Mesh Tarp - 78' x 18'
1809819	Black Mesh Tarp - 80' x 14'
1809820	Black Mesh Tarp - 80' x 16'
1809766	Black Mesh Tarp - 81.5' x 20'
1800141	Black Mesh Tarp - 84' x 10'
1801280	Black Mesh Tarp - 84' x 12'
1801281	Black Mesh Tarp - 84' x 14'
1801282	Black Mesh Tarp - 84' x 16'
1801283	Black Mesh Tarp - 84' x 18'
1801284	Black Mesh Tarp - 84' x 20'
1801459	Black Mesh Tarp - 84' x 22'
1801429	Black Mesh Tarp - 84' x 24'

P/N	Tarp Description
1801460	Black Mesh Tarp - 84' x 26'
1801578	Black Mesh Tarp - 84' x 28'
1801577	Black Mesh Tarp - 84' x 30'
1800142	Black Mesh Tarp - 84' x 32'
1802132	Black Mesh Tarp - 84' x 34'
1802286	Black Mesh Tarp - 84' x 36'
1802936	Black Mesh Tarp - 84' x 38'
1802365	Black Mesh Tarp - 84' x 40'
1802369	Black Mesh Tarp - 84' x 42'
1803029	Black Mesh Tarp - 84' x 44'
1800000	Black Mesh Tarp - 90' x 10'
1800001	Black Mesh Tarp - 90' x 12'
1800002	Black Mesh Tarp - 90' x 14'
1800003	Black Mesh Tarp - 90' x 16'
1800004	Black Mesh Tarp - 90' x 18'
1800005	Black Mesh Tarp - 90' x 20'
1800006	Black Mesh Tarp - 90' x 22'
1800007	Black Mesh Tarp - 90' x 24'
1800008	Black Mesh Tarp - 90' x 26'
1800652	Black Mesh Tarp - 90' x 28'
1800009	Black Mesh Tarp - 90' x 30'
1800010	Black Mesh Tarp - 90' x 32'
1802163	Black Mesh Tarp - 90' x 34'
1802100	Black Mesh Tarp - 90' x 36'
1808617	Black Mesh Tarp - 90' x 38'
1808618	Black Mesh Tarp - 90' x 40'
1803546	Black Mesh Tarp - 90' x 42'
1802853	Black Mesh Tarp - 90' x 44'
1809763	Black Mesh Tarp - 95-1/2' x 24'
1809821	Black Mesh Tarp - 96' x 18'
1809822	Black Mesh Tarp - 96' x 22'

MORE QUALITY PRODUCTS FROM DONOVAN™

- **Construction Products**

- Arm-Matic™
- DuraPull™
- Econo-Pull™
- UT Tarp™
- 2000 Series
- 5000 Series
- Hammer™ II
- Bullet™
- Flash™

- **Waste Products**

- SWAT™
- Quick-Flip III™
- Sidewinder™
- Sidewinder™ 350
- HyTower™ SL
- HyTower™ DL
- Double-Flip™
- Donovan Belt & Ratchet (DBR)

TARP SYSTEMS, PARTS & TARPS

