

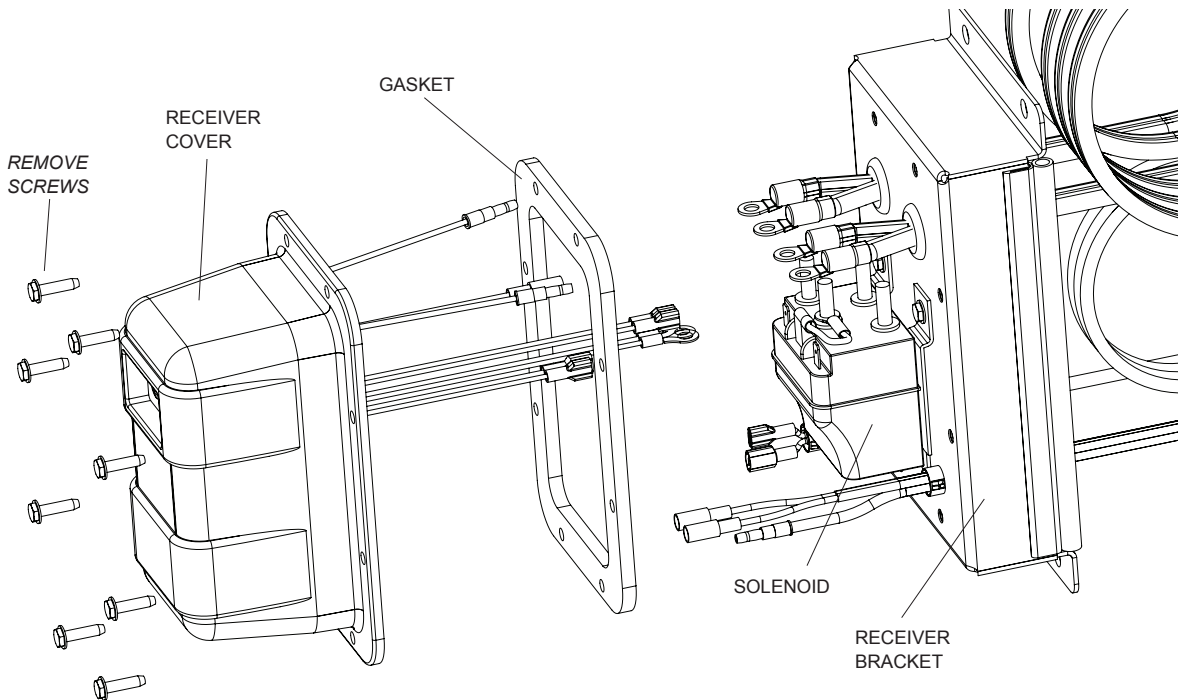
Item	Part #	Description
1.	1127473R	SMART3™ Solenoid Cover - Refurb
2.	1705791	Solenoid Cover Gasket
3.	1704367	Hex Flange Cap Screw - #10 x 3/4"

STEP 1: Disconnect power to trailer. Remove existing cover from the receiver bracket by removing eight screws with a 5/16" socket. Separate cover from bracket and gasket. DO NOT disconnect wire at this point.

STEP 2: Label each connection with tape to easily identify for reconnecting wires in Step 5.

HINT: Take photograph of existing wiring to reference later when reconnecting.

NOTE: Minimal force may be needed to break existing seal of gasket to box.



STEP 3: Disconnect nine wires freeing cover from solenoid and bracket.

STEP 4: Remove old gasket and clean all dirt and debris from receiver bracket. Place new gasket ② on bracket.

STEP 5: Connect wires from new SMART3™ cover ① to solenoid. Use wiring diagram below for reference.

STEP 6: Reconnect power to trailer and verify correct operation.

STEP 7: Replace solenoid and secure with new cap screws ③.

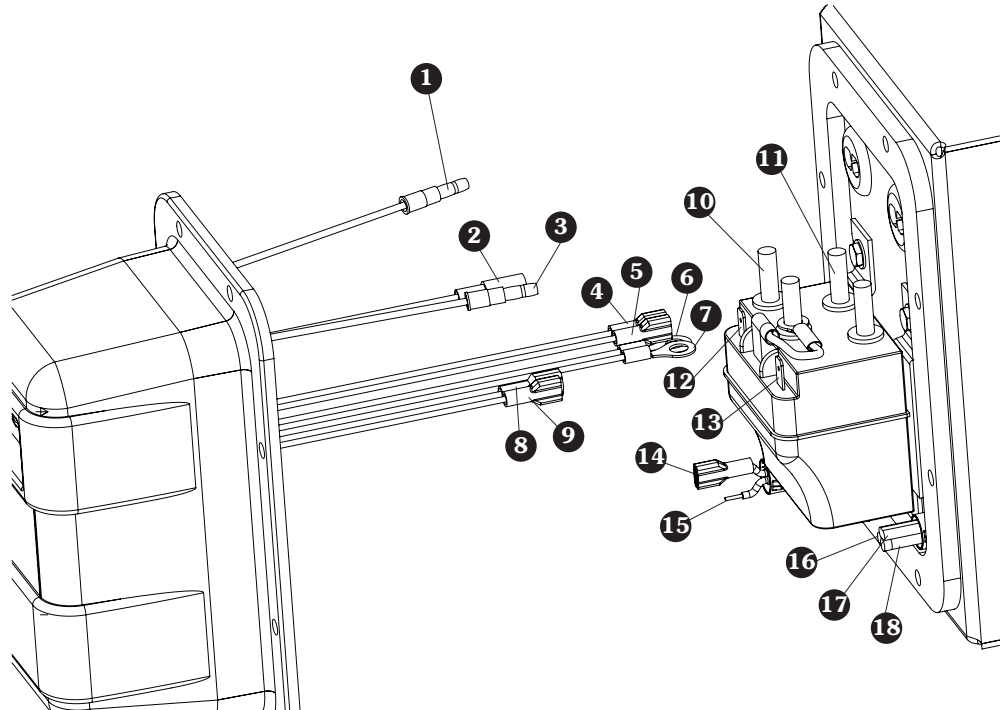
STEP 8: Use packaging from replacement receiver to box old receiver. Call Shur-Co® customer service help-line at 1-866-748-7435 to obtain an RMA number and arrange for UPS pick up.

NOTE: RMA's are required for all return shipments.

WIRING DIAGRAM

Item Description

1. White Male Bullet Plug
2. Black Female Bullet Plug
3. Black Male Bullet Plug
4. Green Connector
5. Yellow Connector
6. Black Ring Connector
7. Red Ring Connector
8. Black Connector
9. Red Connector
10. Out Post
11. In Post
12. Left Spade
13. Right Spade
14. Black Connector
15. White Connector
16. Black Male Bullet Plug
17. Black Female Bullet Plug
18. White Female Bullet Plug



Solenoid Connections

- Connect Red Ring ⑦ to In Post ⑪.
- Connect Black Ring ⑥ to Out Post ⑩.
- Connect Green Connector ④ to Left Spade ⑫.
- Connect Yellow Connector ⑤ to Right Spade ⑬.

Relay Module Connections

- Connect White Male Bullet ① to White Female Bullet ⑱.
- Connect Black Female Bullet ② to Black Male Bullet ⑰.
- Connect Black Male Bullet ③ to Black Female Bullet ⑲.

Encoder Wire Connections

- Connect Black Connector ⑧ to Black Connector ⑭.
- Connect Red Connector ⑨ to Black White Connector ⑮.